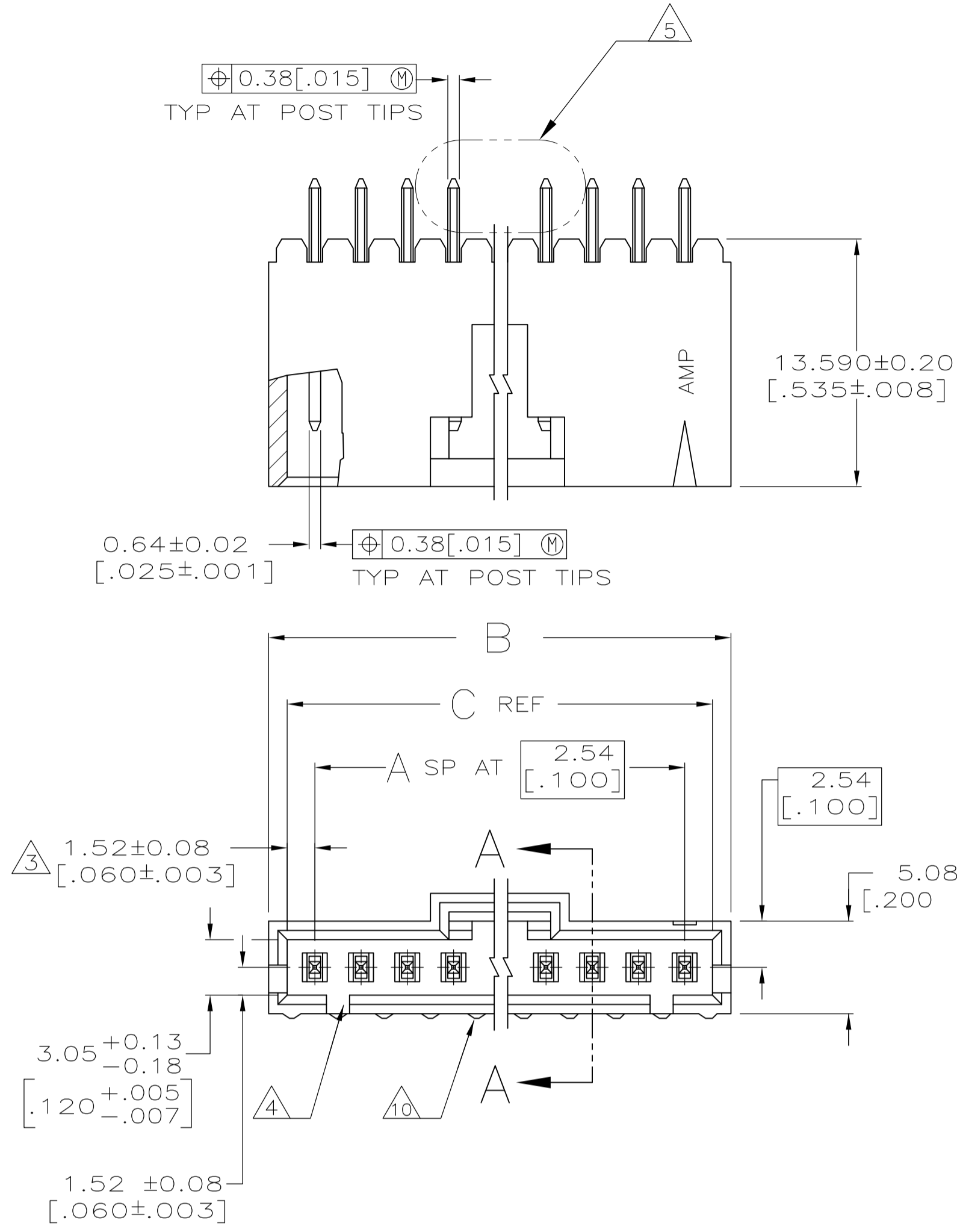
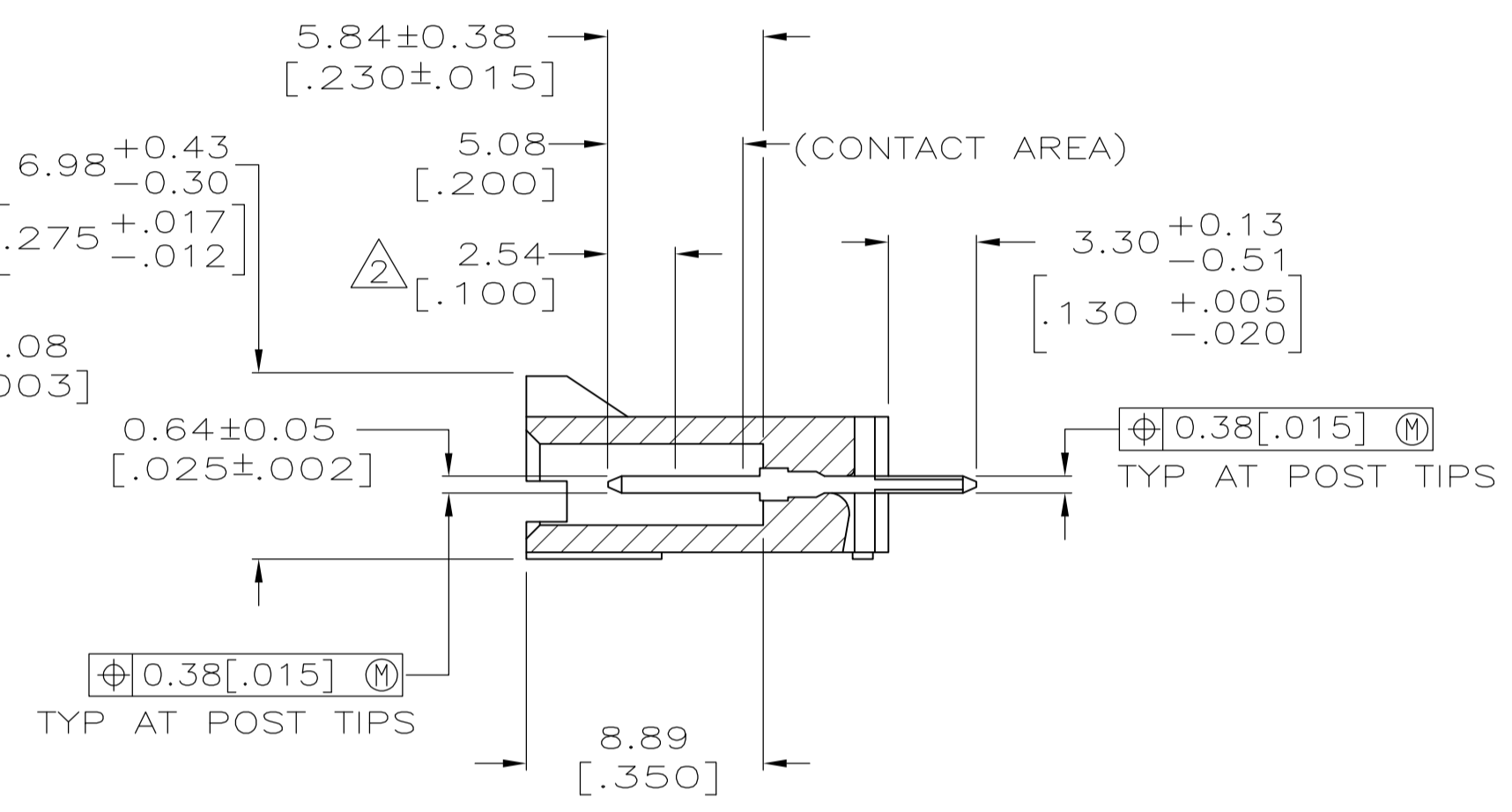


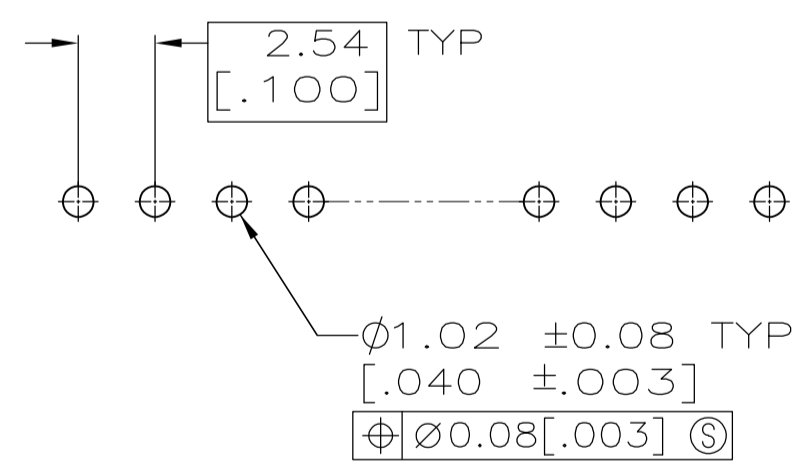
REVISIONS						
P	LTR	DESCRIPTION	DATE	DMN	APVD	
AA2	REVISED PER ECO-11-004587		11MAR11	RK	HMR	
AB	REVISED PER ECO-17-002209		11APR2017	RS	MM	



DETAIL Z
POST DETAIL TYP
2 POST MINIMUM



SECTION A-A



RECOMMENDED HOLE LAYOUT

- 1. .000100 BRIGHT TIN-LEAD OVER .000050 NICKEL.
- 2. POINT OF MEASUREMENT FOR PLATING THICKNESS.
- 3. THE NOTED DIMENSIONS APPLY AT THE INTERSECTION OF THE POST AND THE HOUSING.
- 4. ON ASSEMBLIES WITH FOUR OR MORE POSITIONS, TWO POLARIZATION SLOTS. ON ASSEMBLIES WITH TWO OR THREE POSITIONS, ONE POLARIZATION SLOT.
- 5. SELECT POST TAILS FORMED TO PROVIDE CONNECTOR HOLD DOWN UNTIL SOLDERED. CONFIGURATION ACCEPTS 0.69[.027]-2.03[.080] THICK PRINTED CIRCUIT BOARD. (SEE DETAIL Z).
- 6. .000100 BRIGHT TIN OVER .000050 NICKEL.
- 7. PRELIMINARY PART - NOT RELEASED FOR PRODUCTION.
- 8. .000100 MATTE TIN OVER .000050 NICKEL.
- 9. HIGH TEMPERATURE CONFIGURATION.
- 10. STANDOFFS NOT PRESENT ON UNDERSIDE OF ASSEMBLY
- 11. OBSOLETE PARTS: OBSOLETE CIS STREAMLINING PER D.RENAUD/D.SINISI

REMARKS	PLATING	C	B	A	NO. OF POSN	PART NO.	
					8	9	3-103669-0
					2	3	2-103669-9
					5	6	2-103669-8
					4	5	2-103669-7
					3	4	2-103669-6
					1	2	2-103669-5
					24	25	2-103669-4
					23	24	2-103669-3
					22	23	2-103669-2
					21	22	2-103669-1
					20	21	2-103669-0
					19	20	1-103669-9
					18	19	1-103669-8
					17	18	1-103669-7
					16	17	1-103669-6
					15	16	1-103669-5
					14	15	1-103669-4
					13	14	1-103669-3
					12	13	1-103669-2
					11	12	1-103669-1
					10	11	1-103669-0
					9	10	103669-9
					8	9	103669-8
					7	8	103669-7
					6	7	103669-6
					5	6	103669-5
					4	5	103669-4
					3	4	103669-3
					2	3	103669-2
					1	2	103669-1

THIS DRAWING IS A CONTROLLED DOCUMENT.

DIMENSIONS: INCHES	TOLERANCES UNLESS OTHERWISE SPECIFIED:	DIN S. SHUEY 3-5-91	APVD M. RIDER 2-14-92	NAME
0 PLC ± -	1 PLC ± ± 0.13[.005]	CHK: M. RIDER 2-14-92	DATE: 2-14-92	PRODUCT SPEC
2 PLC ± ±	3 PLC ± ±	APVD M. RIDER 2-14-92	DATE: 2-14-92	APPLICATION SPEC
4 PLC ± ±	ANGLES ± ±	SIZE	CODE	DRAWING NO
MATERIAL HOUSING: LCP	FINISH SEE TABLE	WEIGHT	SCALE	RESTRICTED TO

STE TE Connectivity


HDR ASSY, VERT, SINGLE ROW
2.54 [100] C/L 0.64 [025] SQ POST
WITH PLZN, AMPMODU MTE

108-25034
114-25026
A1 00779 103669

CUSTOMER DRAWING SCALE 4:1 SHEET 1 OF 2 REV AB

REVISIONS					
P	LYR	DESCRIPTION	DATE	DMN	APVD
-		SEE SHEET 1	-	-	-

OBSOLETE △11	△9/10	△8	64.01 [2.520]	65.91 [2.595]	24	25	7-103669-4
	△9/10	△8	61.47 [2.420]	63.37 [2.495]	23	24	7-103669-3
	△9/10	△8	58.93 [2.320]	60.83 [2.395]	22	23	7-103669-2
	△9/10	△8	56.39 [2.220]	58.29 [2.295]	21	22	7-103669-1
	△9/10	△8	53.85 [2.120]	55.75 [2.195]	20	21	7-103669-0
	△9/10	△8	51.31 [2.020]	53.21 [2.095]	19	20	6-103669-9
	△9/10	△8	48.77 [1.920]	50.67 [1.995]	18	19	6-103669-8
	△9/10	△8	46.23 [1.820]	48.13 [1.895]	17	18	6-103669-7
	△9/10	△8	43.69 [1.720]	45.59 [1.795]	16	17	6-103669-6
	△9/10	△8	41.15 [1.620]	43.05 [1.695]	15	16	6-103669-5
OBSOLETE △11	△9/10	△8	38.61 [1.520]	40.51 [1.595]	14	15	6-103669-4
	△9/10	△8	36.07 [1.420]	37.97 [1.495]	13	14	6-103669-3
	△9/10	△8	33.53 [1.320]	35.43 [1.395]	12	13	6-103669-2
	△9/10	△8	30.99 [1.220]	32.89 [1.295]	11	12	6-103669-1
	△9/10	△8	28.45 [1.120]	30.35 [1.195]	10	11	6-103669-0
	△9/10	△8	25.91 [1.020]	27.81 [1.095]	9	10	5-103669-9
	△9/10	△8	23.37 [.920]	25.27 [.995]	8	9	5-103669-8
	△9/10	△8	20.83 [.820]	22.73 [.895]	7	8	5-103669-7
	△9/10	△8	18.29 [.720]	20.19 [.795]	6	7	5-103669-6
	△9/10	△8	15.75 [.620]	17.65 [.695]	5	6	5-103669-5
	△9/10	△8	13.21 [.520]	15.11 [.595]	4	5	5-103669-4
	△9/10	△8	10.67 [.420]	12.57 [.495]	3	4	5-103669-3
	△9/10	△8	8.13 [.320]	10.03 [.395]	2	3	5-103669-2
	△9/10	△8	5.59 [.220]	7.49 [.295]	1	2	5-103669-1
REMARKS	PLATING	C	B	A	NO. OF POSN	PART NO.	

THIS DRAWING IS A CONTROLLED DOCUMENT.		DMN S. SHUEY 3-5-91	 TE Connectivity
DIMENSIONS: INCHES		CHK M. RIDER 2-14-92	
TOLERANCES UNLESS OTHERWISE SPECIFIED:		APVD M. RIDER 2-14-92	NAME
0. PLC ± - 1. PLC ± - 2. PLC ± 0.13[.005] 3. PLC ± - 4. PLC ± - ANGLES ± -		PRODUCT SPEC 108-25034	HDR ASSY, VERT, SINGLE ROW 2.54 [.100] C/L 0.64 [.025] SQ POST WITH PLZN, AMPMODU MTE
MATERIAL HOUSING: LCP		APPLICATION SPEC 114-25026	SIZE A1
FINISH SEE TABLE		WEIGHT -	CAGE CODE DRAWING NO 00779 103669
		CUSTOMER DRAWING	RESTRICTED TO SCALE 4:1 SHEET 2 OF 2 REV AB

Mouser Electronics

Authorized Distributor

Click to View Pricing, Inventory, Delivery & Lifecycle Information:

[TE Connectivity:](#)

[103669-1](#)