

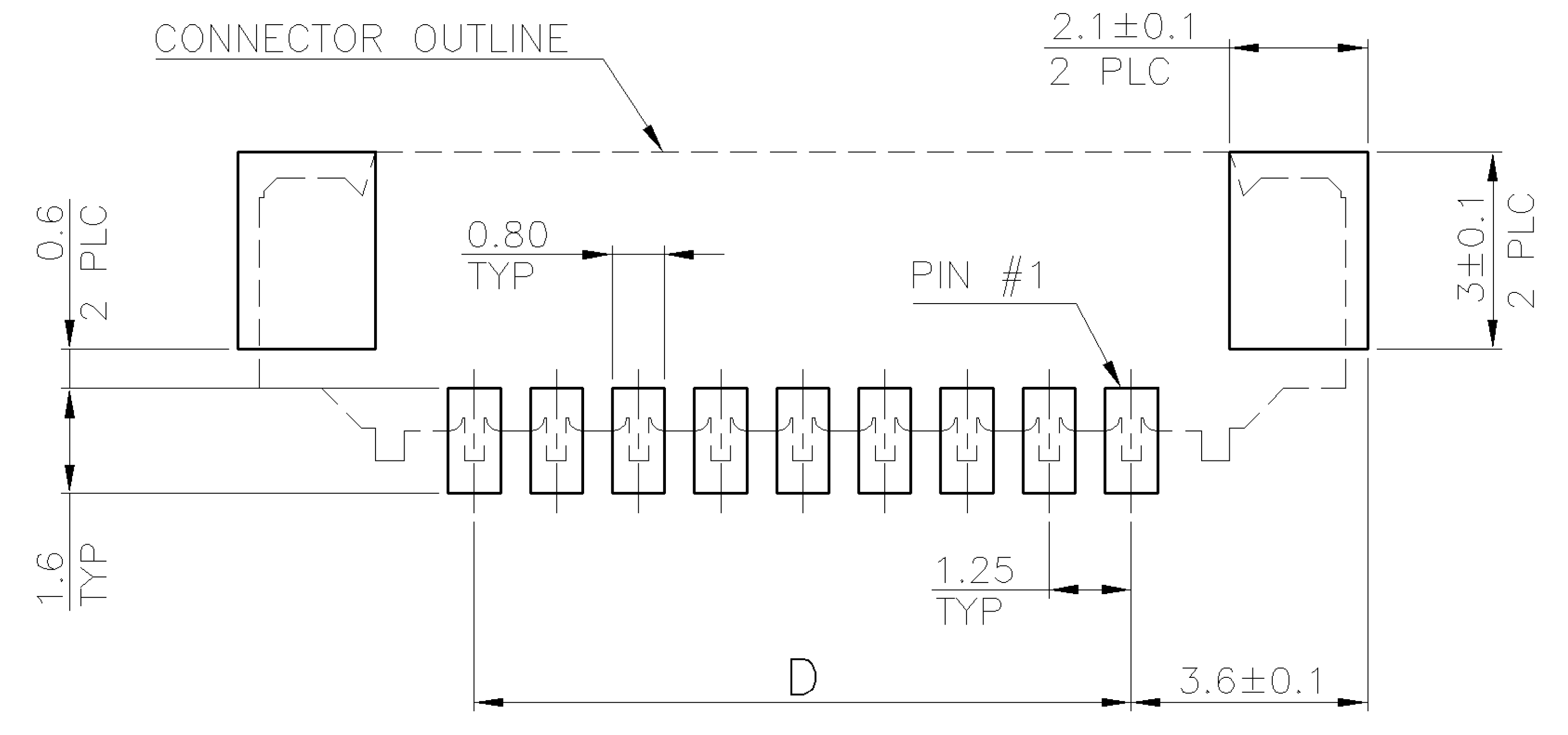
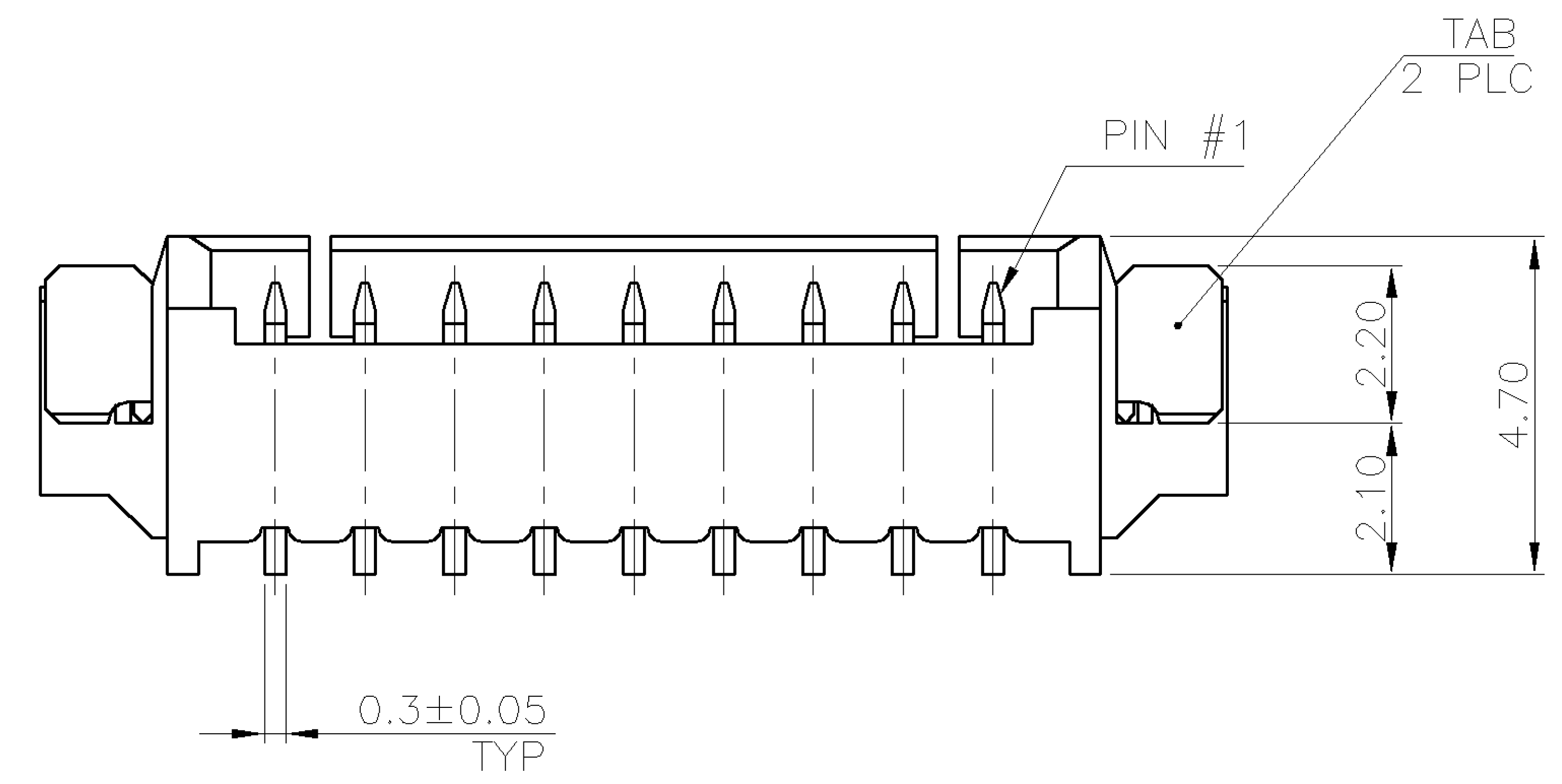
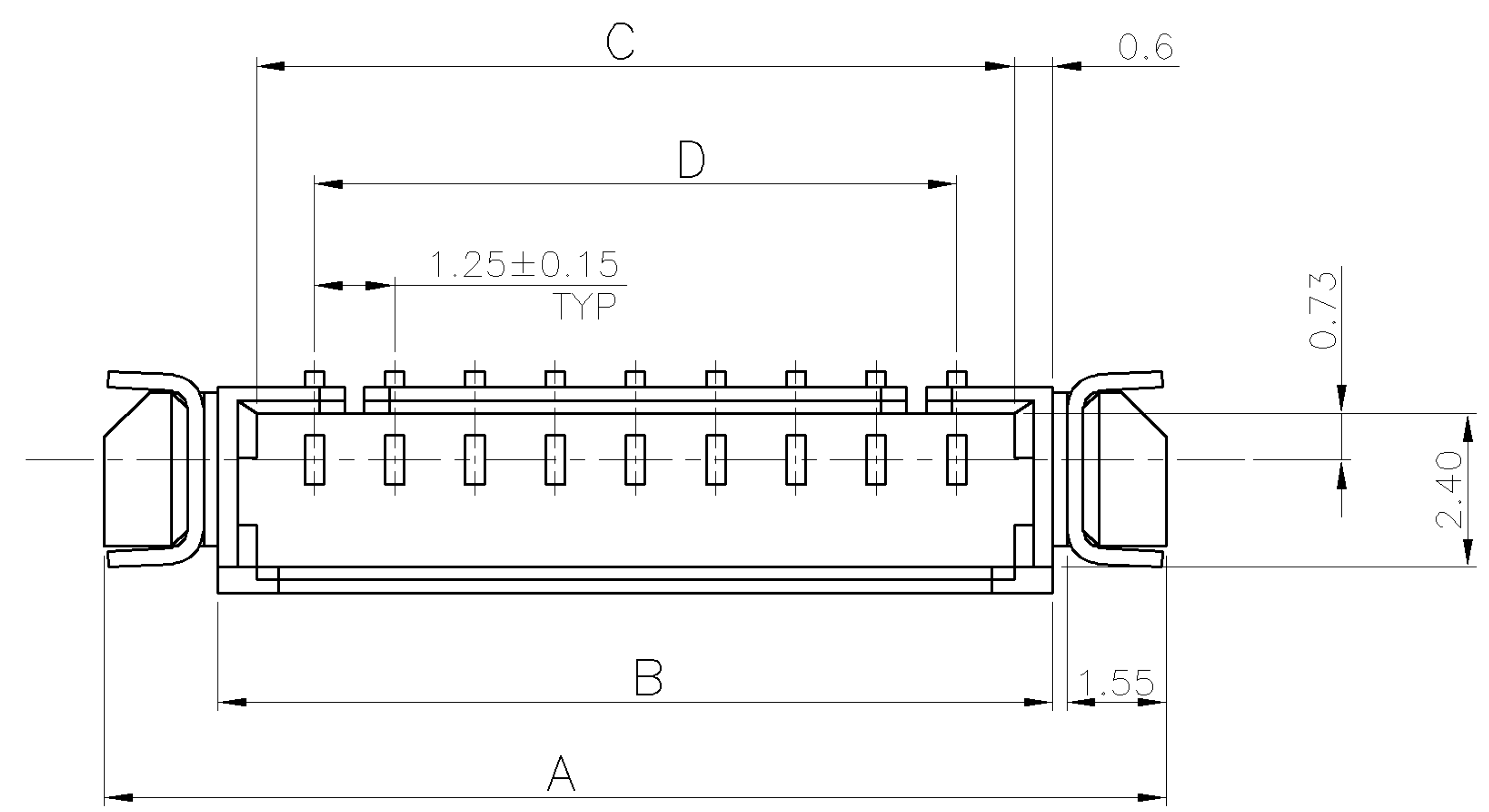
NUMBER
C-1734261

3RD ANGLE PROJECTION

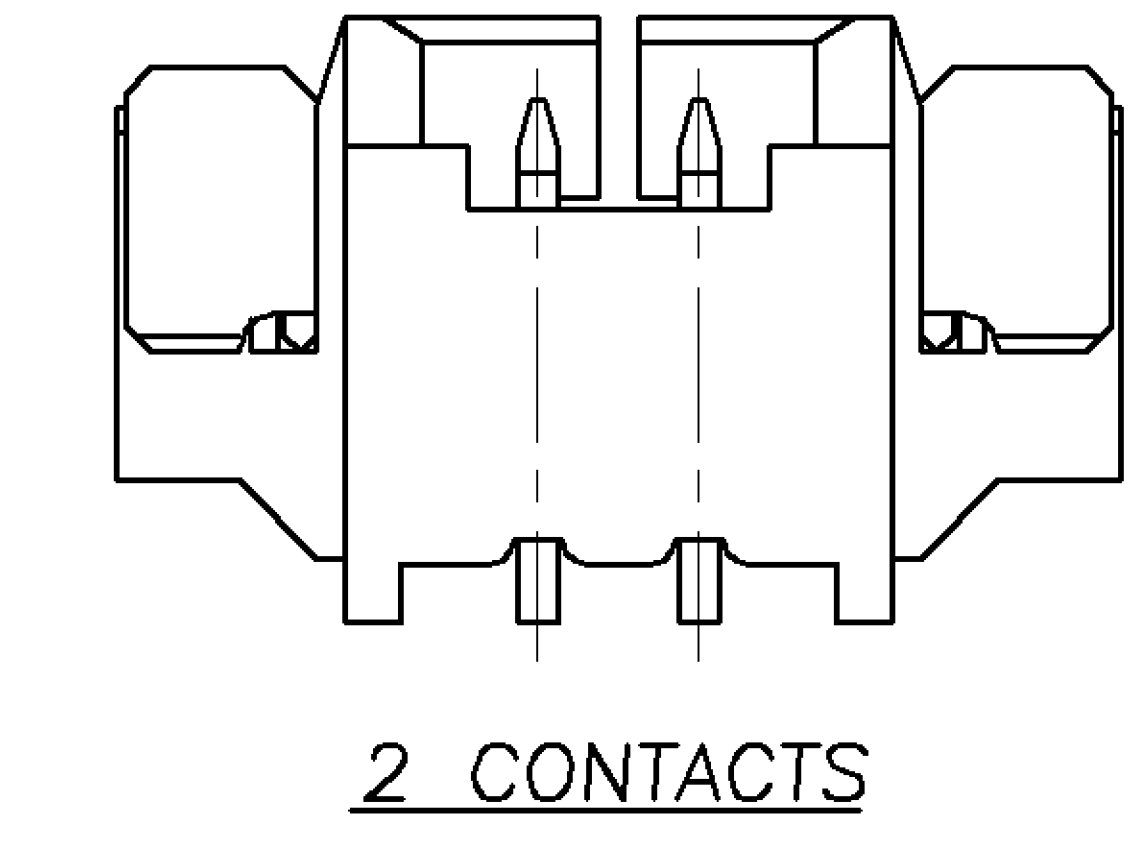
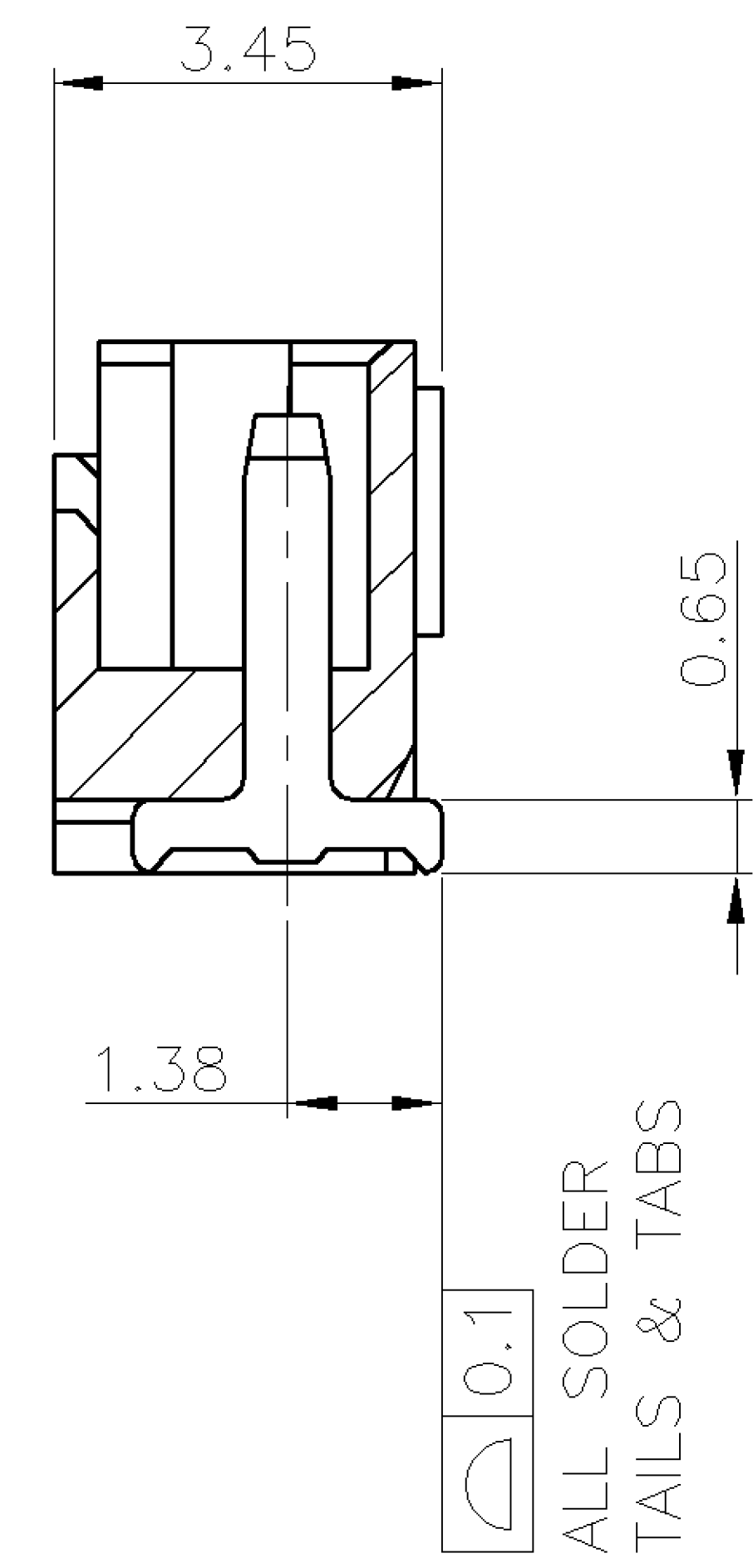
METRIC

DIMENSIONS IN MILLIMETERS. DO NOT SCALE PRINT.

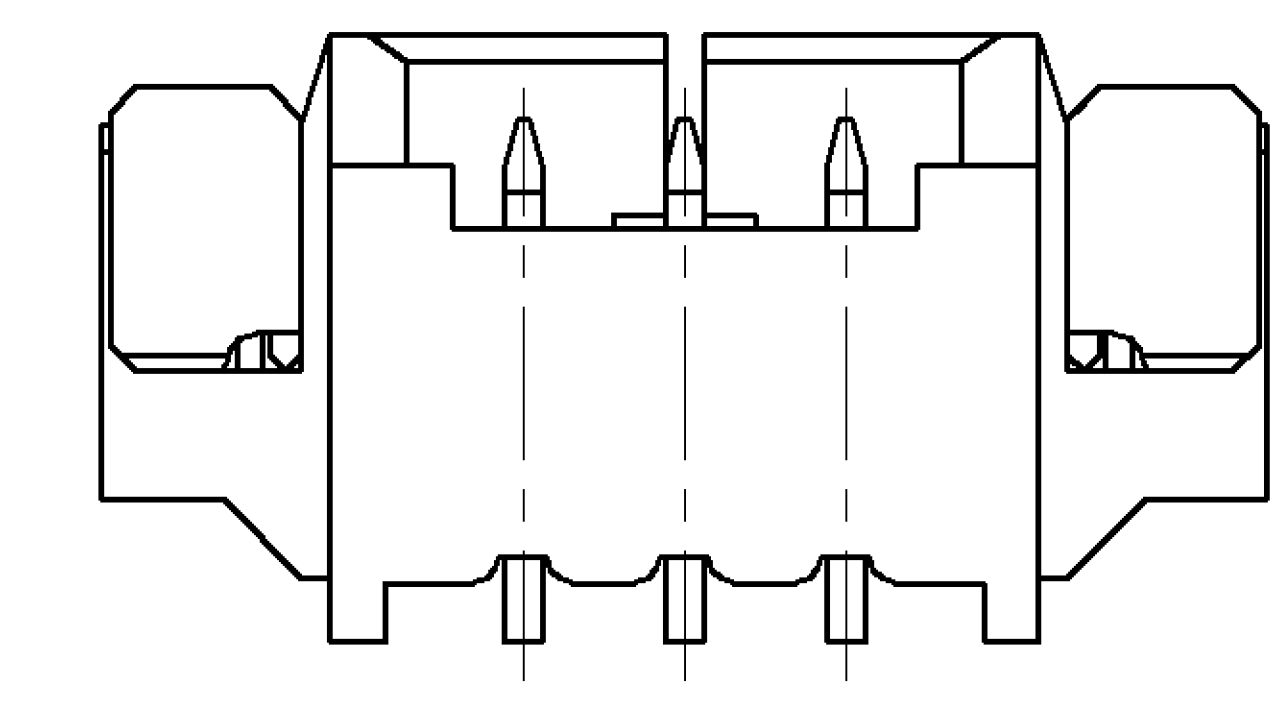
PRINT
DW



RECOMMENDED PC BOARD LAYOUT
(TOLERANCE: ±0.05)



2 CONTACTS



3 CONTACTS

0.762µm [30µ"] MIN. GOLD	17.50	19.30	20.50	24.04	15	4-1734261-5
	16.25	18.05	19.25	22.79	14	4-1734261-4
	15.00	16.80	18.00	21.54	13	4-1734261-3
	13.75	15.55	16.75	20.29	12	4-1734261-2
	12.50	14.30	15.50	19.04	11	4-1734261-1
	11.25	13.05	14.25	17.79	10	4-1734261-0
	10.00	11.80	13.00	16.54	9	3-1734261-9
	8.75	10.55	11.75	15.29	8	3-1734261-8
	7.50	9.30	10.50	14.04	7	3-1734261-7
	6.25	8.05	9.25	12.79	6	3-1734261-6
	5.00	6.80	8.00	11.54	5	3-1734261-5
	3.75	5.55	6.75	10.29	4	3-1734261-4
	2.50	4.30	5.50	9.04	3	3-1734261-3
	1.25	3.05	4.25	7.79	2	3-1734261-2
	2.54µm [100µ"] MIN. MATTE-TIN	17.50	19.30	20.50	24.04	15
16.25		18.05	19.25	22.79	14	1-1734261-4
15.00		16.80	18.00	21.54	13	1-1734261-3
13.75		15.55	16.75	20.29	12	1-1734261-2
12.50		14.30	15.50	19.04	11	1-1734261-1
11.25		13.05	14.25	17.79	10	1-1734261-0
10.00		11.80	13.00	16.54	9	1734261-9
8.75		10.55	11.75	15.29	8	1734261-8
7.50		9.30	10.50	14.04	7	1734261-7
6.25		8.05	9.25	12.79	6	1734261-6
5.00		6.80	8.00	11.54	5	1734261-5
3.75		5.55	6.75	10.29	4	1734261-4
2.50		4.30	5.50	9.04	3	1734261-3
1.25		3.05	4.25	7.79	2	1734261-2

CONTACT PLATING	D	C	B	A	NO. OF CONTACTS	PART NUMBER
	DIMENSION					

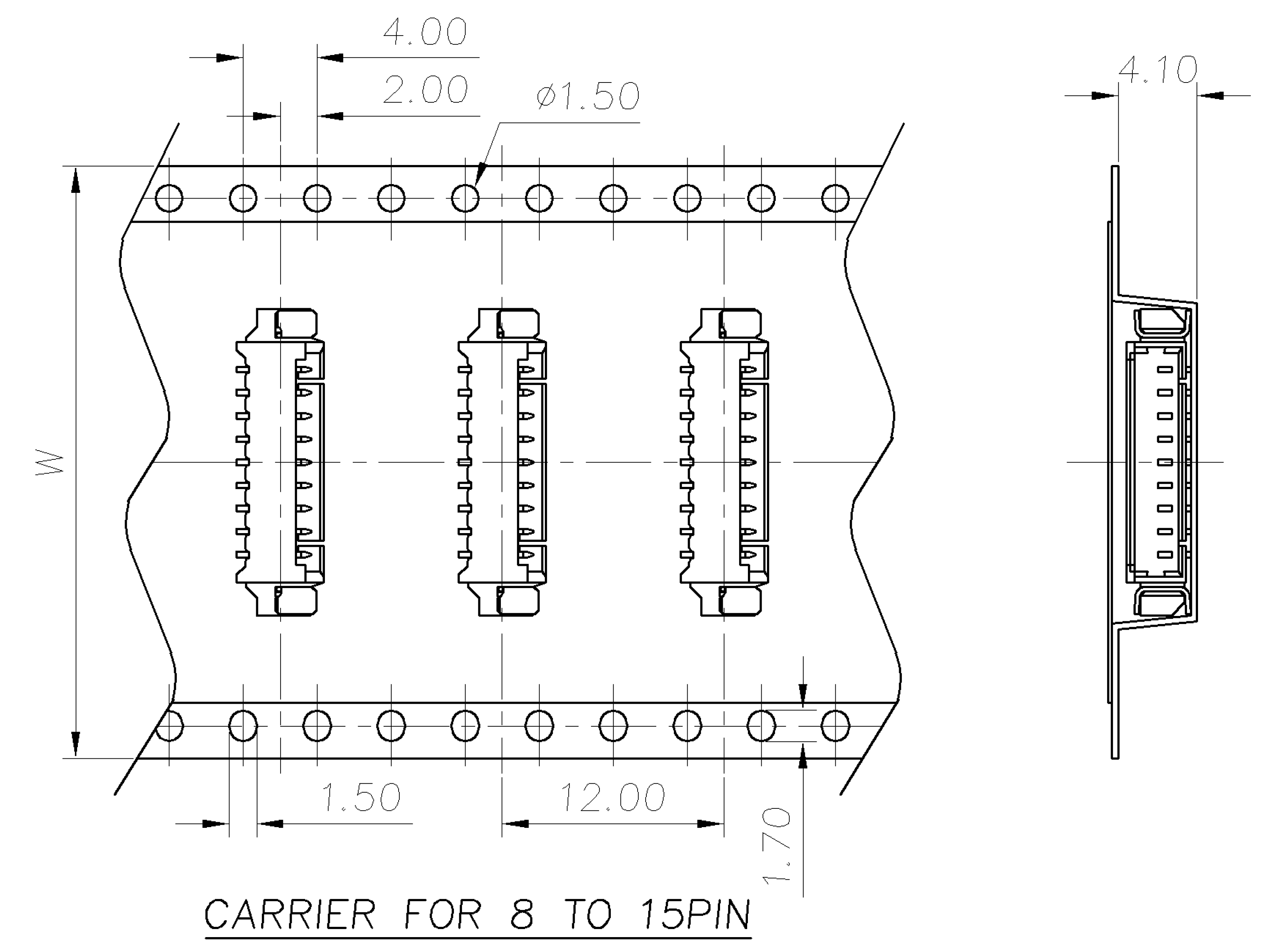
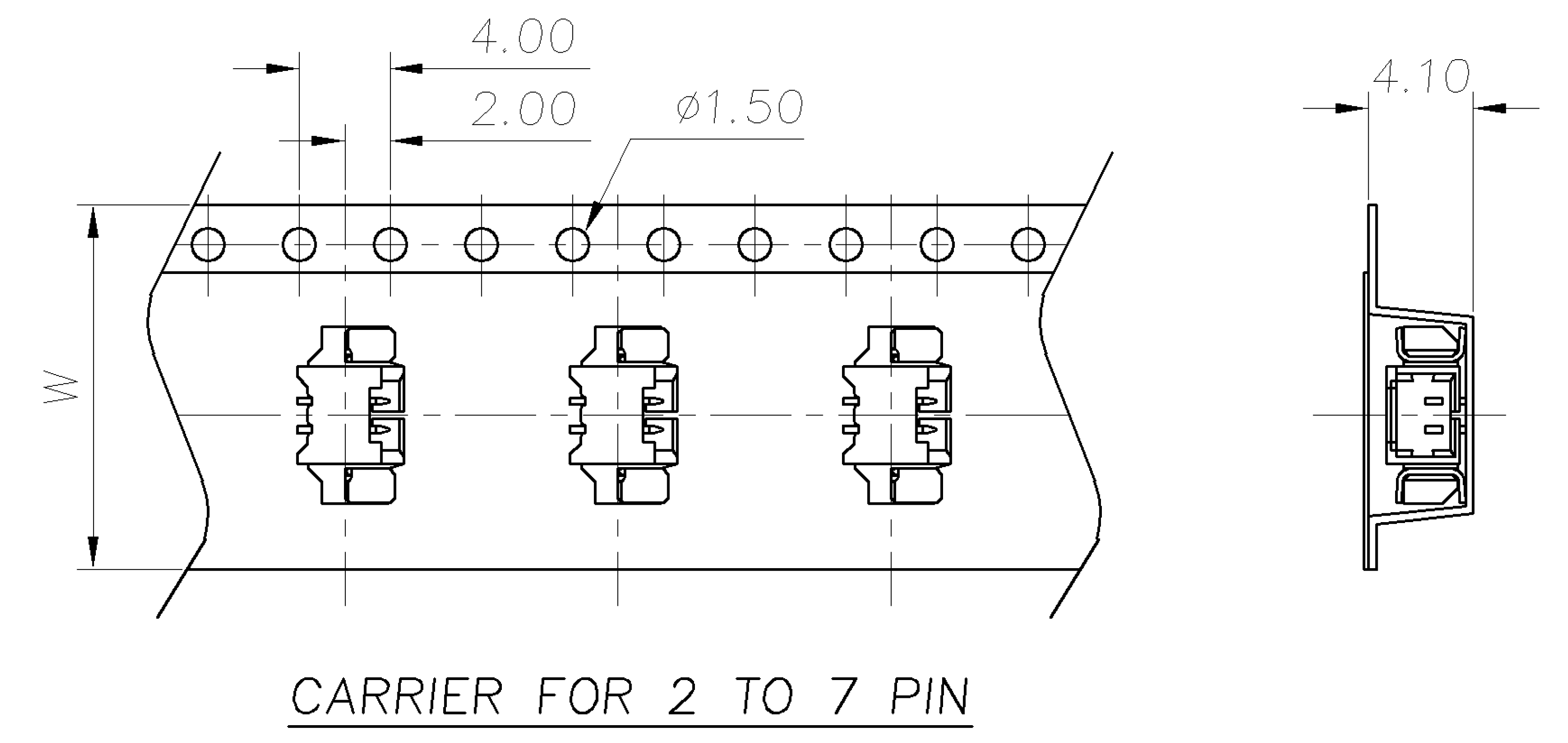
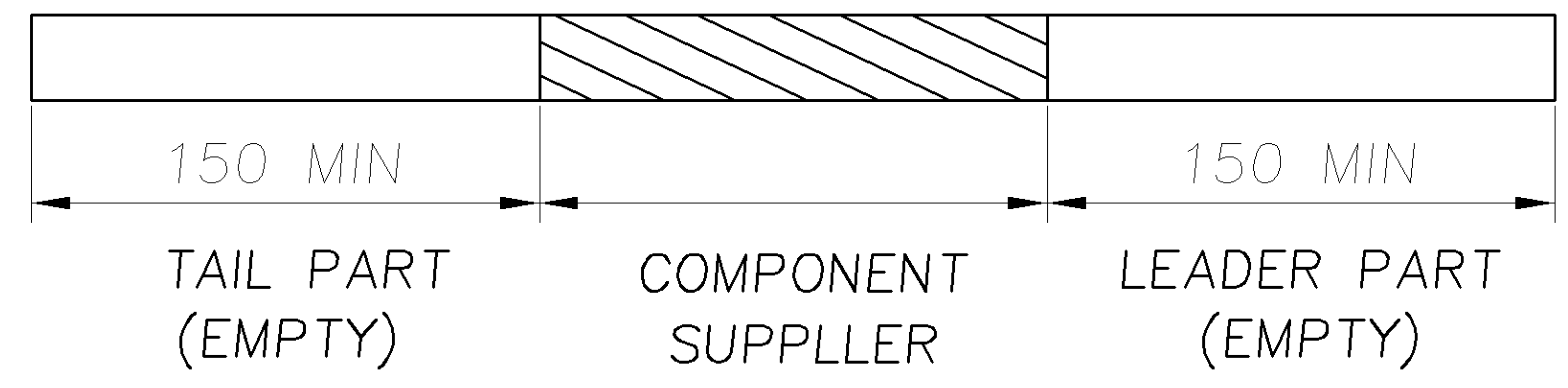
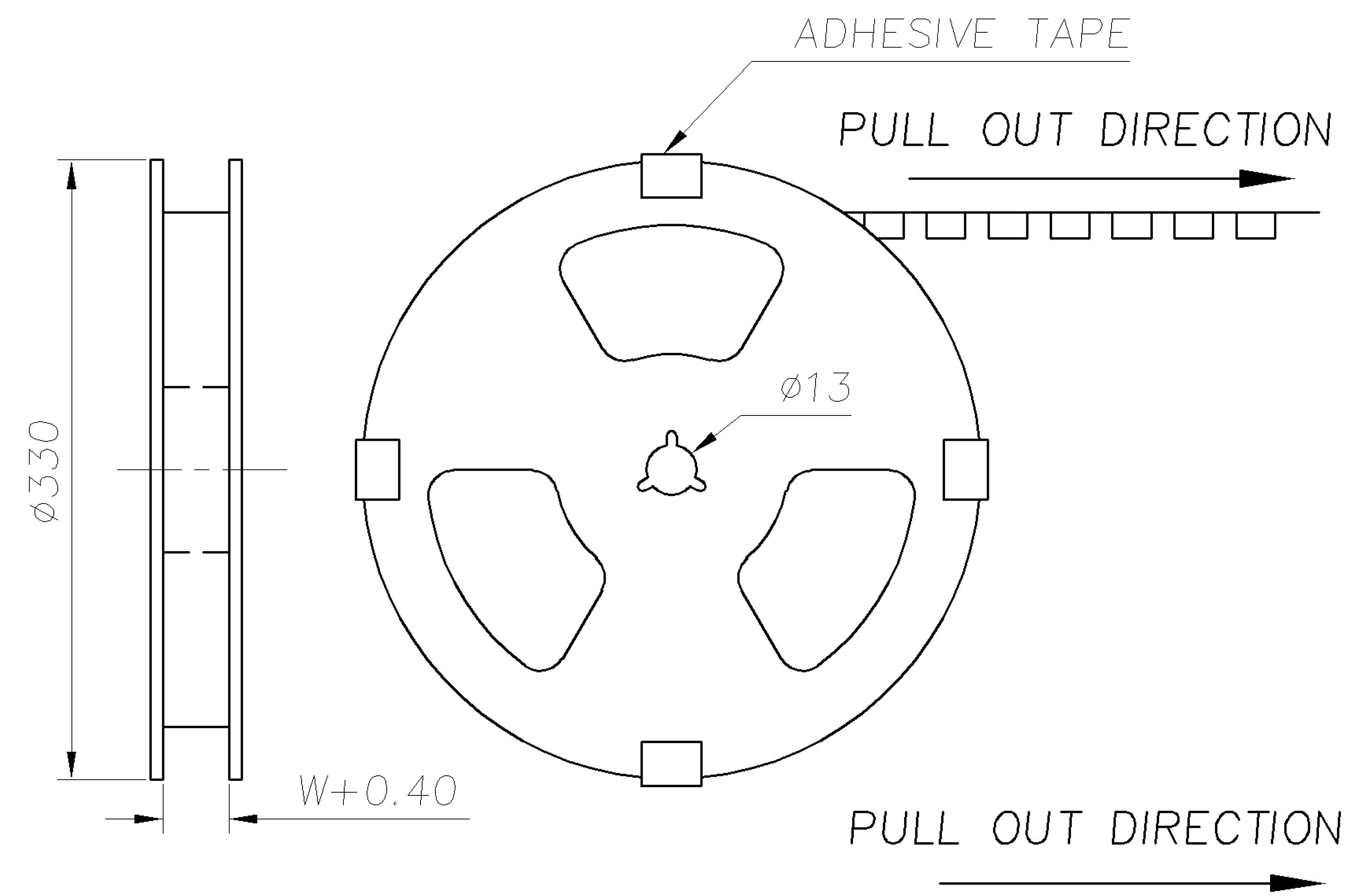
NOTE:

- MATERIAL:
HOUSING: HIGH TEMP. THERMOPLASTIC, UL 94V-0, COLOR: NATURAL.
CONTACTS: PHOSPHOR BRONZE.
TAB: PHOSPHOR BRONZE.
- FINISH:
CONTACTS: (SEE TABLE) OVER 50µ" MIN. NICKEL PLATED.
TAB: 100µ" MIN. MATTE-TIN OVER 50µ" MIN. NICKEL PLATED.
- NO TYCO LOGO AND DATE CODE ON THE PRODUCT.
- LOCKING WINDOW:
ONE PLACE FOR 2 AND 3 CONTACTS,
TWO PLACES FOR MORE THAN 3 CONTACTS.
- RECOMMENDED PART NUMBER OF CABLE ASSEMBLY:
HOUSING: X-440146-X
CONTACT: 440147-X

A1	REVISED PER ECO-11-005301	RK HMR	02APR11	
LTR	REVISION RECORD	ECO	DWN CHK	DATE

TOLERANCES UNLESS OTHERWISE SPECIFIED: 0 PLC ±- 1 PLC ±0.38 2 PLC ±0.25 3 PLC ±- ANGLES ±3'	DWN A. WU 02-DEC-2005
MATERIAL SEE NOTE	CHK S. HOU 02-DEC-2005
FINISH SEE NOTE	APVD W.J. KE 02-DEC-2005
	PRODUCT SPEC 108-57273
	QUALIFICATION TEST REPORT 501-57299
	WEIGHT -

STE TE Connectivity			
NAME WIRE TO BOARD MALE HEADER, 1.25 MM PITCH, SMT, RIGHT ANGLE TYPE			
LOC DW	SIZE A ₃	DRAWING NO C-1734261	REV A ₁
SCALE --		SHEET 1 OF 2	



DIMENSIONS IN MILLIMETERS. DO NOT SCALE PRINT.

4000	1000	4	44.0	15
				14
6000	1000	6	32.0	13
				12
				11
				10
				9
				8
7000	1000	7	24.0	7
				6
				5
				4
10000	1000	10	16.0	3
				2
QUANTITY	PCS/REEL	REELS/CARTON	DIM. W	NO. OF CONTACTS

NOTE:
 1. CARTON DIMENSIONS: 340 X 340 X 250

TOLERANCES UNLESS OTHERWISE SPECIFIED: 0 PLC ±- 1 PLC ±- 2 PLC ±- 3 PLC ±- ANGLES ±-	DWN	A. WU	TE Connectivity NAME WIRE TO BOARD MALE HEADER, 1.25 MM PITCH, SMT, RIGHT ANGLE TYPE		
	CHK	S. HOU			
MATERIAL	APVD	W.J. KE	LOC	SIZE	DRAWING NO
	PRODUCT SPEC		DW	A ₃	C-1734261
FINISH	APPLICATION SPEC		SCALE		REV
	WEIGHT				A1
			SHEET		2 OF 2

LTR	REVISION RECORD	SEE SHEET 1.	ECO	DWN	CHK	DATE
-----	-----------------	--------------	-----	-----	-----	------

Mouser Electronics

Authorized Distributor

Click to View Pricing, Inventory, Delivery & Lifecycle Information:

[TE Connectivity:](#)

[1-1734261-2](#)