

THIS DRAWING IS UNPUBLISHED. RELEASED FOR PUBLICATION
 © COPYRIGHT - By - ALL RIGHTS RESERVED.

REVISIONS				
P	LTR	DESCRIPTION	DATE	APVD
T5		PART STATUS UPDATED	22JAN2018	RK PS

PHYSICAL PROPERTIES:
 HOUSING MATERIAL: PBT
 FLAMMABILITY: UL94V-0
 COLOR: BLACK
 MAX BOW/WARP: .0056 IN/IN.

MECHANICAL:
 PITCH (TERMINAL SPACING): .563"
 WIRE RANGE: 10-22 AWG
 RECOMMENDED TIGHTENING TORQUE: 14IN-LBS MAX.

TERMINAL:
 TERMINALS: BRASS, TIN PLATED. (UNLESS OTHERWISE STATED)
 SCREWS: 8-32 STEEL, NICKEL PLATED. (UNLESS OTHERWISE STATED)
 Q.C. TABS: BRASS, NICKEL PLATED.

ELECTRICAL PROPERTIES:
 MAXIMUM CURRENT: 30A
 OPERATING VOLTAGE: 300V

ENVIRONMENTAL PROPERTIES:
 OPERATING TEMP RANGE: -40°C TO 120°C

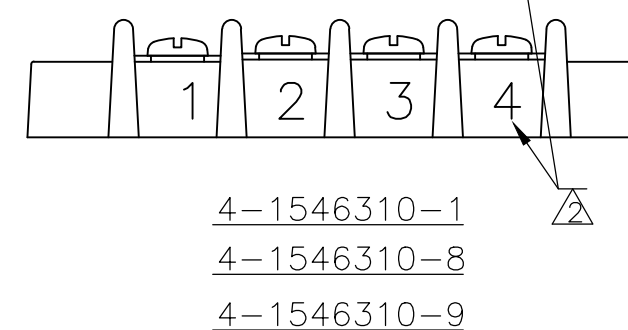
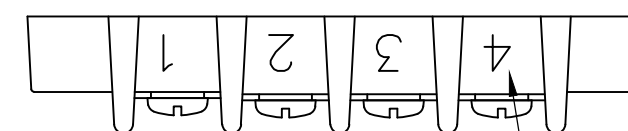
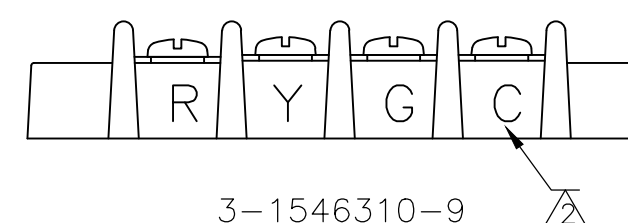
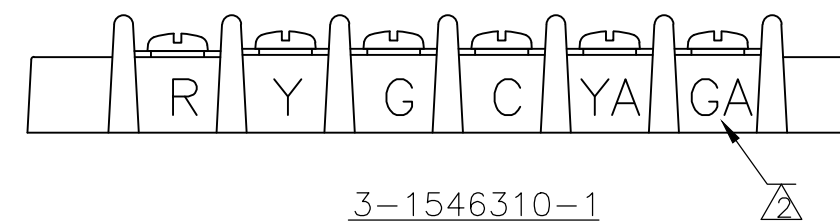
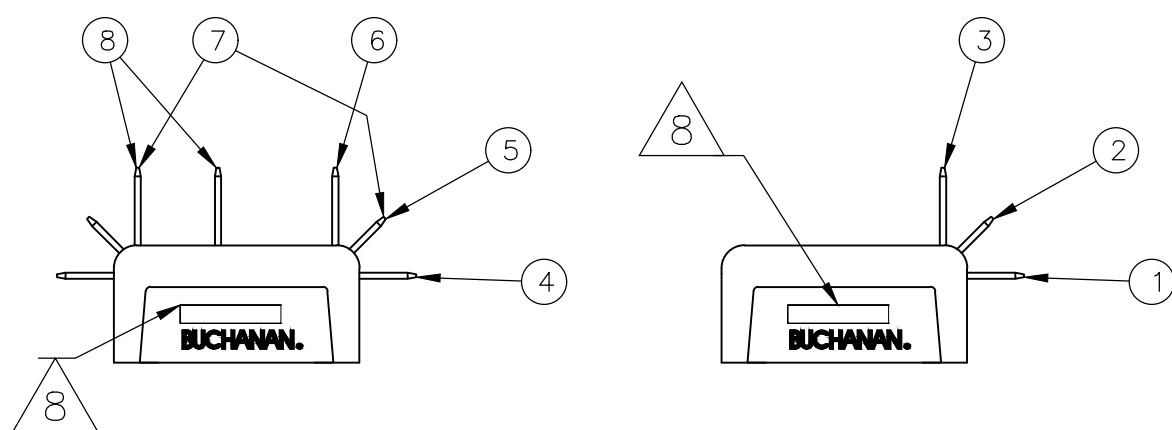
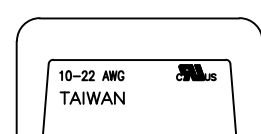
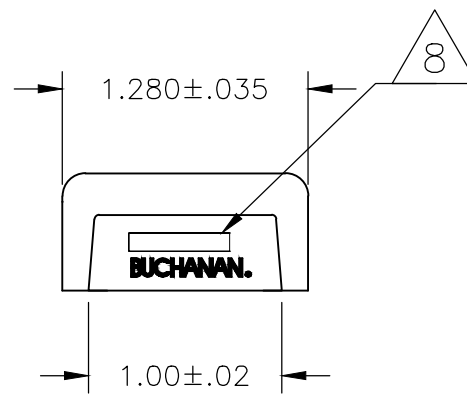
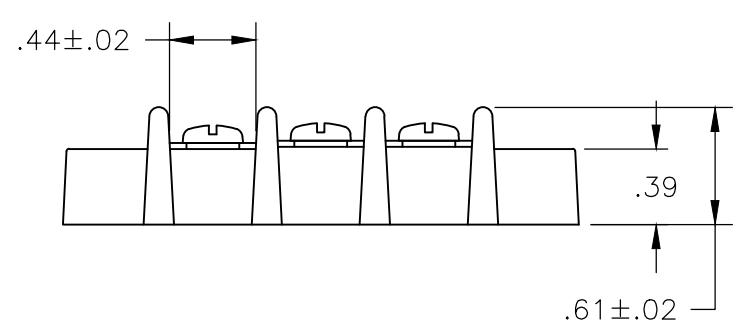
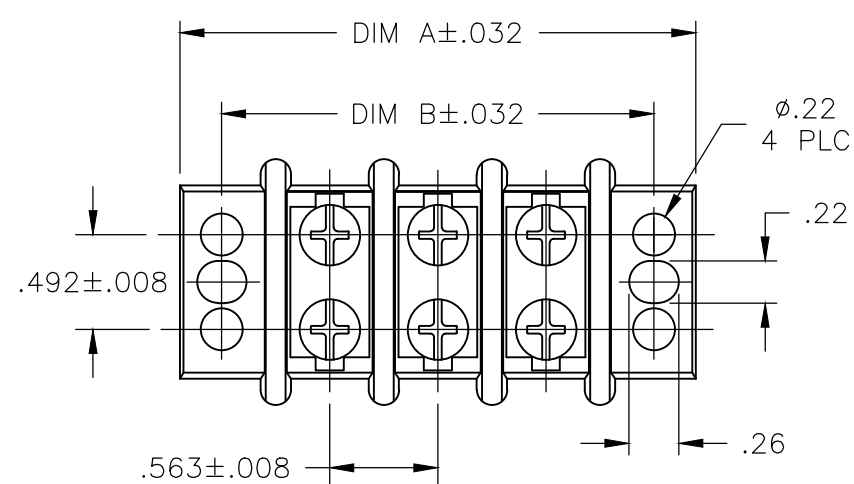
- △ STAINLESS STEEL SCREWS.
- △ WHITE INK STAMP.
- △ NICKEL PLATED BRASS TERMINALS.
- △ NICKEL PLATED BRASS SCREWS.
- △ SEE FIGURE.
- △ PRELIMINARY PART NUMBER.
- △ OBSOLETE PART NUMBER.
- △ TE CONNECTIVITY LOGO LOCATED APPROXIMATE AREA SHOWN.

△ ₆ △ ₅	-	-	-	-	-	-	-	-	-	-	7.886	8.323	13	1-1546310-3								
△ ₂ △ ₇	-	-	-	-	-	-	-	12	12	12	7.323	7.760	12	4-1546310-8								
△ ₁	-	8	-	-	-	12	12	12	-	-	7.323	7.760	12	4-1546310-7								
△ ₁	-	-	-	-	12	12	12	-	-	-	7.323	7.760	12	4-1546310-6								
△ ₁	-	-	-	-	-	-	-	-	-	-	7.323	7.760	12	1-1546310-2								
△ ₁	-	-	-	-	-	-	-	-	-	-	6.760	7.179	11	1-1546310-1								
△ ₁	-	-	-	-	-	-	-	-	-	-	6.197	6.634	10	1-1546310-0								
△ ₁	-	-	-	-	-	-	-	-	-	-	5.634	6.071	9	1546310-9								
△ ₄ △ ₇	-	-	-	-	-	-	-	-	-	-	5.071	5.508	8	4-1546310-5								
△ ₁	-	8	8	-	-	-	-	-	-	-	5.071	5.508	8	2-1546310-9								
△ ₁	-	-	-	-	-	-	-	-	-	-	5.071	5.508	8	1546310-8								
△ ₁	-	-	-	-	-	-	7	-	-	-	4.508	4.945	7	3-1546310-8								
△ ₁	-	-	-	-	-	-	-	-	-	-	4.508	4.945	7	1546310-7								
△ ₄ △ ₇	-	-	-	-	-	-	-	-	-	-	3.945	4.382	6	4-1546310-4								
△ ₄ △ ₇	-	-	-	-	-	-	-	-	-	-	3.945	4.382	6	4-1546310-3								
△ ₁	-	-	-	-	-	-	-	-	-	-	3.945	4.382	6	4-1546310-2								
△ ₅ △ ₃ △ ₂ △ ₁ △ ₁	-	-	-	-	-	-	-	-	-	-	3.945	4.382	6	3-1546310-1								
△ ₁	-	-	-	-	-	6	-	-	-	-	3.945	4.382	6	3-1546310-0								
△ ₅ △ ₄ △ ₃ △ ₁	-	6	6	-	-	-	-	-	-	-	3.945	4.382	6	2-1546310-8								
△ ₁ △ ₇	-	1	1	-	-	5	1	-	-	-	3.945	4.382	6	2-1546310-6								
△ ₁ △ ₇	-	-	-	-	-	-	-	6	-	-	3.945	4.382	6	2-1546310-3								
△ ₁ △ ₇	-	-	-	-	-	-	-	-	6	-	3.945	4.382	6	2-1546310-2								
△ ₁	-	-	-	-	-	-	-	-	6	6	3.945	4.382	6	2-1546310-1								
△ ₅ △ ₂ △ ₇	-	-	-	-	-	-	-	-	6	6	3.945	4.382	6	1546636-1								
△ ₆ △ ₁	-	-	-	6	-	-	-	-	6	-	3.945	4.382	6	1-1546310-9								
△ ₁	-	-	-	6	-	-	-	-	-	-	3.945	4.382	6	1546589-1								
△ ₁	-	-	-	-	-	-	-	-	-	-	3.945	4.382	6	1546310-6								
△ ₁	-	-	-	-	-	5	-	-	-	-	3.382	3.819	5	3-1546310-7								
△ ₅ △ ₄ △ ₃ △ ₁	-	1	1	-	-	-	-	1	-	5	3.382	3.819	5	2-1546310-7								
△ ₁	-	-	-	-	-	-	-	-	-	-	3.382	3.819	5	1546310-5								
△ ₂ △ ₆	-	-	-	-	-	-	-	-	4	4	2.819	3.256	4	5-1546310-0								
△ ₅ △ ₄ △ ₃ △ ₂ △ ₇	-	-	-	-	-	-	-	-	-	-	2.819	3.256	4	4-1546310-1								
△ ₁ △ ₄	-	-	-	-	-	-	-	-	-	-	2.819	3.256	4	4-1546310-0								
△ ₅ △ ₃ △ ₂ △ ₁ △ ₁	-	-	-	-	-	-	-	-	-	-	2.819	3.256	4	3-1546310-9								
△ ₁	-	-	-	-	-	-	-	-	-	-	2.819	3.256	4	1546310-4								
△ ₄ △ ₃ △ ₇	-	-	-	-	-	-	-	-	-	-	2.256	2.693	3	2-1546310-5								
△ ₅ △ ₁ △ ₇	-	-	-	-	-	-	-	-	3	1	2.256	2.693	3	2-1546310-4								
△ ₆ △ ₅ △ ₁	-	-	-	1	2	-	-	-	1	-	2.256	2.693	3	2-1546310-0								
△ ₁	-	-	-	-	-	-	-	-	-	-	2.256	2.693	3	1546310-3								
△ ₁	-	-	-	-	-	-	-	2	-	2	1.693	2.130	2	5-1546310-1								
△ ₁	-	-	-	-	-	-	-	-	-	-	1.693	2.130	2	1546310-2								
NOTES	⑨	OTB JUMPER	⑧	.250 QC TAB 90° DOUBLE SIDE	⑦	.250 QC TAB 90°/45° DOUBLE SIDE	⑥	.250 QC TAB 90° DOUBLE SIDE	⑤	.250 QC TAB 45° DOUBLE SIDE	④	.250 QC TAB STRAIGHT DOUBLE SIDE	③	.250 QC TAB 90° SINGLE SIDE	②	.250 QC TAB 45° SINGLE SIDE	①	.250 QC TAB STRAIGHT SINGLE SIDE	DIM B	DIM A	NO. OF POSN	PART NUMBER

THIS DRAWING IS A CONTROLLED DOCUMENT.		DWN S SCHLEGEL 16FEB2007	TE Connectivity Ltd.	
DIMENSIONS: INCHES		CHK S YODER 2/16/07	NAME 14.3 (.563) DBL ROW BARRIER STRIP W/O WASHER	
TOLERANCES UNLESS OTHERWISE SPECIFIED: 0 PLC ± - 1 PLC ± - 2 PLC ± - 3 PLC ± - 4 PLC ± - ANGLES ± -		APVD S YODER 2/16/07	DRAWING NO A2 00779 C=1546310	
MATERIAL		PRODUCT SPEC	RESTRICTED TO	
FINISH		APPLICATION SPEC	SCALE NTS SHEET 1 OF 4 REV T5	
		WEIGHT	CUSTOMER DRAWING	

THIS DRAWING IS UNPUBLISHED. RELEASED FOR PUBLICATION
 © COPYRIGHT - By - ALL RIGHTS RESERVED.

REVISIONS				
P	LTR	DESCRIPTION	DATE	APVD
-	-	SEE SHEET 1	-	-



△	-	-	-	-	-	-	2	-	2	-	1.693	2.130	-	5-1546310-1
-	-	-	-	-	-	-	-	-	-	-	10.701	11.138	18	1-1546310-8
-	-	-	-	-	-	-	-	-	-	-	10.138	10.575	17	1-1546310-7
-	-	-	-	-	-	-	-	-	-	-	9.575	10.012	16	1-1546310-6
-	-	-	-	-	-	-	-	-	-	-	9.012	9.449	15	1-1546310-5
△△△	-	-	-	-	-	-	-	-	14	14	8.449	8.886	14	4-1546310-9
-	-	-	-	-	-	-	-	-	-	-	8.449	8.886	14	1-1546310-4
NOTES	9	8	7	6	5	4	3	2	1		DIM B	DIM A	NO. OF POSN	PART NUMBER

9 OTB JUMPER

8 .250 QC TAB 90° DOUBLE SIDE

7 .250 QC TAB 90°/45° DOUBLE SIDE

6 .250 QC TAB 90° DOUBLE SIDE

5 .250 QC TAB 45° DOUBLE SIDE

4 .250 QC TAB STRAIGHT DOUBLE SIDE

3 .250 QC TAB 90° SINGLE SIDE

2 .250 QC TAB 45° SINGLE SIDE

1 .250 QC TAB STRAIGHT SINGLE SIDE

THIS DRAWING IS A CONTROLLED DOCUMENT.

DWN	S SCHLEGEL	16FEB2007
CHK	S YODER	2/16/07
APVD	S YODER	2/16/07
PRODUCT SPEC	-	-
APPLICATION SPEC	-	-
WEIGHT	-	-

TE Connectivity Ltd.

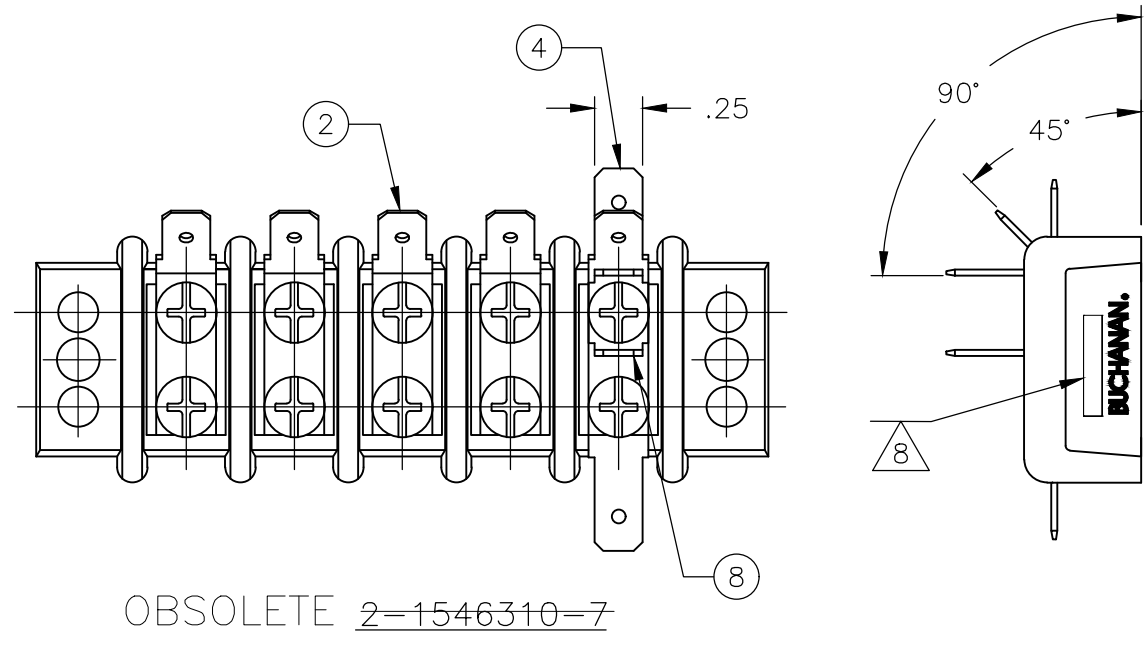
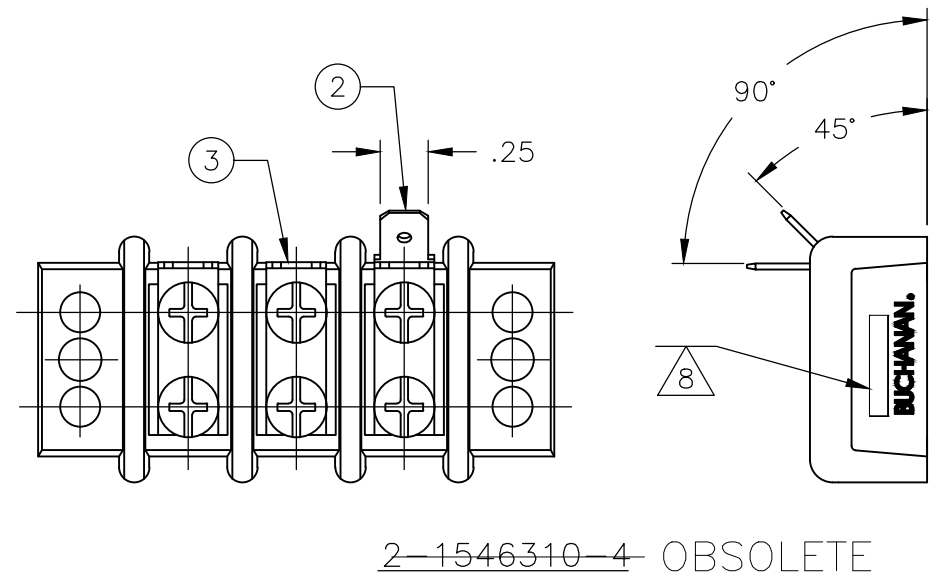
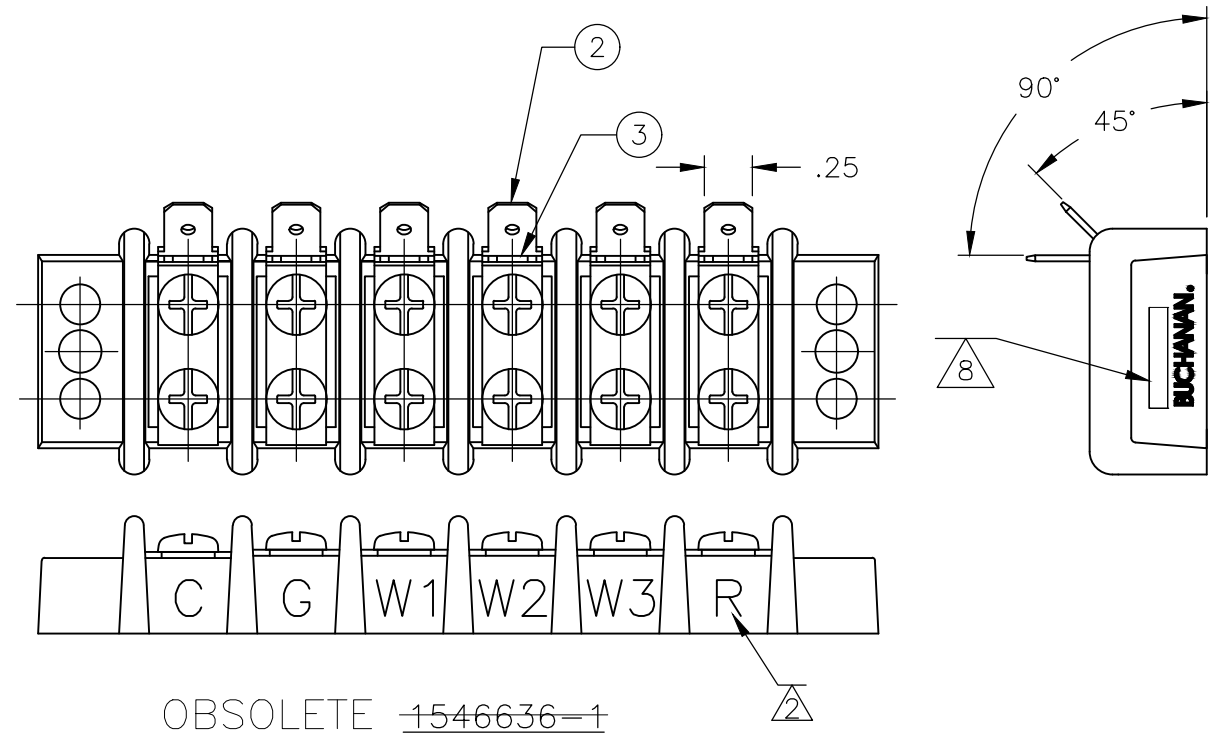
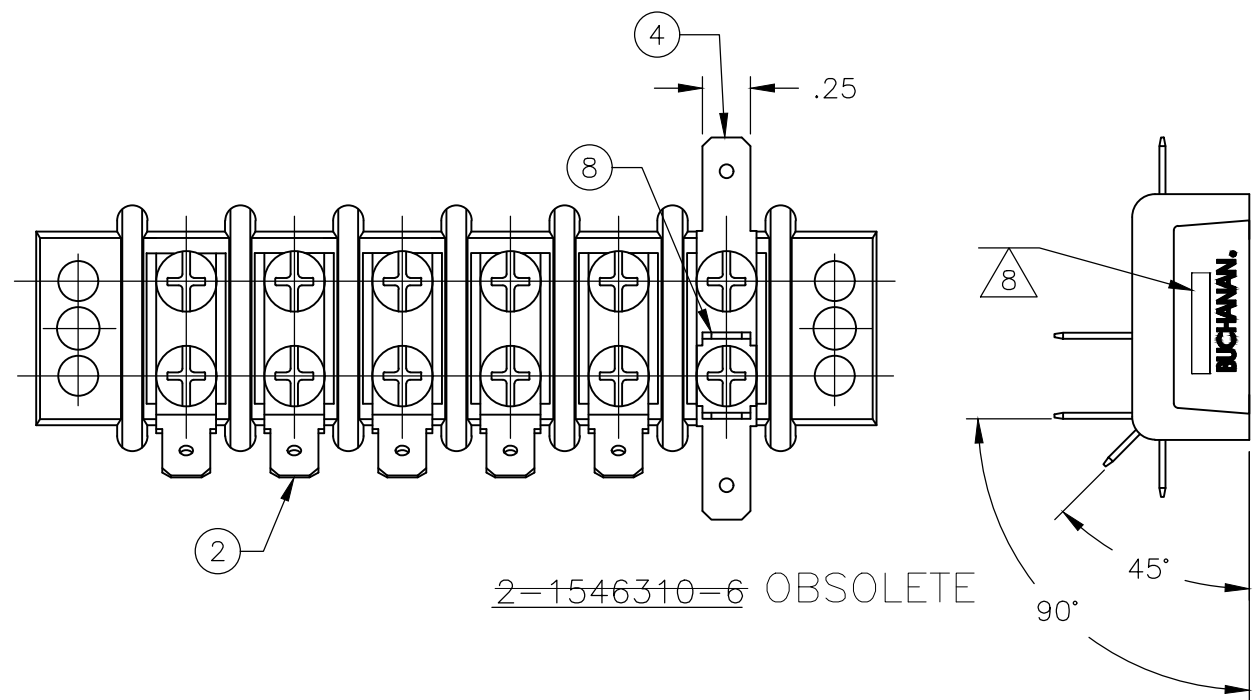
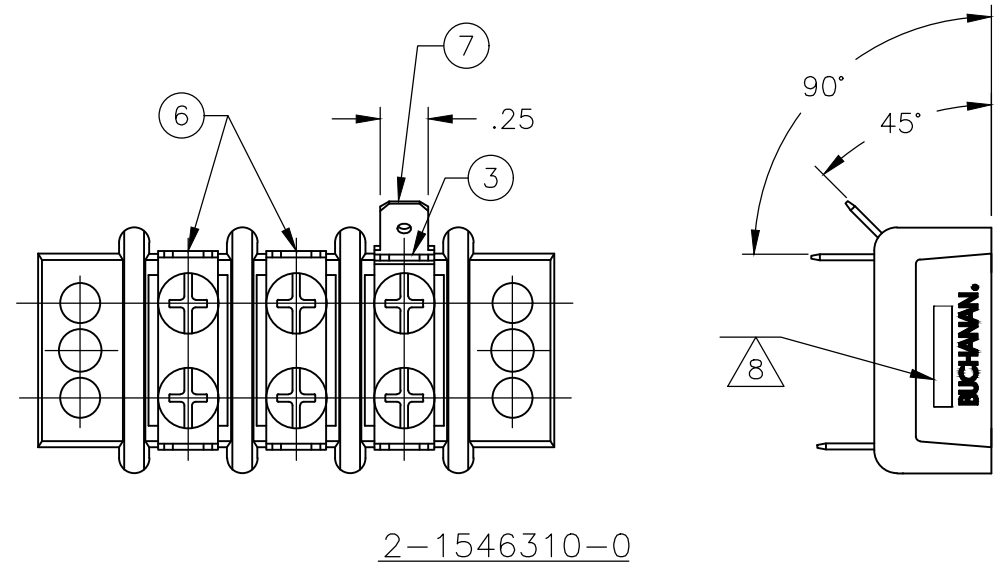
14.3 (.563) DBL ROW BARRIER STRIP W/O WASHER

SIZE: A2 CAGE CODE: 00779 DRAWING NO: C=1546310 RESTRICTED TO: -

CUSTOMER DRAWING SCALE: NTS SHEET: 2 OF 4 REV: T5

THIS DRAWING IS UNPUBLISHED. RELEASED FOR PUBLICATION
 © COPYRIGHT - By - ALL RIGHTS RESERVED.

REVISIONS					
P	LTR	DESCRIPTION	DATE	DWN	APVD
-	-	SEE SHEET 1	-	-	-

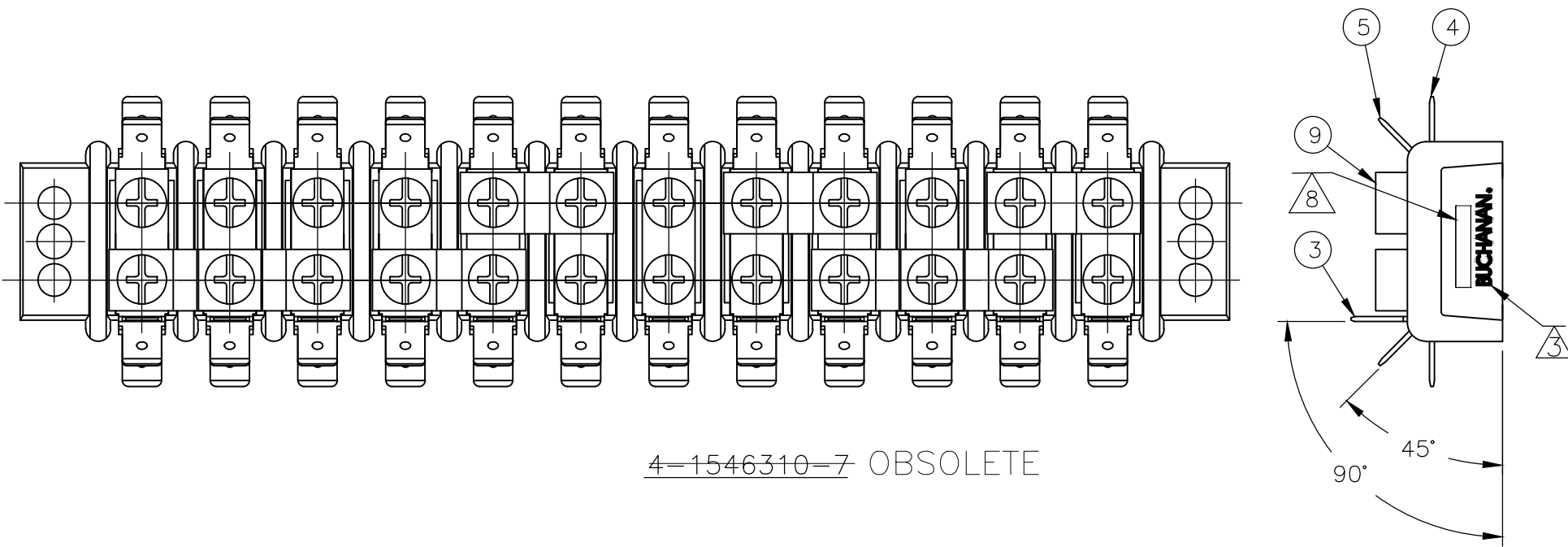


1546310

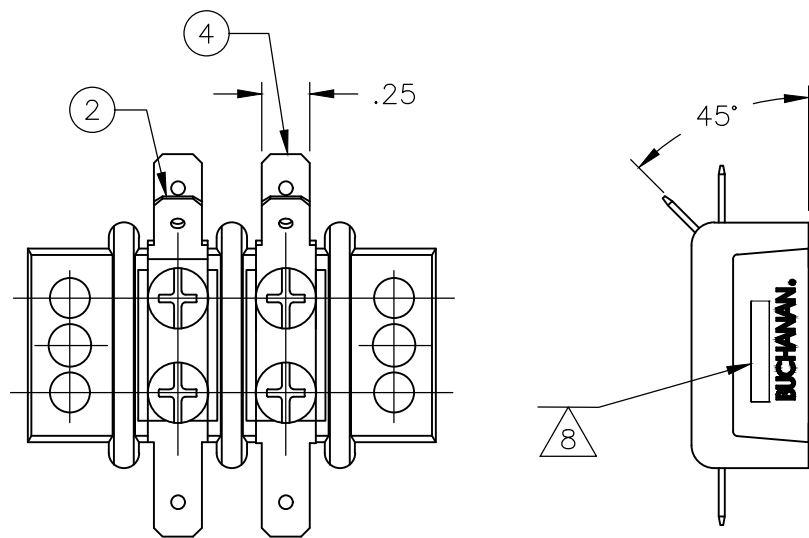
THIS DRAWING IS A CONTROLLED DOCUMENT.		DWN S SCHLEGEL 16FEB2007	TE Connectivity Ltd.	
DIMENSIONS: INCHES		CHK S YODER 2/16/07		
TOLERANCES UNLESS OTHERWISE SPECIFIED:		APVD S YODER 2/16/07	NAME 14.3 (.563) DBL ROW BARRIER STRIP W/O WASHER	
0 PLC ± - 1 PLC ± - 2 PLC ± - 3 PLC ± - 4 PLC ± - ANGLES ± -		PRODUCT SPEC -	SIZE A2	CAGE CODE 00779
MATERIAL -		FINISH -	DRAWING NO C=1546310	RESTRICTED TO -
CUSTOMER DRAWING		WEIGHT -	SCALE NTS	SHEET 3 OF 4
			REV T5	

THIS DRAWING IS UNPUBLISHED. RELEASED FOR PUBLICATION
 © COPYRIGHT - By - ALL RIGHTS RESERVED.

REVISIONS				
P	LTR	DESCRIPTION	DATE	APVD
-	-	SEE SHEET 1	-	-



4-1546310-7 OBSOLETE



5-1546310-1

THIS DRAWING IS A CONTROLLED DOCUMENT.		DWN S SCHLEGEL 16FEB2007	TE Connectivity Ltd.																			
DIMENSIONS: INCHES		CHK S YODER 2/16/07																				
TOLERANCES UNLESS OTHERWISE SPECIFIED:		APVD S YODER 2/16/07	NAME 14.3 (.563) DBL ROW BARRIER STRIP W/O WASHER																			
<table border="0"> <tr><td>0 PLC</td><td>±</td><td>-</td></tr> <tr><td>1 PLC</td><td>±</td><td>-</td></tr> <tr><td>2 PLC</td><td>±</td><td>-</td></tr> <tr><td>3 PLC</td><td>±</td><td>-</td></tr> <tr><td>4 PLC</td><td>±</td><td>-</td></tr> <tr><td>ANGLES</td><td>±</td><td>-</td></tr> </table>		0 PLC	±	-	1 PLC	±	-	2 PLC	±	-	3 PLC	±	-	4 PLC	±	-	ANGLES	±	-	PRODUCT SPEC -	APPLICATION SPEC -	RESTRICTED TO -
0 PLC	±	-																				
1 PLC	±	-																				
2 PLC	±	-																				
3 PLC	±	-																				
4 PLC	±	-																				
ANGLES	±	-																				
MATERIAL -	FINISH -	WEIGHT -	SIZE A2	CAGE CODE 00779																		
CUSTOMER DRAWING			SCALE NTS	DRAWING NO C=1546310																		
			SHEET 4	REV T5																		

Mouser Electronics

Authorized Distributor

Click to View Pricing, Inventory, Delivery & Lifecycle Information:

[TE Connectivity:](#)

[1546310-4](#)