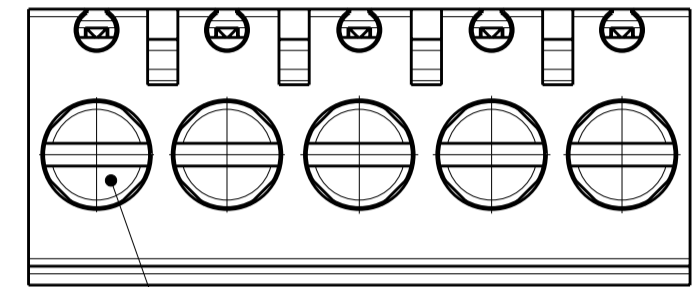


THIS DRAWING IS UNPUBLISHED. RELEASED FOR PUBLICATION 20  
 © COPYRIGHT 20 BY - ALL RIGHTS RESERVED.

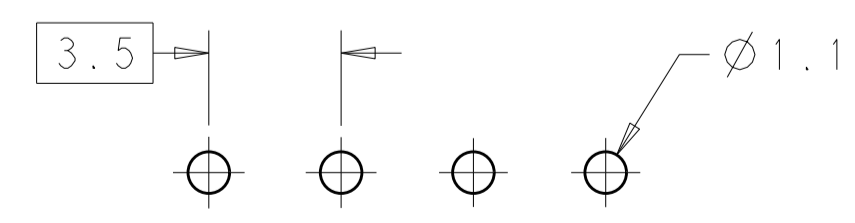
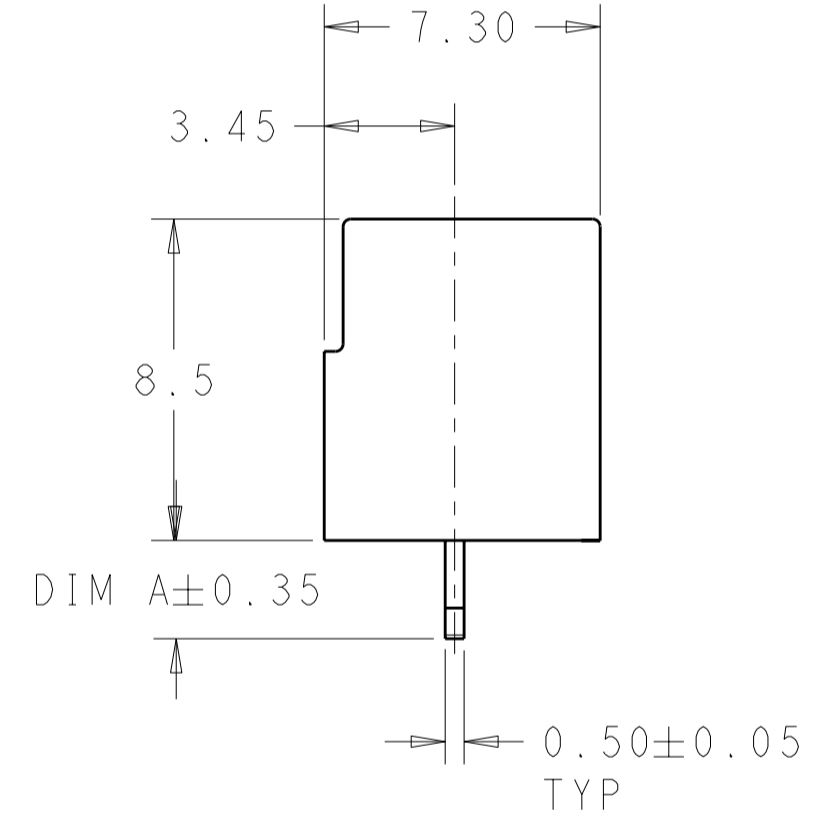
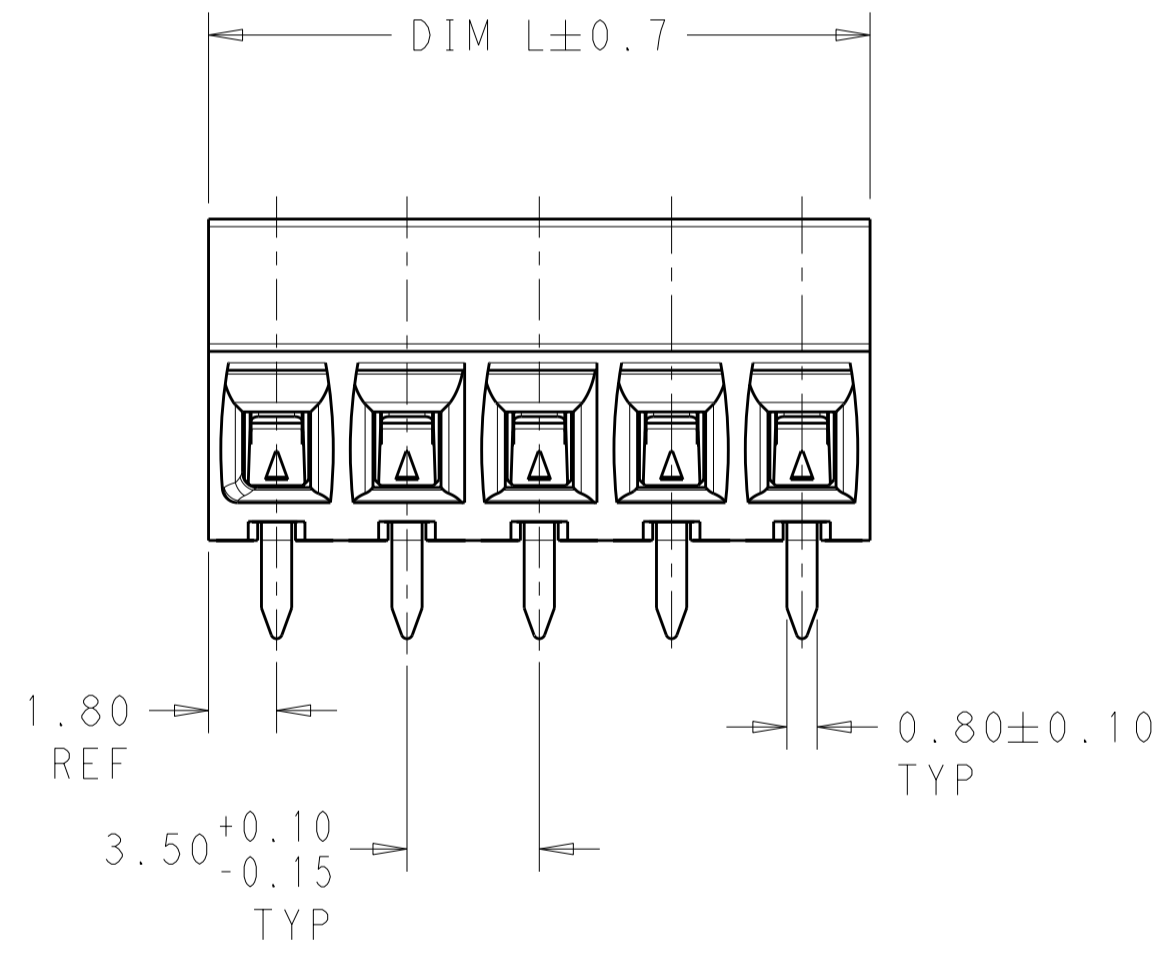
LOC		DIST		REVISIONS			
P	LTR	DESCRIPTION	DATE	DWN	APVD		
P		REVISED PER ECO-11-004917	12MAR2011	RK	HMR		

1. MATERIALS AND FINISH:  
 HOUSING: HIGH TEMPERATURE POLYAMIDE, UL 94V-0,  
 COLOR: BLACK.  
 TERMINAL: COPPER ALLOY, TIN PLATED.  
 CLAMP: COPPER ALLOY, NICKEL PLATED.  
 CLAMPING SCREW: COPPER ALLOY, NICKEL PLATED.

- 2. WIRE SIZE RANGE: 16-28 AWG.
- 3. CURRENT RATING: 12A, 150V  
 OPERATING TEMPERATURE: -40° TO +110°C
- 4. SUITABLE FOR 2.4mm MAX PC BOARD THICKNESS.



CLAMPING SCREW



RECOMMENDED PC BOARD LAYOUT

3.50	14.00	4	2-1776112-4
3.50	10.50	3	2-1776112-3
3.50	7.00	2	2-1776112-2
2.60	14.00	4	1776112-4
2.60	10.50	3	1776112-3
2.60	7.00	2	1776112-2
DIM A	DIM L	NO OF POS	PART NUMBER

THIS DRAWING IS A CONTROLLED DOCUMENT.		DWN S. SCHLEGEL 19JAN2010	TE Connectivity	
		CHK C. RICHARD 19JAN2010		
		APVD C. RICHARD 19JAN2010	NAME TERMINAL BLOCK, PCB MOUNT, STRAIGHT, 8.5mm PROFILE, SIDE WIRE ENTRY, 3.5mm PITCH	
DIMENSIONS: mm		TOLERANCES UNLESS OTHERWISE SPECIFIED:	SIZE A200779	CAGE CODE C-1776112
0 PLC ± 1 PLC ±0.3 2 PLC ±0.25 3 PLC ± 4 PLC ± ANGLES ± FINISH ±		PRODUCT SPEC - APPLICATION SPEC - WEIGHT -	SCALE 5:1	SHEET 1 OF 1
MATERIAL 1		FINISH 1	RESTRICTED TO -	
		CUSTOMER DRAWING	REV P	

# Mouser Electronics

Authorized Distributor

Click to View Pricing, Inventory, Delivery & Lifecycle Information:

[TE Connectivity:](#)

[1776112-2](#)