
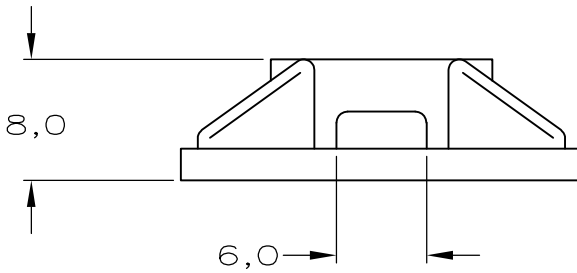
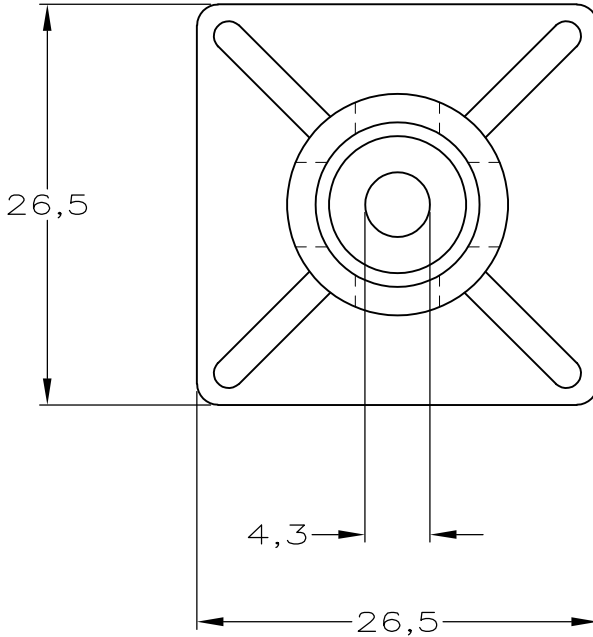


LOC	DIST	REVISIONS					
—	—	P	LTR	DESCRIPTION	DATE	DWN	APVD
			0	H-9856	14-08-92	R.D.	RV
			01	ECR-10-026542	04JAN11	KK	HMR

NOTES:

- 1 MAX. CABLE TIE WIDTH 4,8.
- 2 TENSILE STRENGTH 210 kPa
- 3 APPL. TEMP. RANGE +5 - +50° C.
- 4  OBSOLETE





BLACK	POLYAMIDE 6/6	 2-100734-2	100
NATURAL	POLYAMIDE 6/6	2-100734-1	100
FINISH	MATERIAL	PARTNUMBER	QTY

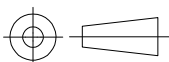
RELEASED FOR PUBLICATION

ALL RIGHTS RESERVED.

THIS DRAWING IS UNPUBLISHED.

© COPYRIGHT - By -

DIMENSIONS: mm	DWN	R.DAAMEN	14-08-92	MATERIAL	-	FINISH	-
	CHK	R.VOS.	-	 TE Connectivity			
TOLERANCES UNLESS OTHERWISE SPECIFIED:	APVD	L.V.SOEST.	-				
0 PLC ± -	PRODUCT SPEC	-	NAME				MOUNTING BASE.
1 PLC ± -	APPLICATION SPEC	-	SIZE	CAGE CODE	DRAWING NO	RESTRICTED TO	
2 PLC ± -	WEIGHT	-	A4	00779	 100734	-	
3 PLC ± -	CUSTOMER DRAWING			SCALE	-	SHEET	1 OF 1
4 PLC ± -						REV	01
ANGLES ± -							



Mouser Electronics

Authorized Distributor

Click to View Pricing, Inventory, Delivery & Lifecycle Information:

[TE Connectivity:](#)

[2-100734-1](#)