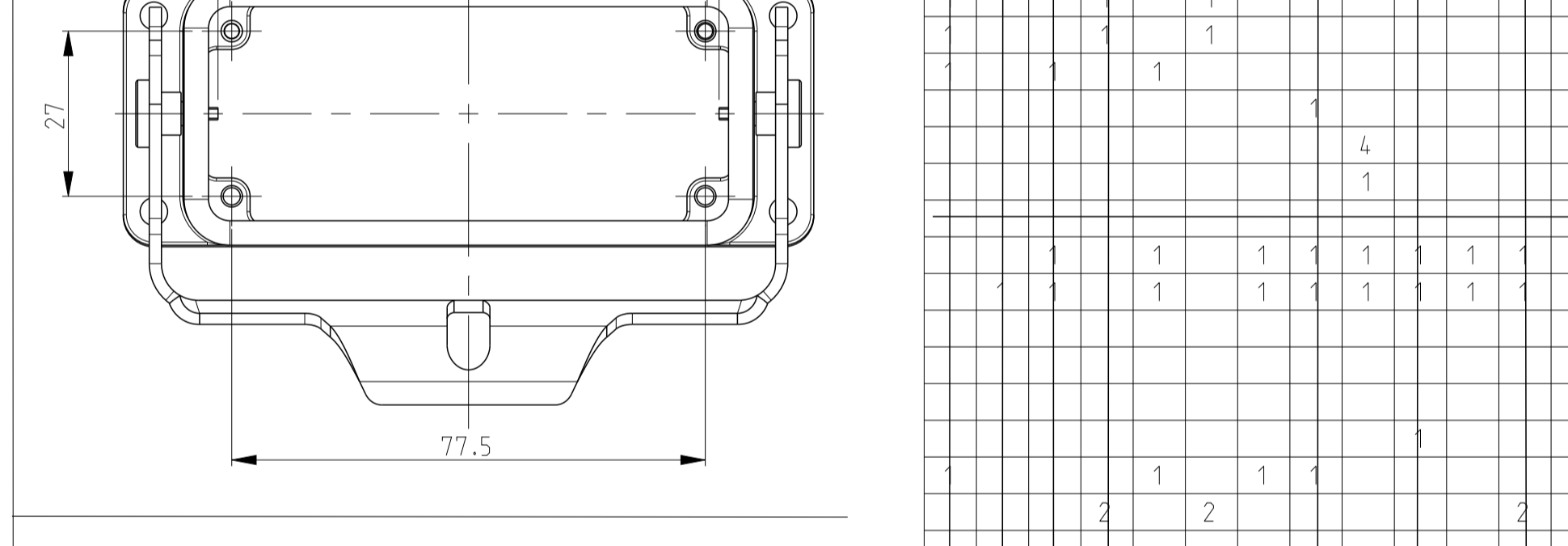
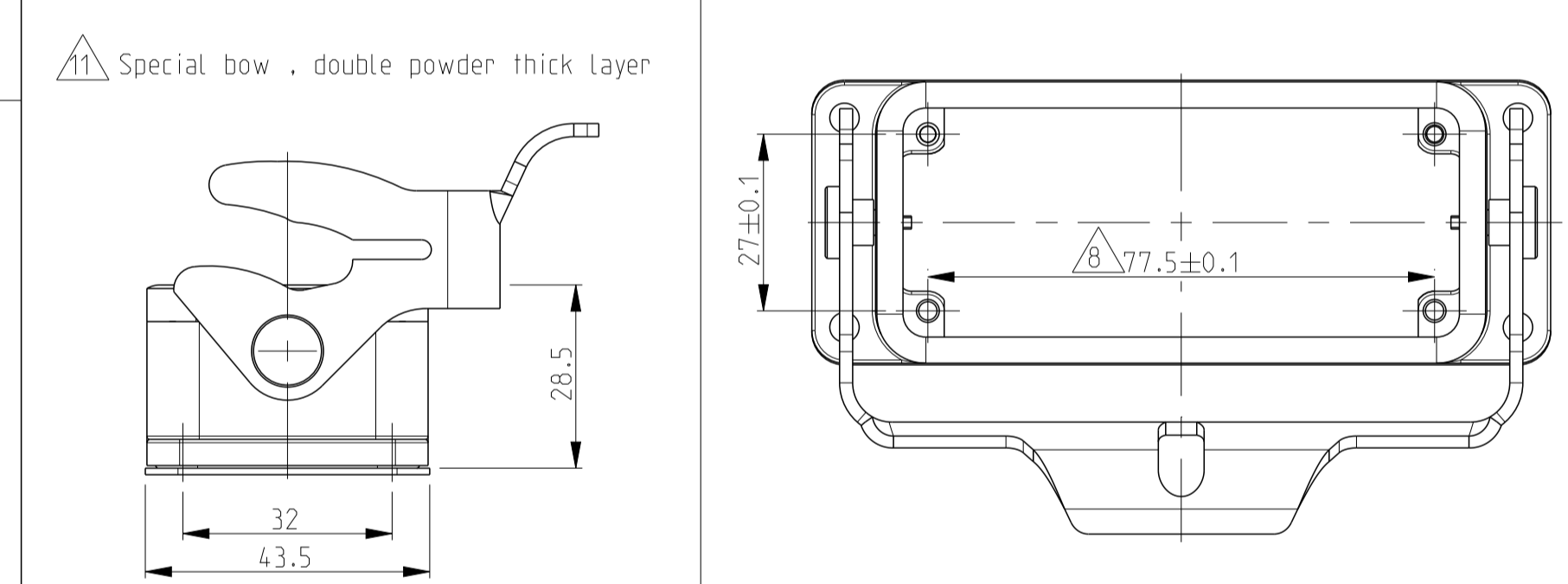
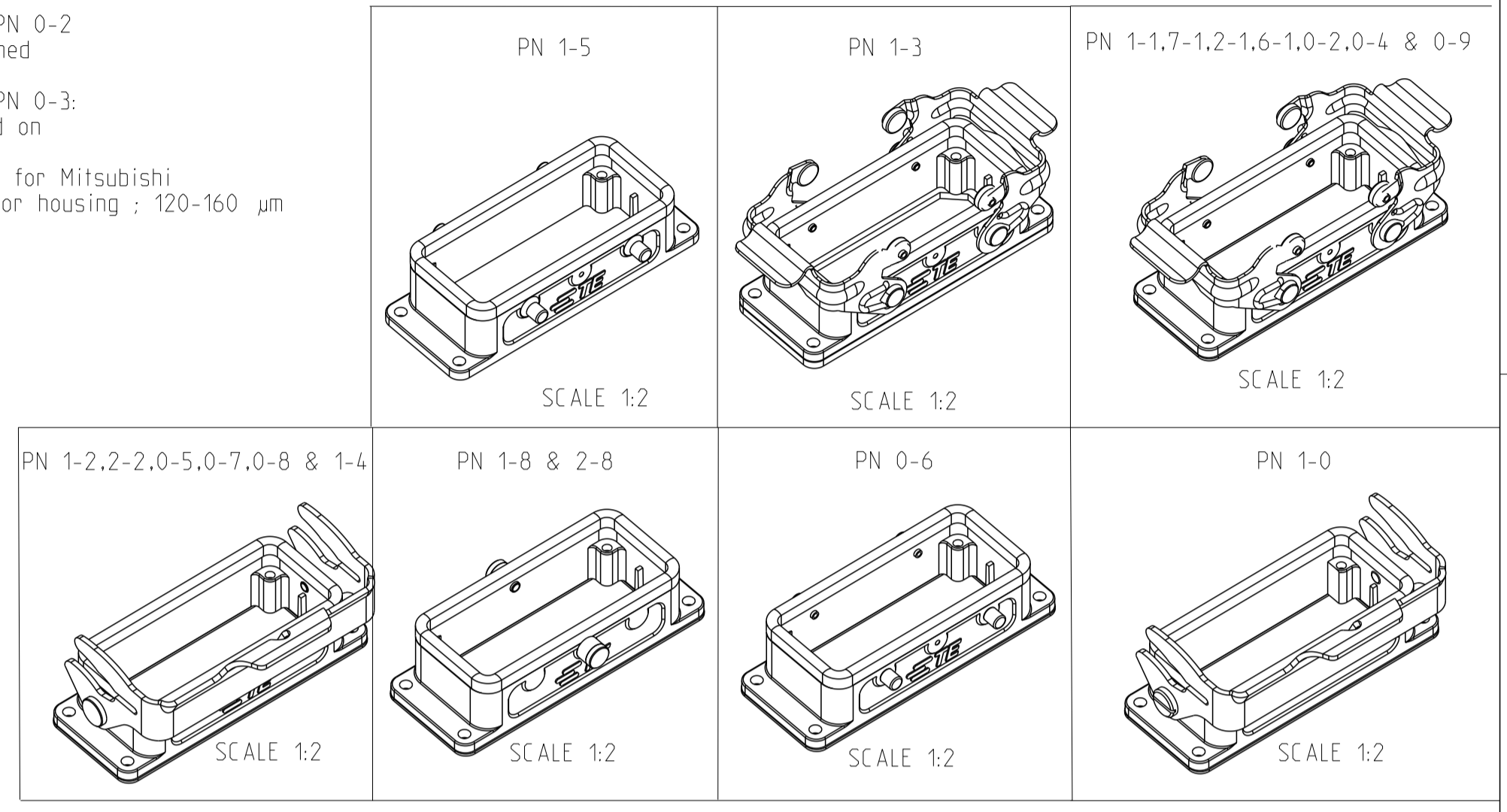
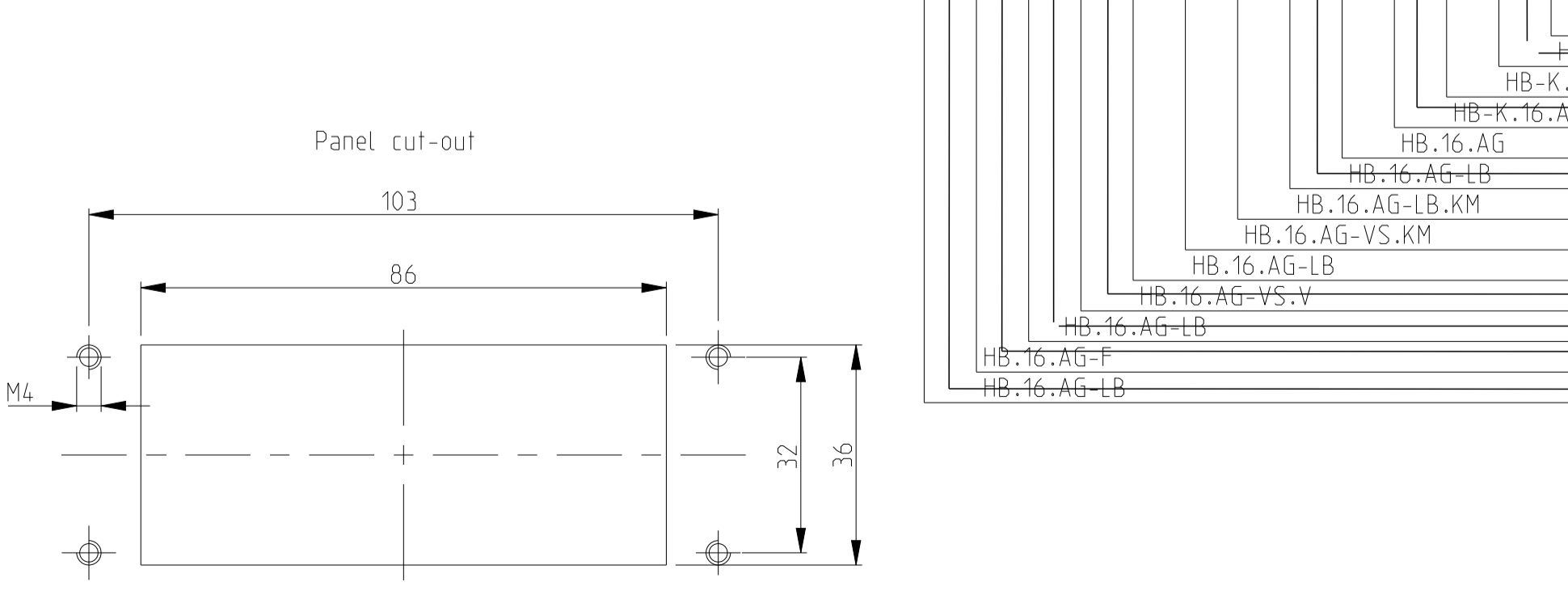
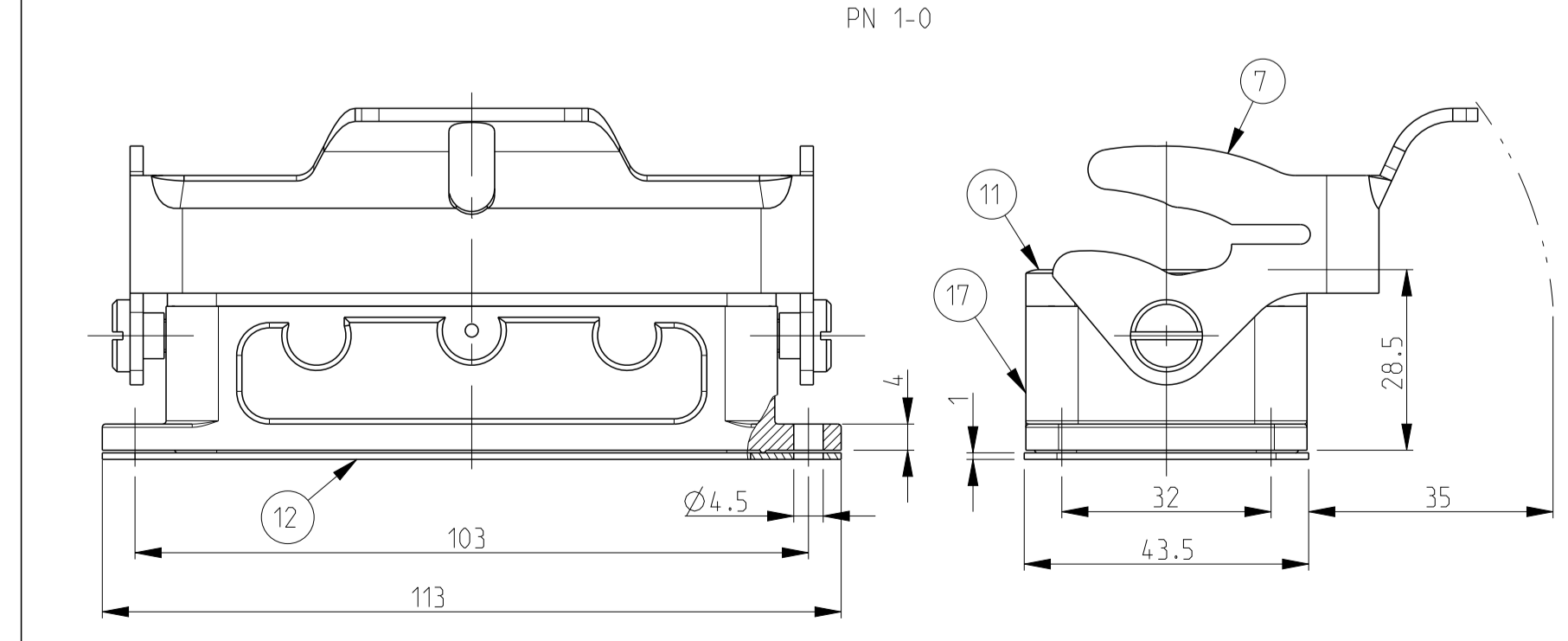
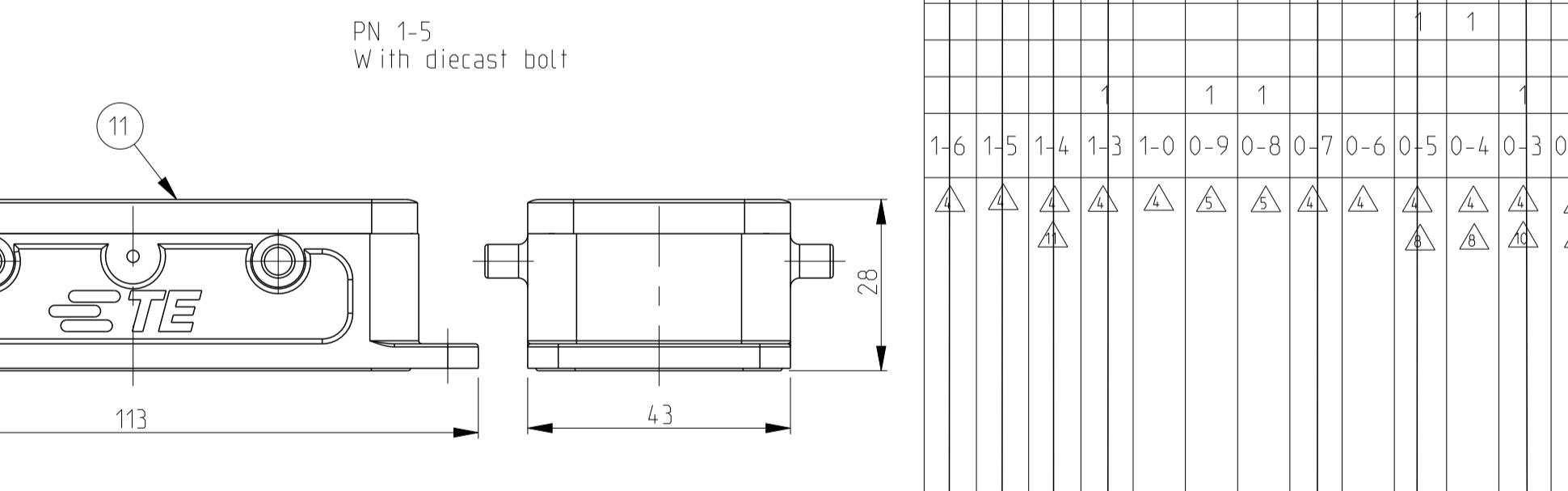
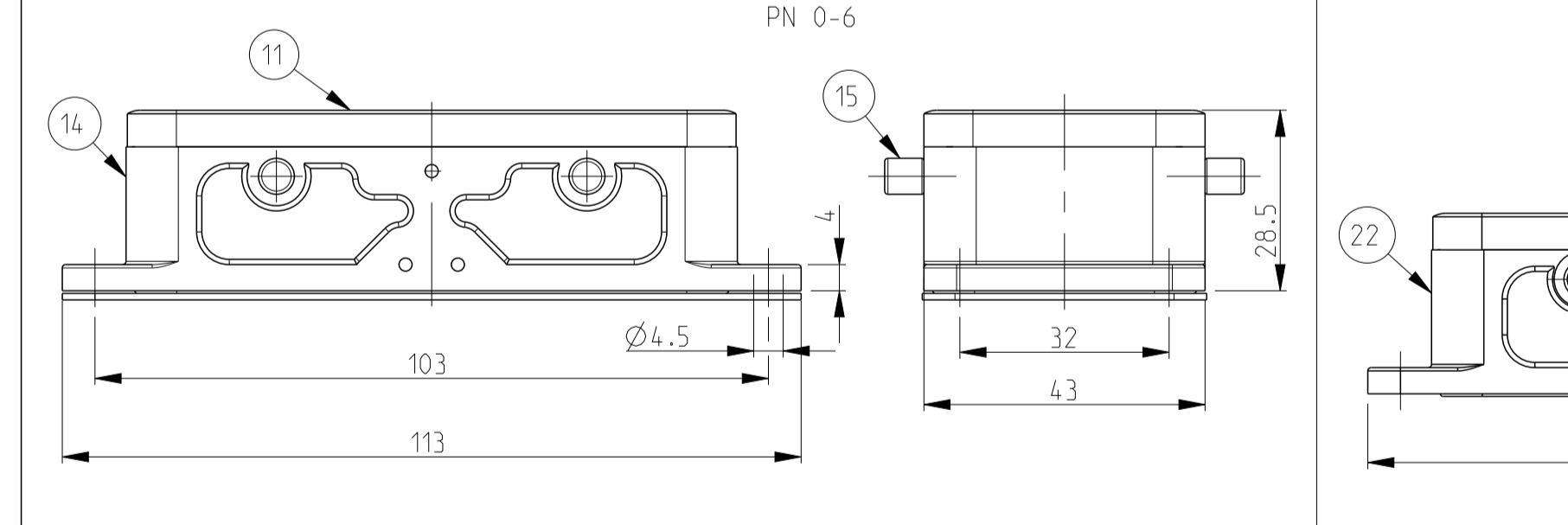


- NOTES
- 1 Material: Housing aluminium diecasting alloy  
Seals: Neoprene : Viton
  - 2 Surface: Varnish Grey; Black
  - 3 Varnish on the inside not necessary
  - 4 Packaging quantity 5 pieces
  - 5 Packaging quantity 100 pieces
  - 6 Packaging quantity 150 pieces
  - 7 Only valid for PN 0-1:  
couding device beveled on dimension 82
  - 8 Only valid for PN 0-4 and 0-5  
Plat form beveled on dimension 72.5±0.1 both sides
  - 9 Only valid for PN 0-2  
Seal loose attached
  - 10 Only valid for PN 0-3:  
flange seal clued on
  - 11 Special side clip for Mitsubishi  
powder coating for housing : 120-160 μm

LOC	DIST	REVISIONS			
P	LTH	DESCRIPTION	DATE	DWN	APVD
C1		ECR-16-009320	13DEC2016	GCM	MKO
C2		ECR-16-015318	26OCT2017	GR	MKO



ITEM NO	DESCRIPTION	MATERIAL	SURFACE	COLOR	ITEM NO	NOTES
1	Surface mounted housing bottom entry HB	Aluminium		Grey RAL7001	22	With bolt
2	LB-Side clip	Steel	Zinc plated	Blue	21	
3	Surface mounted housing bottom entry HB	Aluminium		Grey 120-160 μm	20	
4	Flange seal	Viton		Black	19	
5	Profile seal	Viton		Grey	18	
6	Surface mounted housing bottom entry HB	Aluminium		Grey RAL7001	17	Neutral
7	Surface mounted housing bottom entry HB	Aluminium		Grey RAL7001	16	Without lo
8	Clip bolt-HB	Steel	Zinc plated	Blue	15	
9	Surface mounted housing bottom entry HB	Aluminium		Grey RAL7001	14	
10					13	
11	Flange seal	Neoprene		Black	12	
12	Profile seal	Neoprene		Black	11	
13	ZB-Clip bolt	Stainless steel			10	
14	ZB-Clip bolt	Steel	Zinc plated	Blue	9	
15	LB-Side clip	Stainless steel			8	
16	LB-Side clip	Steel	Zinc plated	Blue	7	
17	VS-Locking clip	Stainless steel			6	
18	VS-Locking clip	Steel	Zinc plated	Blue	5	
19	Surface mounted housing bottom entry HB	Aluminium		With out varnish	4	
20	Surface mounted housing bottom entry HB-K	Aluminium	Aluminium oxide	Black RAL9005	3	
21	Surface mounted housing bottom entry HB-K	Aluminium		Black RAL9005	2	
22	Surface mounted housing bottom entry HB	Aluminium		Grey RAL7001	1	



THIS DRAWING IS A CONTROLLED DOCUMENT.

DIMENSIONS: mm

TOLERANCES UNLESS OTHERWISE SPECIFIED:  
 +0.10 / -0.10 (H9/k9)  
 +0.05 / -0.05 (H8/k8)  
 +0.02 / -0.02 (H7/k7)  
 ANGLES

0	PLC	#	
1	PLC	#	
2	PLC	#	
3	PLC	#	
4	PLC	#	
5	PLC	#	
6	PLC	#	
7	PLC	#	
8	PLC	#	
9	PLC	#	
0	PLC	#	

MATERIAL FINISH

THIS DRAWING IS A CONTROLLED DOCUMENT. DWN: Schwegler 23.07.1997, CHK: Kramer 23.06.1998, APVD: Kramer

PRODUCT SPEC: 108-74001/74003  
 APPLICATION SPEC: 114-74001/74004/74005

NAME: Surface Mounted housing Bottom Entry HB.16  
 SIZE: A1, CAGE CODE: 00779, DRAWING NO: C=1102296, SHEET 1 OF 1, REV C2

# Mouser Electronics

Authorized Distributor

Click to View Pricing, Inventory, Delivery & Lifecycle Information:

[TE Connectivity:](#)

[2-1102296-1](#)