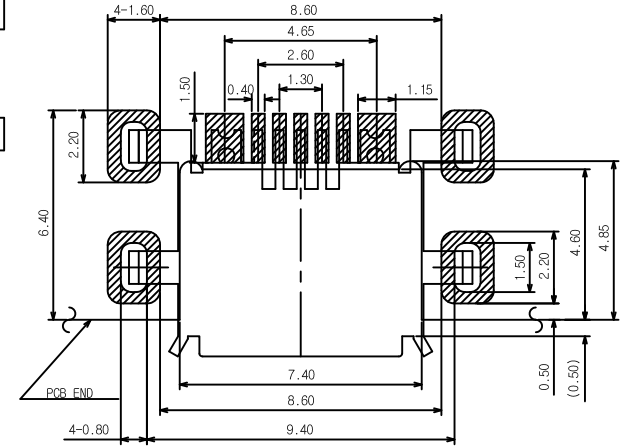


-NOTE-

1. This product is enable to mount both USB-IF Recommended PCB pattern
2. Coplanarity : The dimension between flat tool and botton of soldering terminals when connector put on the flat tool like PCB
Signal terminal / Metal tal (front) : Max 0.08 mm
3. PRODUCT NUMBERING:
10103593 - 0001LF



USB-IF REVERSE type Pattern
USB-IF Recommended RIVERSE type Pattern
(Tolerance : ±0.05)

No.	Part Name	Material	Finish
1	Socket Housing	Thermoplastic(Black)	UL94V-0
2	Socket Contact Ter'	Copper alloy	Au over Ni
3	Socket Ter'	Copper alloy	Au over Ni
4	Socket Shield	Stainless Steel	Ni plated

mat'l. code				tolerances unless otherwise specified			CUSTOMER COPY		FCI		www.fciconnect.com	
ltr	ecn no	dr	date	linear	.X ± 0.38		projection	title				
A	T10-0002	J.H	1/7/10		.XX ± 0.25			MICRO-USB B-TYPE MID-MOUNT				
					.XXX ± 0.15							
				angles	0° ±2°		MM		product family		code	
				dr	JASON HSU	1/7/10	scale		USB		TWN	
				enrg	JASON HSU	1/7/10	A4		size dwg no		sheet	
				chr	GARY HSIEH	1/7/10	NA		10103593		1 of 1	
				appd	JOSEPH HSIA	1/7/10						
sheet index	revision sheet	A	1									

Mouser Electronics

Authorized Distributor

Click to View Pricing, Inventory, Delivery & Lifecycle Information:

[FCI / Amphenol:](#)

[10103593-0001LF](#)