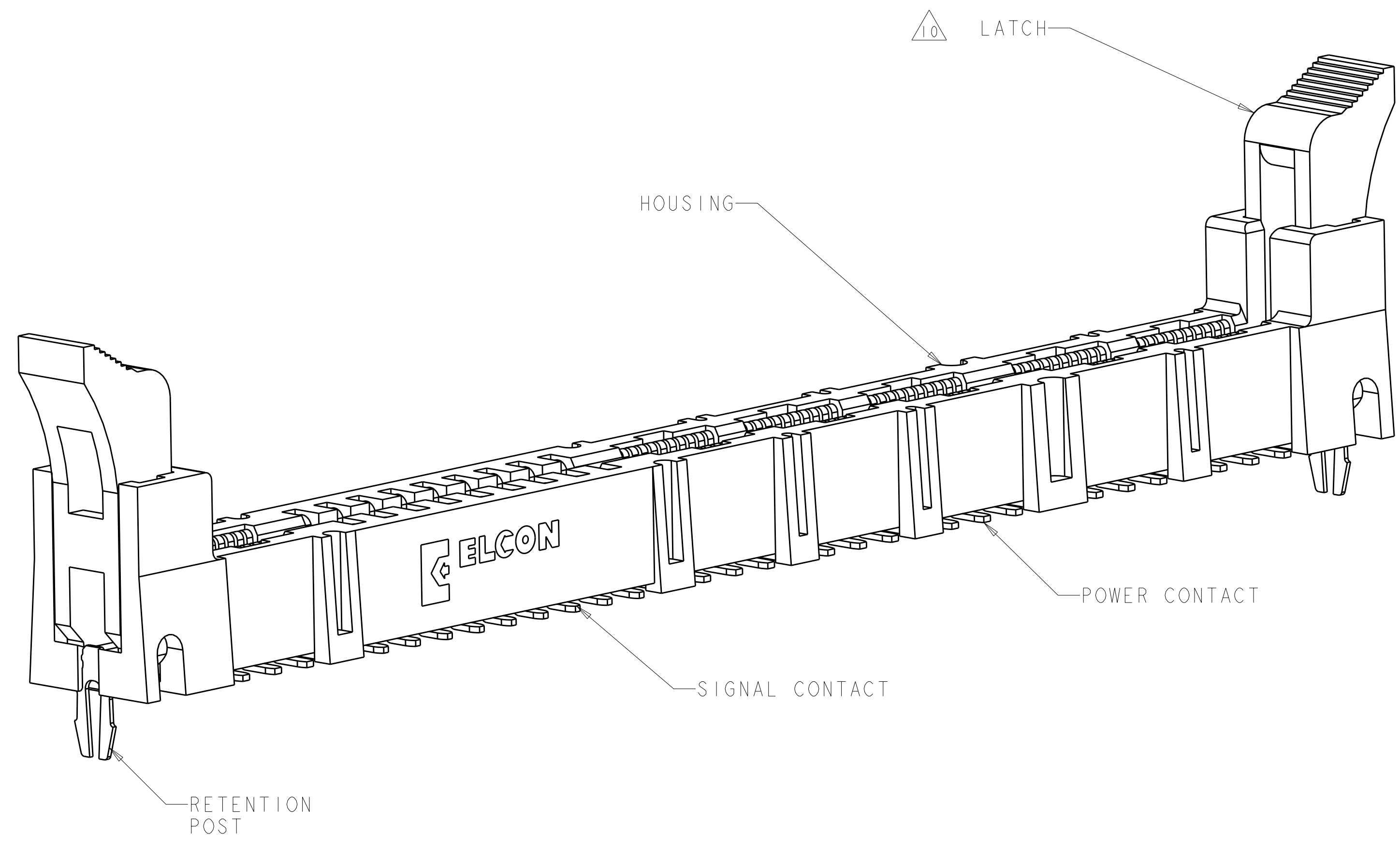


LOC	DIST	REVISIONS			
REV	LTG	DESCRIPTION	DATE	DWN	APVD
C		REV PER ECO-08-031583	19DEC2008	RG	PD

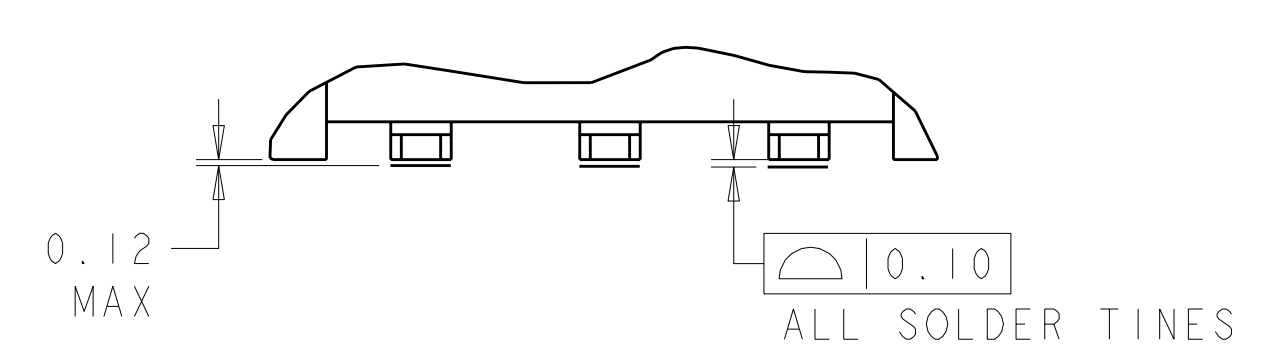
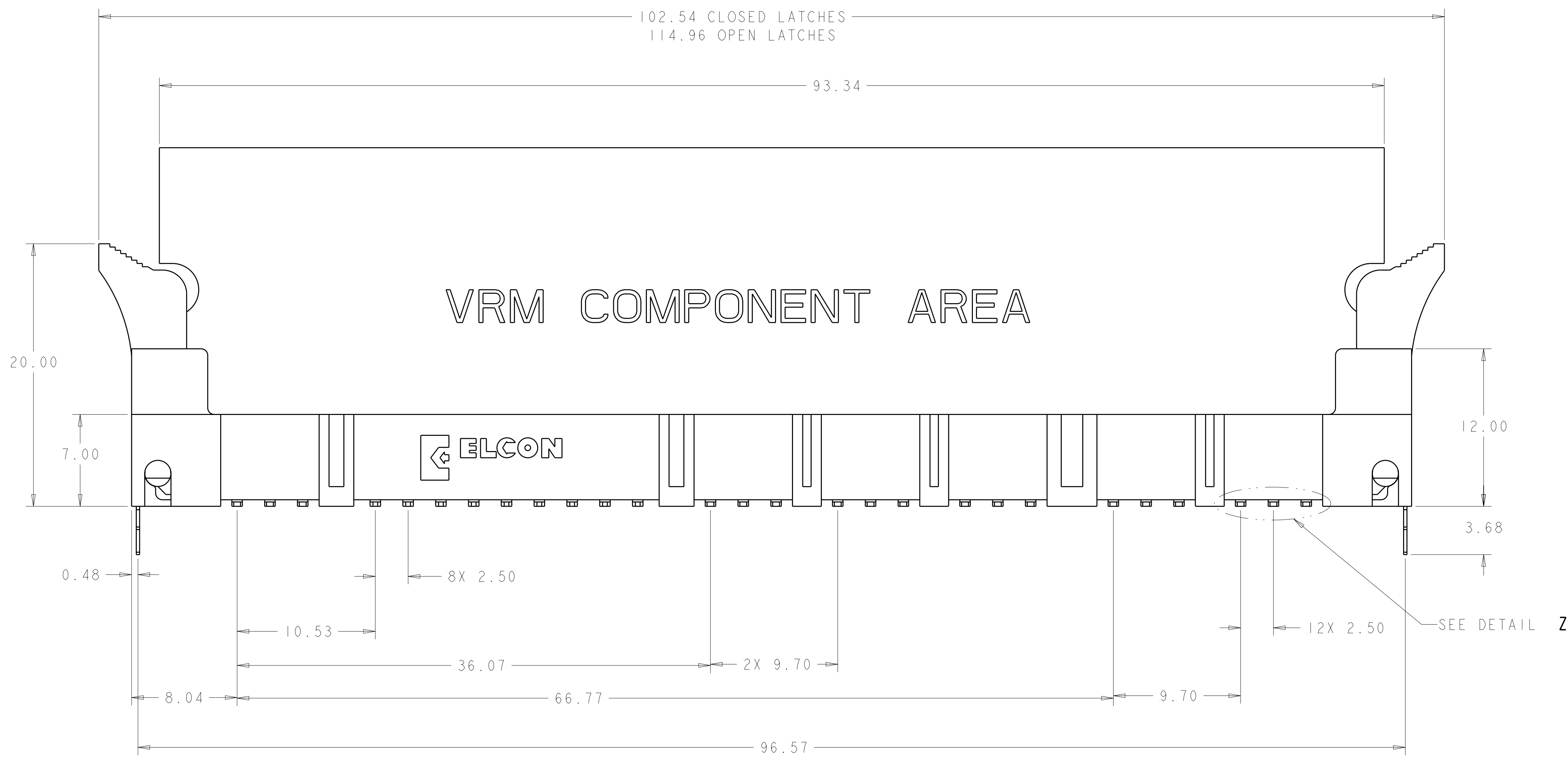
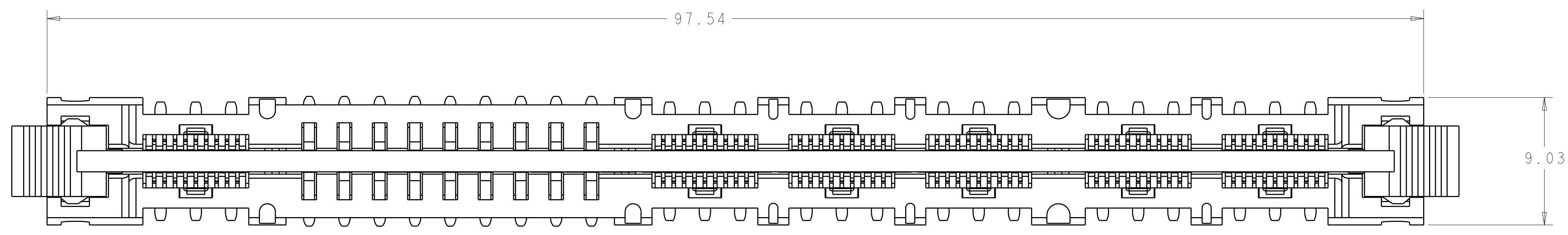


- PART NUMBER CHANGES AND OR DESIGN CHANGES AFFECTING ITEM INTERCHANGEABILITY REQUIRE PRIOR TYCO ELECTRONICS APPROVAL AND AUTHORIZATION BY REVISION TO THIS DRAWING.
- MATERIAL:**
 HOUSING: GLASS FILLED POLYESTER, COLOR-BLACK
 UL94V-0 FLAMMABILITY RATED
 LATCHES: THERMOPLASTIC, GLASS REINFORCED
 COLOR: BLACK, UL94V-0 FLAMMABILITY RATED
 CONTACTS: COPPER ALLOY
 RETENTION POST: COPPER ALLOY
- FINISH:**
 SIGNAL CONTACTS:
 MATING AREA-0.76µm MIN GOLD OVER 3.81µm MIN NICKEL
 0.64µm MIN NICKEL PLATE OVER REMAINDER
 SMT TAILS-3.81µm MIN MATTE TIN OVER NICKEL PLATE
 POWER CONTACTS:
 1.27µm MIN NICKEL PLATE ALL OVER
 MATING AREA-0.76µm MIN GOLD OVER NICKEL PLATE
 SMT TAILS-3.05µm MIN TIN OVER NICKEL PLATE
 RETENTION POSTS:
 3.05µm MIN MATTE TIN OVER 0.63µm MIN NICKEL
- ITEMS PROVIDED TO THIS SPECIFICATION TO BE PERMANENTLY IDENTIFIED WITH PART NUMBER AND DATE CODE.
- MAXIMUM BURR OF 0.013 ON CARD TAB AREA.
- SET TRACE BACK FROM PC BOARD EDGE. NO SOLDERMASK ALLOWED BETWEEN PC BOARD EDGE AND TRACE.
- CONNECTOR ACCEPTS 1.57±0.13 THICK PC BOARD.
- KEEP OUT AREA FOR COMPONENTS ONLY.
- FEATURE REQUIRED FOR USE WITH LATCH.
- CAUTION:**
 LATCHES ARE INTENDED FOR RETENTION OF PC BOARD TO CONNECTOR. DO NOT ATTEMPT TO FULLY EJECT PC BOARD FROM CONNECTOR WHILE DISENGAGING LATCHES, DAMAGE TO LATCHES AND OR CONNECTOR MAY OCCUR.
- RECOMMENDED GOLD FINGER LENGTH FOR RELIABLE CONTACT.
- DATUMS AND BASIC DIMENSIONS ESTABLISHED BY CUSTOMER.
- FOR DESIGN OBJECTIVES SEE 108-2301.

AS SHOWN	1766336-1
DESCRIPTION	PART NO.

DIMENSIONS: mm 		TOLERANCES UNLESS OTHERWISE SPECIFIED: 9 PLC ±.5 2 PLC ±.25 5 PLC ±.25 4 PLC ±.0000 ANGLES ±.5		DWN HA/GRZYBOWSKI 01/25/05 CHK P.DAMATO 06/28/06 APVD CHAU/PERCHERAE NAME PRODUCT SPEC APPLICATION SPEC WEIGHT CUSTOMER DRAWING		Tyco Electronics Harrisburg, PA 17105-3608 SOCKET CONNECTOR ASSEMBLY W/LATCHES MC-P6S9 MINI CROWN EDGE SIZE CAGE CODE DRAWING NO A100779C=1766336 SCALE 5:1 SHEET 1 OF 4 REV C	
-----------------------	--	---	--	---	--	---	--

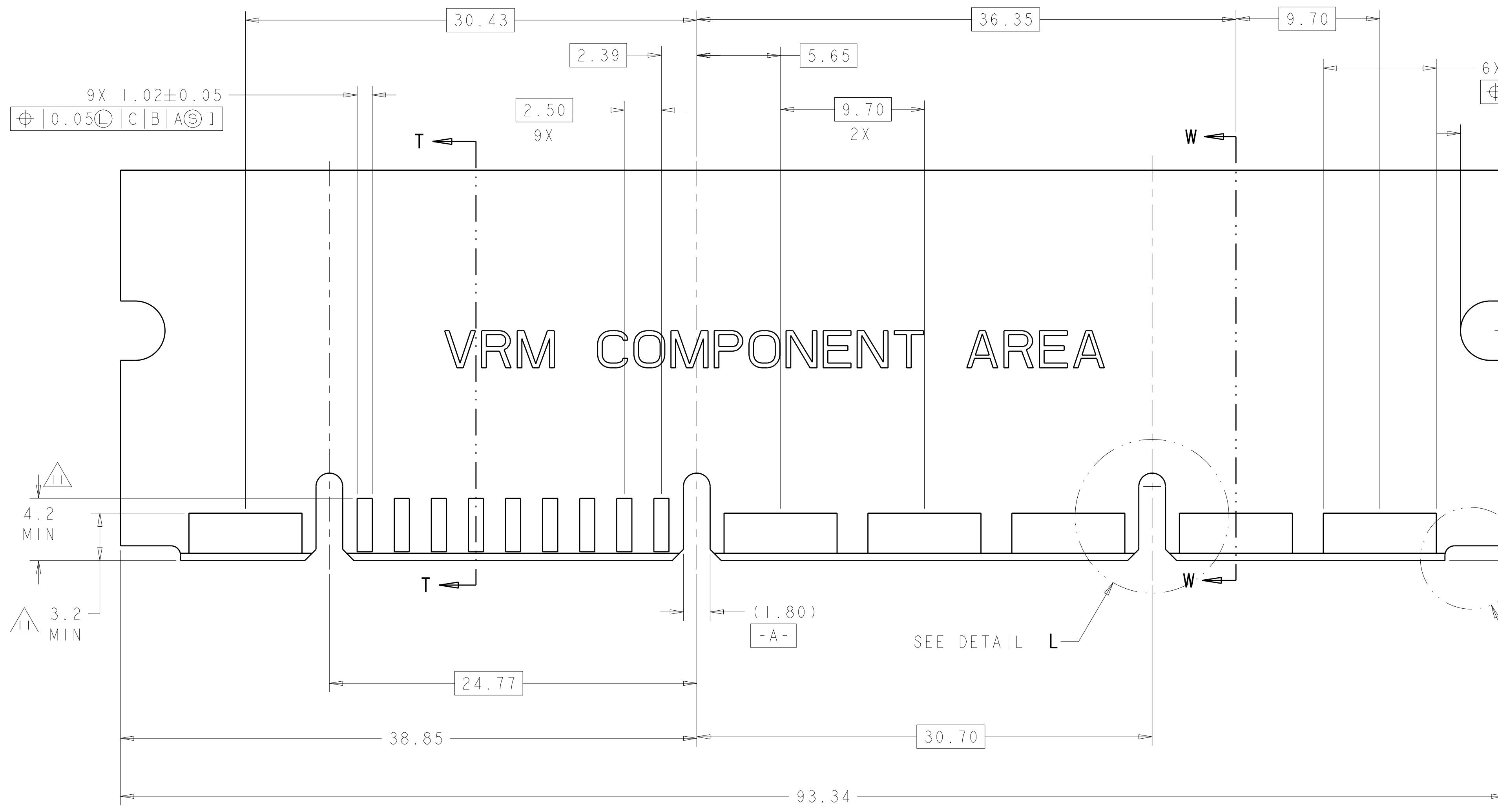
LOC	DIST	REV	DATE	BY	APPD
GP	00				



DETAIL Z
SCALE 10:1

<small>THIS DRAWING IS UNPUBLISHED. RELEASED FOR PUBLICATION BY TYCO ELECTRONICS CORPORATION. ALL RIGHTS RESERVED.</small>		DWN HA/GRZYBOWSKI 01/25/05 CHK P.DAMATO APVD CHAU/PERCHERAE 06/28/06	Tyco Electronics Harrisburg, PA 17105-3608
DIMENSIONS: mm 	TOLERANCES UNLESS OTHERWISE SPECIFIED: 9 PLC ±.5 1 PLC ±.25 5 PLC ±.25 4 PLC ±0.0000 FINISH ±.5	NAME SOCKET CONNECTOR ASSEMBLY W/LATCHES MC-P6S9 MINI CROWN EDGE APPLICATION SPEC WEIGHT CUSTOMER DRAWING	SIZE CAGE CODE DRAWING NO. RESTRICTED TO A100779C-1766336 SCALE 5:1 SHEET 2 OF 4 REV C

LOC	DIST	REV	DESCRIPTION	DATE	OWN	APVD
GP	00		SEE SHEET 1			

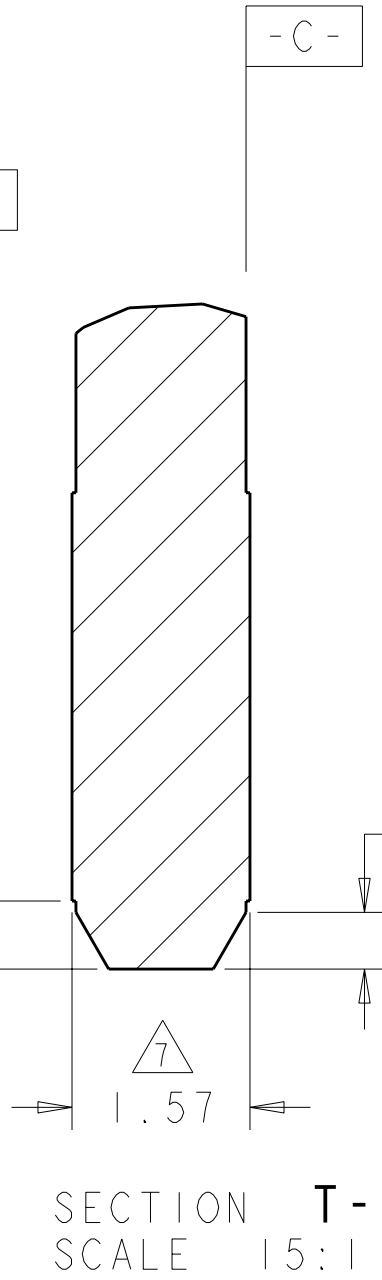


RECOMMENDED MATING BOARD

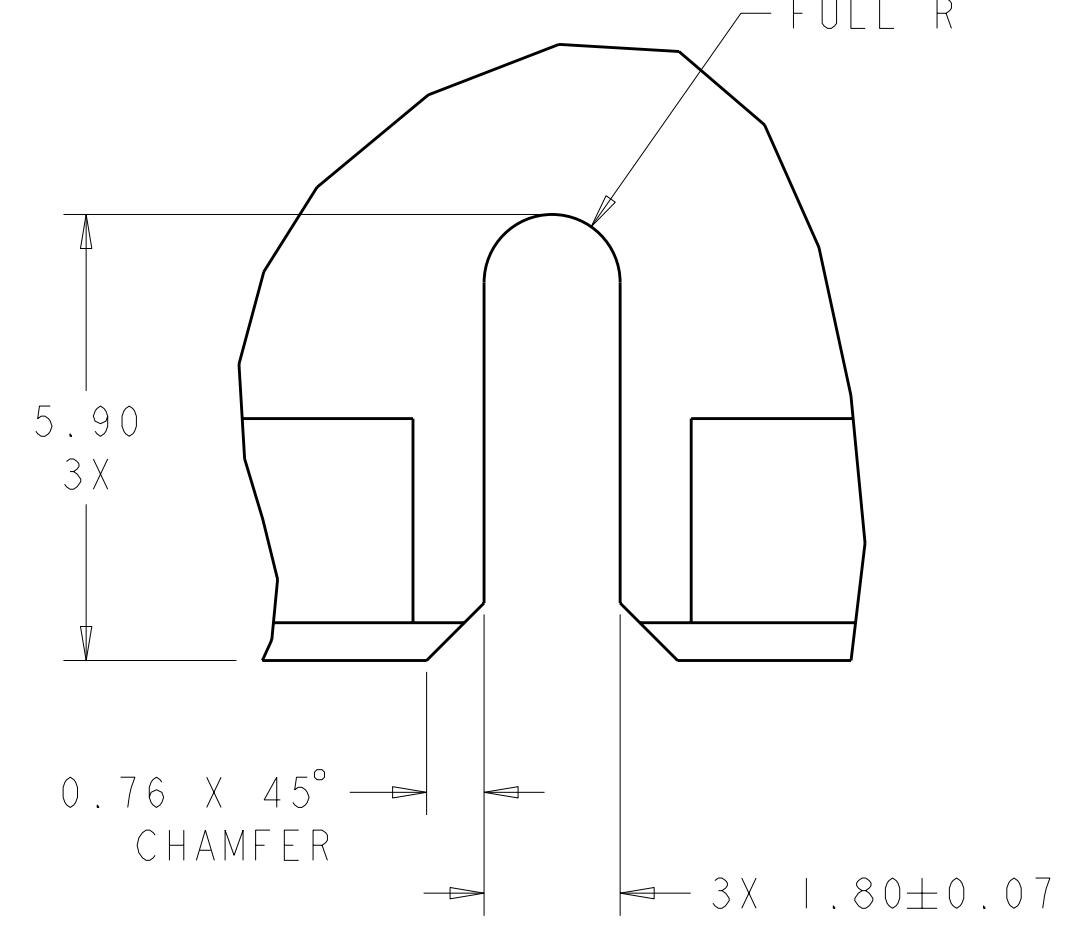
6X 7.62±0.05
 ⊕ 0.1 ⊙ | C | B | A ⊙ | J

2X 4.00±0.08
 ⊕ 0.1 ⊙ | C | A ⊙ | B

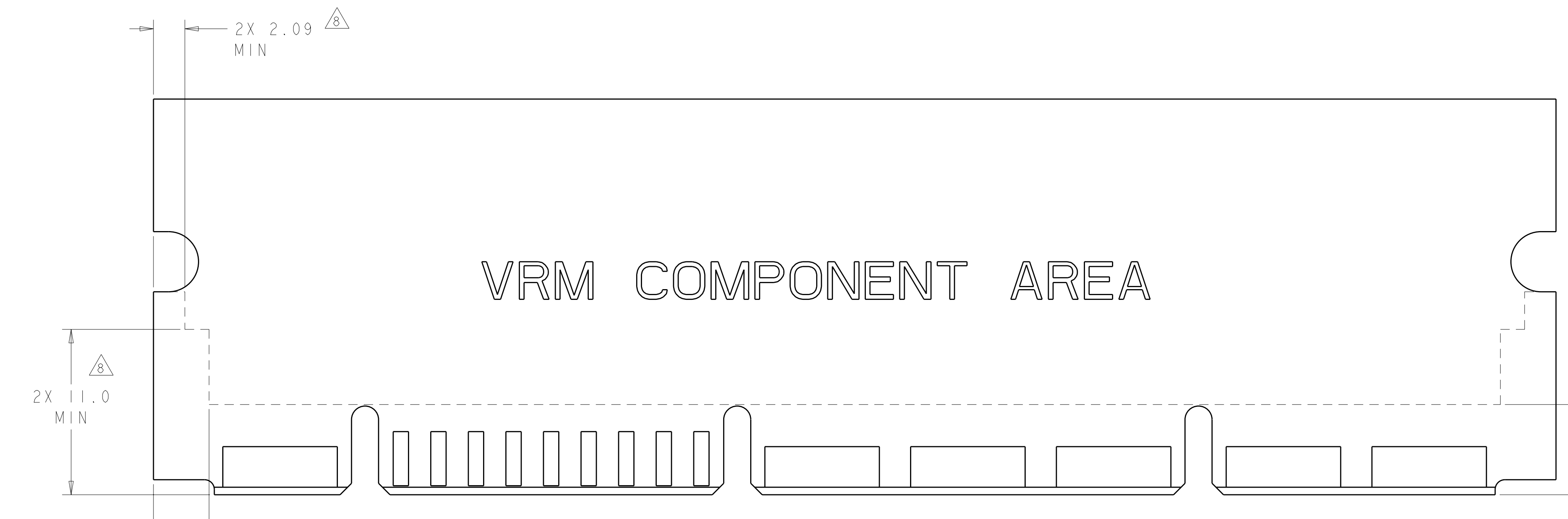
0.6^{+0.2}₀



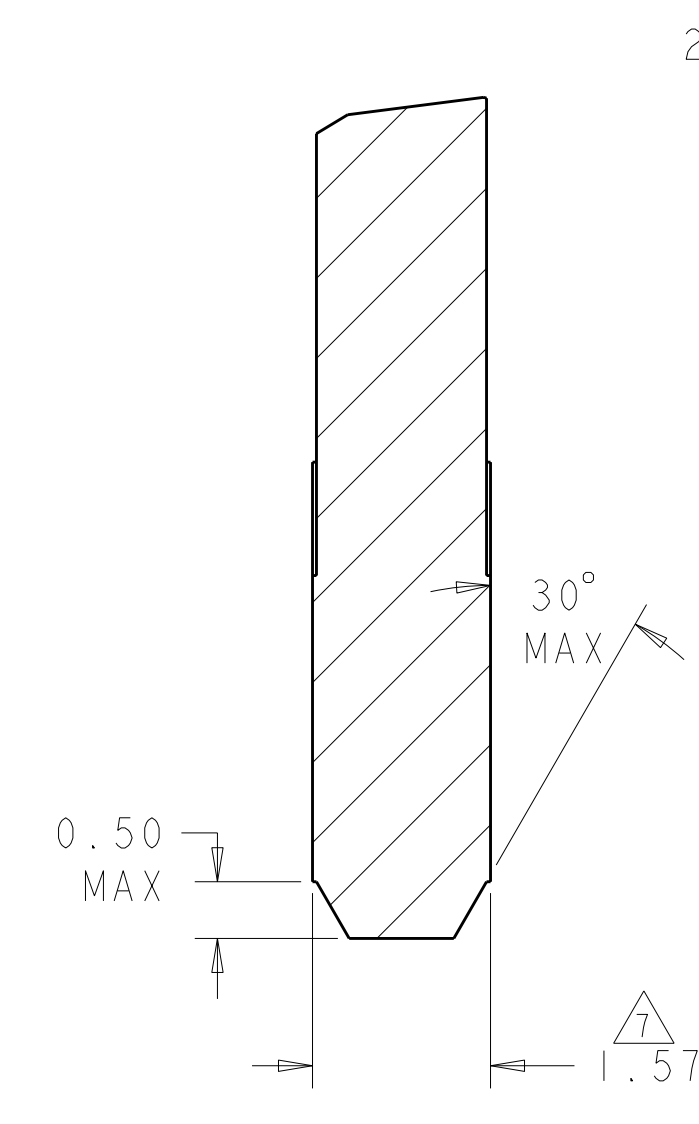
SECTION T-T
 SCALE 15:1



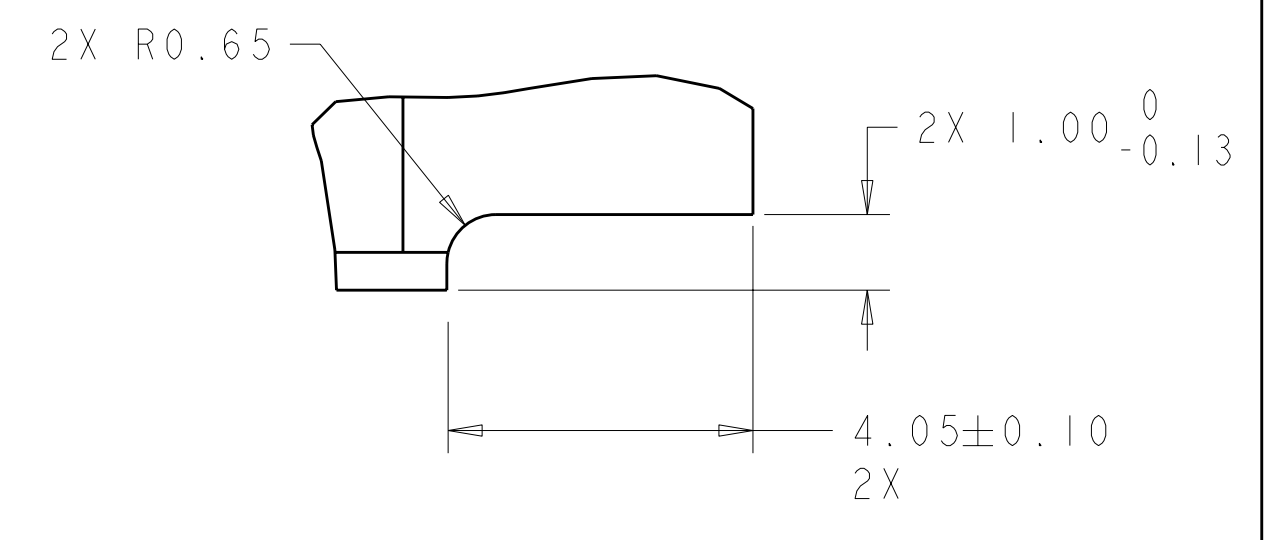
DETAIL L
 SCALE 10:1



RECOMMENDED PC BOARD KEEP OUT AREA



SECTION W-W
 SCALE 15:1



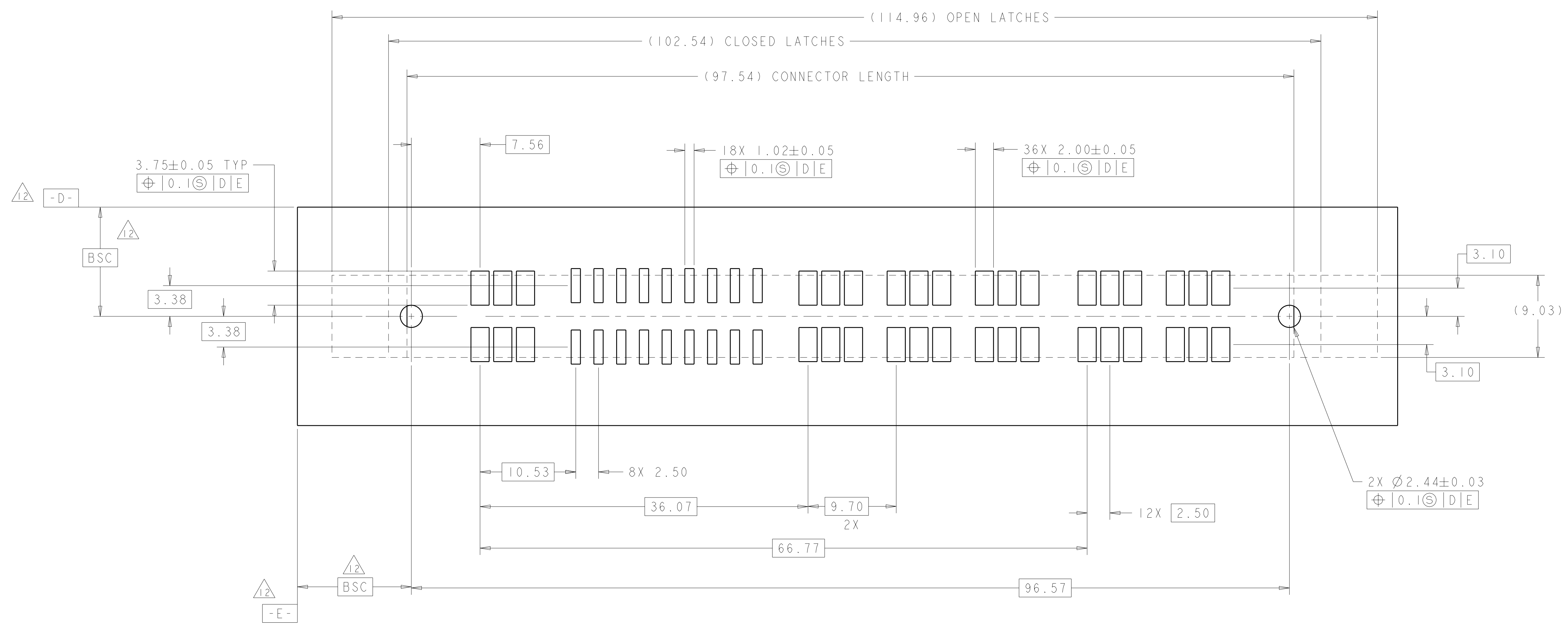
DETAIL N
 SCALE 10:1

DIMENSIONS:		TOLERANCES UNLESS OTHERWISE SPECIFIED:		MATERIAL:		FINISH:		WEIGHT:		CUSTOMER DRAWING:	
mm	9 PLC	±.5	±.25								
	1 PLC	±.5	±.25								
	3 PLC	±.5	±.25								
	4 PLC	±.5	±.25								
	ANGLES	±0.0000	±.5								

DWN	HA/GRZYBOWSKI	01/25/05			
CHK	P. DAMATO				
APVD	CHAU/PERCHERAE	06/28/06			
PRODUCT SPEC					
APPLICATION SPEC					
SIZE	CAGE CODE	DRAWING NO	RESTRICTED TO		
A	100779	C=1766336			

Tyco Electronics Tyco Electronics
 Harrisburg, PA 17105-3608
 NAME: SOCKET CONNECTOR ASSEMBLY W/LATCHES
 MC-P6S9 MINI CROWN EDGE
 SCALE 5:1 SHEET 3 OF 4 REV C

LOC	DIST	REVISIONS					
GP	00	P	LTB	DESCRIPTION	DATE	DWN	APVD
		-	-	SEE SHEET 1	-	-	-



RECOMMENDED SOLDER LAND GUIDELINE
 AS VIEWED FROM CONNECTOR SIDE

<small>THIS DRAWING IS UNPUBLISHED. RELEASED FOR PUBLICATION BY TYCO ELECTRONICS CORPORATION. IT IS SUBJECT TO CHANGE WITHOUT NOTICE AND WITHOUT OBLIGATION TO BE CONTACTED FOR THE LATEST REVISION.</small>		DWN HA/GRZYBOWSKI 01/25/05 CHK P.DAMATO APVD CHAU/PERCHERAE 06/28/06 PRODUCT SPEC APPLICATION SPEC WEIGHT CUSTOMER DRAWING	Tyco Electronics Harrisburg, PA 17105-3608 NAME SOCKET CONNECTOR ASSEMBLY W/LATCHES MC-P6S9 MINI CROWN EDGE SIZE CAGE CODE DRAWING NO. RESTRICTED TO A100779C=1766336 SCALE 5:1 SHEET 4 OF 4 REV C
DIMENSIONS: mm 	TOLERANCES UNLESS OTHERWISE SPECIFIED: 9 PLC ±.5 2 PLC ±.25 5 PLC ±.25 4 PLC ±0.001 FINISH ±.5		

Mouser Electronics

Authorized Distributor

Click to View Pricing, Inventory, Delivery & Lifecycle Information:

[TE Connectivity:](#)

[283-0172-03003](#)