

10139781 - AA B C D E FF

AA	POSITION
08	2X40
12	2X60

B	FOR PLUG, SEE DWG. NO.10139085	
COMBINATION OF MATED HEIGHT	Plug 1 	Plug 4
Recep 1 		
Recep 2 		
Recep 3 		

E	PACKAGING
2	T&R WITH METAL CAP
Q	T&R WITHOUT CAP

D	POLARIZATION PEG
0	YES
2	NO

C	PLATING: CONTACT AREA / SOLDER TAIL AREA	FF
4	GOLD 0.2um MIN / PURE MATT TIN 2.5um MIN NICKEL UNDERPLATE OVERALL 1.27um.	LF
5	GOLD 0.38um MIN / MATT PURE TIN 2.5um MIN NICKEL UNDERPLATE OVERALL 1.27um MIN	LF
6	GOLD FLASH OVER PALLADIUM-NICKEL 0.69um/PURE MATT TIN NICKEL UNDERPLATE OVERALL 1.27um.	LF

- NOTES:
- MATERIAL
HOUSING: LCP UL,NATURAL 94V-0
TERMINAL: COPPER ALLOY
 - PLATING
AS SHOWN IN TABLE.
 - PRODUCT SPEC PLEASE REFER TO GS-12-547 .
 - SEE GS-15-551 AND GS-14-816 FOR THE DETAILS OF PACKAGING.
 - PACKAGING OPTION 2: "NOT ALL SIZES AVAILABLE; CHECK WITH FACTORY".
 - THIS PRODUCT MEETS THE EUROPEAN UNION DIRECTIVES AND OTHER COUNTRY REGULATIONS AS DESCRIBED IN GS-22-008.
 - THE HOUSING WITH WITHSTAND EXPOSURE UP TO 260° PEAK TEMPERATURE FOR 30 SECONDS IN A CONVECTION, INFRA-RED OR VAPOR REFLOW OVEN.
 - A \triangle SYMBOL WILL BE NEXT TO ANY DIMENSION, VIEW OR NOTE WHICH HAS BEEN MODIFIED WITH THE CURRENT DRAWING REVISION.

spec ref	-	dr	Eric Huang	2016/08/02	projection	mm	size	A3	scale	DRAWING SCALE
tolerance std	ISO 406 ISO 1101	eng	Bob Gu	2018/01/05		← →	ecn no	ELX-N-28955-1		
TOLERANCES UNLESS OTHERWISE SPECIFIED		chr	-	-			rel level	Released		
surface	linear	appr	Tim Yao	2018/01/09	product family	BERGSTAK+ 0.8mm		dwg no	10139781	
	angular							rev	D	
	0.X ±0.3	cat. no.		Product - Customer Drw		sheet 1 of 6				
	0.XX ±0.15									
	0.XXX ±0.08									
	0° ±2°									

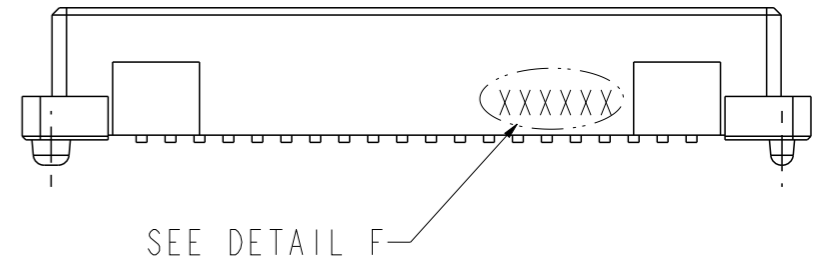
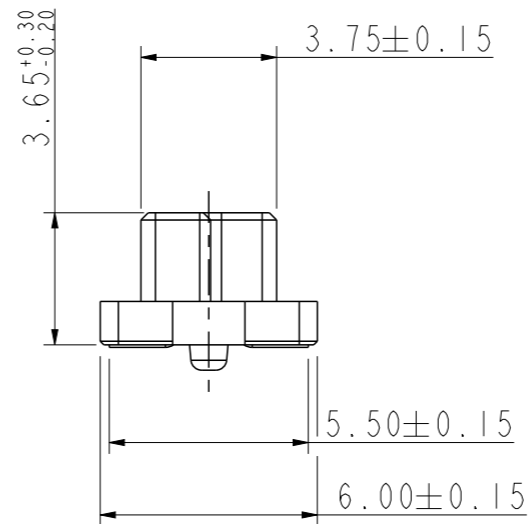
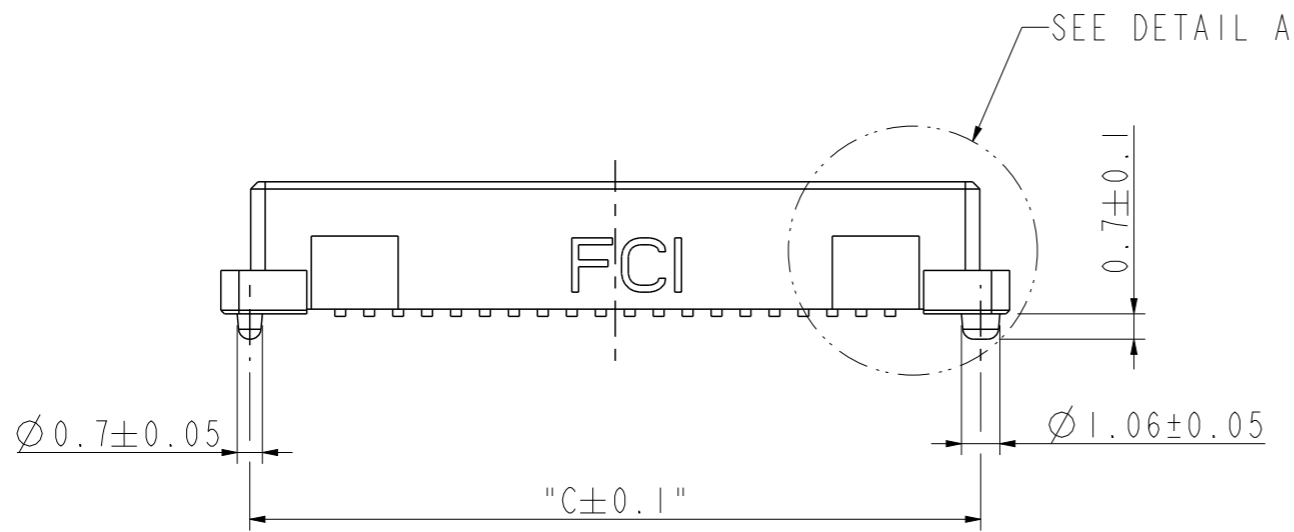
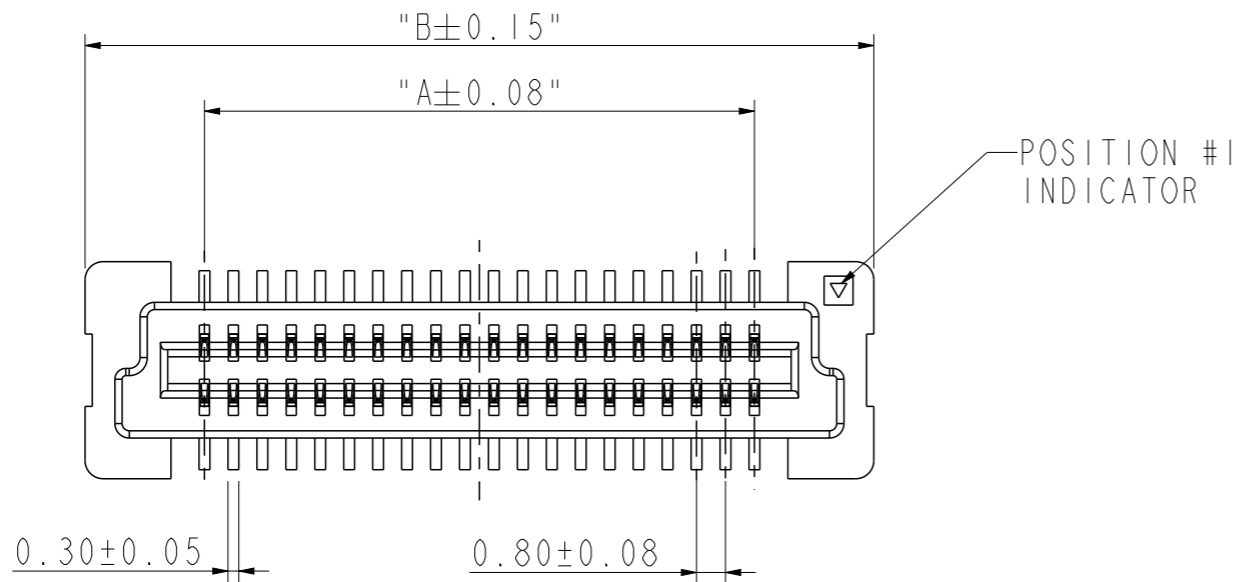
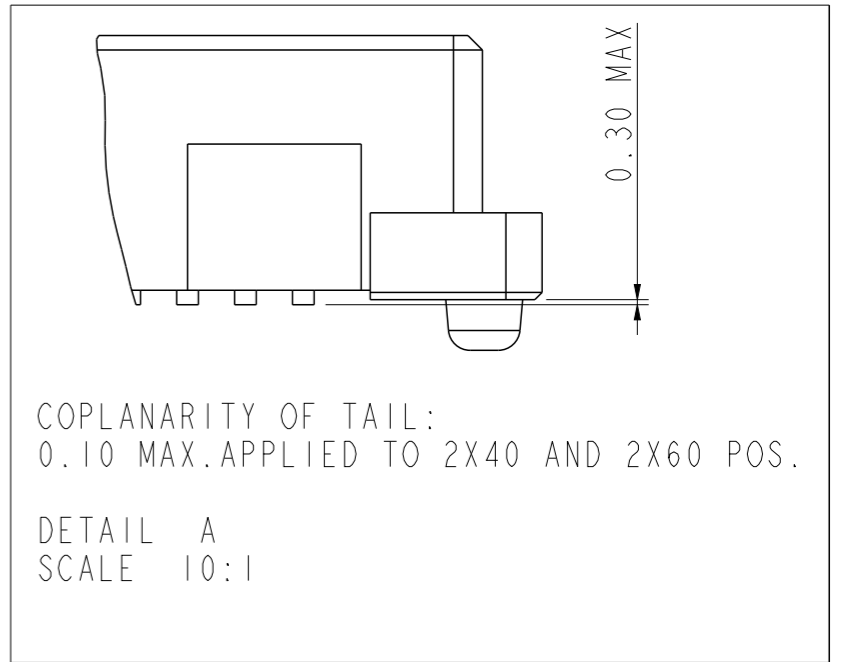
Amphenol
FCi

© 2016 AFCI

PRODUCT NO.	NUMBER OF POSITIONS	DIMENSION		
		A	B	C
10139781-081***	2X40	31.2	37.8	36.2
10139781-121***	2X60	47.2	53.8	52.2

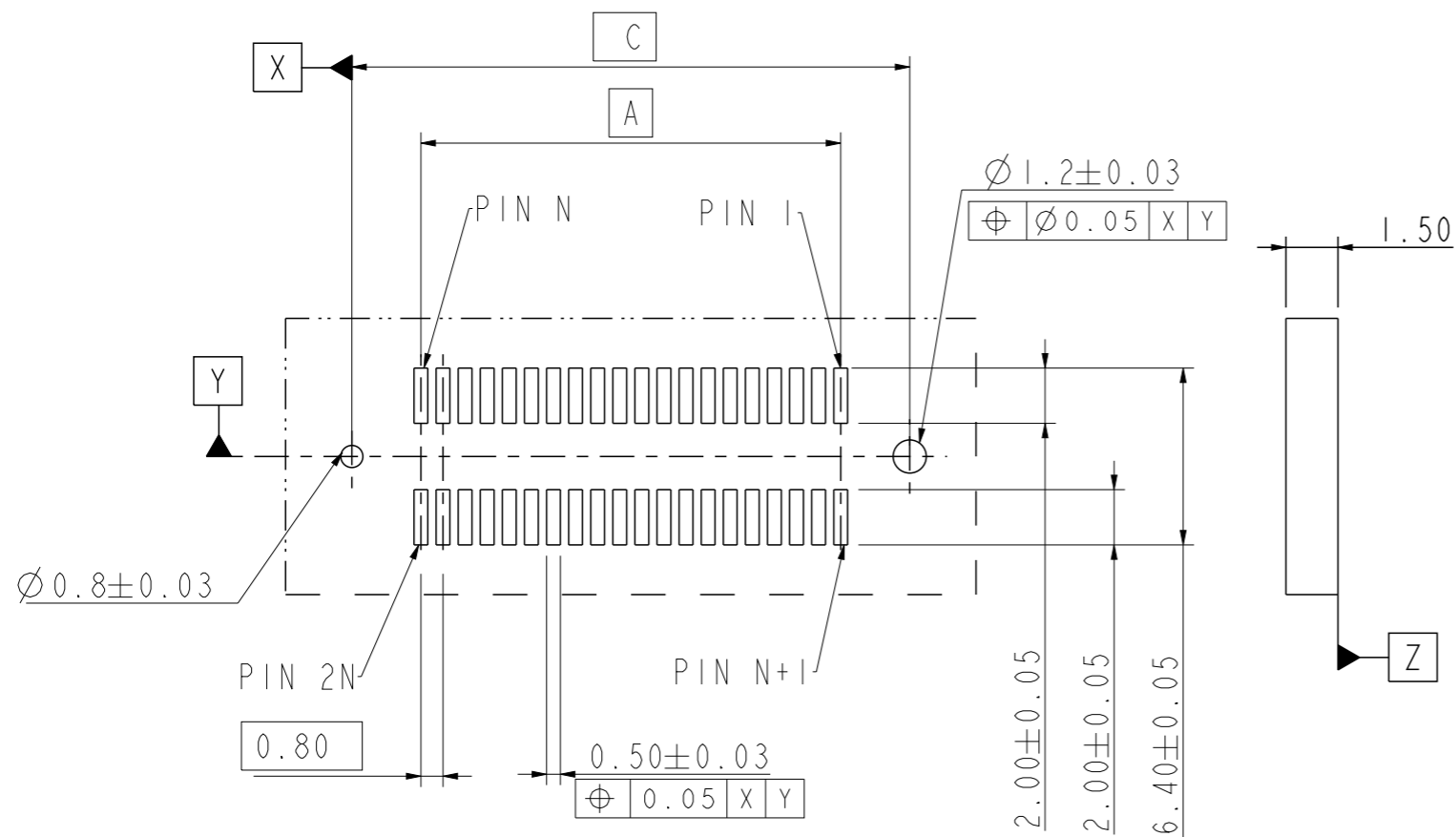
DATE CODE: XXXXXX
 DAY(01~31)
 MONTH(01~12)
 YEAR(00~99)

DETAIL F
 SCALE 5:1

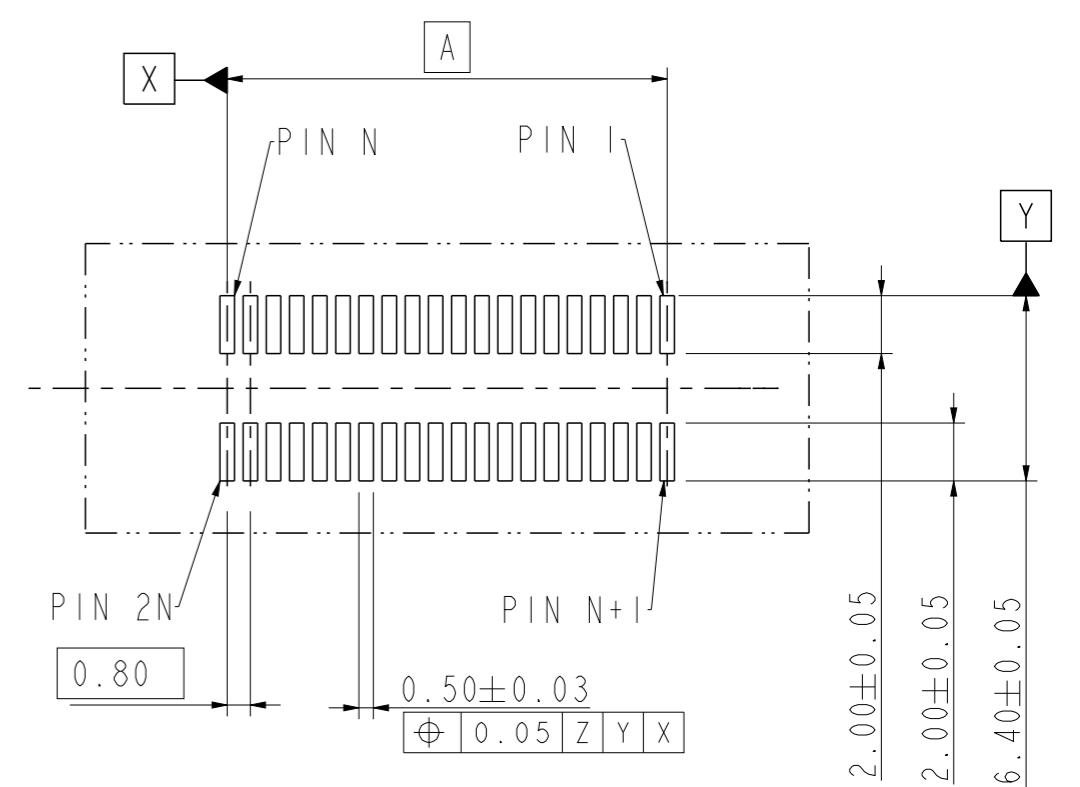


RECEPTACLE 1

spec ref	-	dr	Eric Huang	2016/08/02	projection	mm	size	A3	scale	DRAWING SCALE
tolerance std	ISO 406 ISO 1101	eng	Bob Gu	2018/01/05			ecn no	ELX-N-28955-1		
	TOLERANCES UNLESS OTHERWISE SPECIFIED	chr	-	-			rel level	Released		
surface	linear	appr	Tim Yao	2018/01/09	product family	BERGSTAK+ 0.8mm	dwg no	10139781		
	angular					RECEPTACLE CONN	rev	D		
ISO 1302	0.X ±0.3 0.XX ±0.15 0.XXX ±0.08	cat. no.	Product - Customer Drw			sheet 2 of 6				



RECOMMENDED PCB LAYOUT WITH PEGS
FOR NO. OF POSITION 2X40, 2X60



RECOMMENDED PCB LAYOUT WITHOUT PEGS
FOR NO. OF POSITION 2X40, 2X60

RECEPTACLE 1

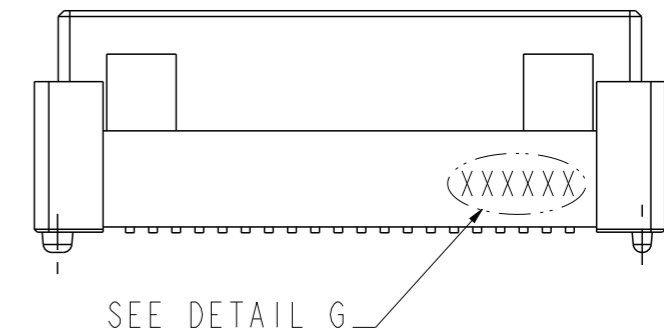
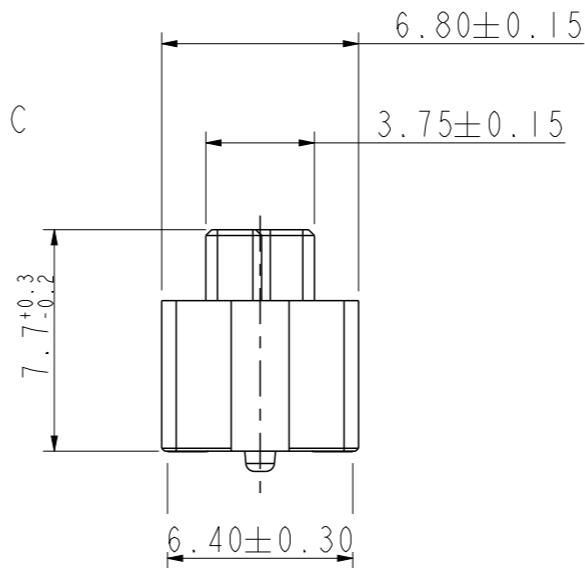
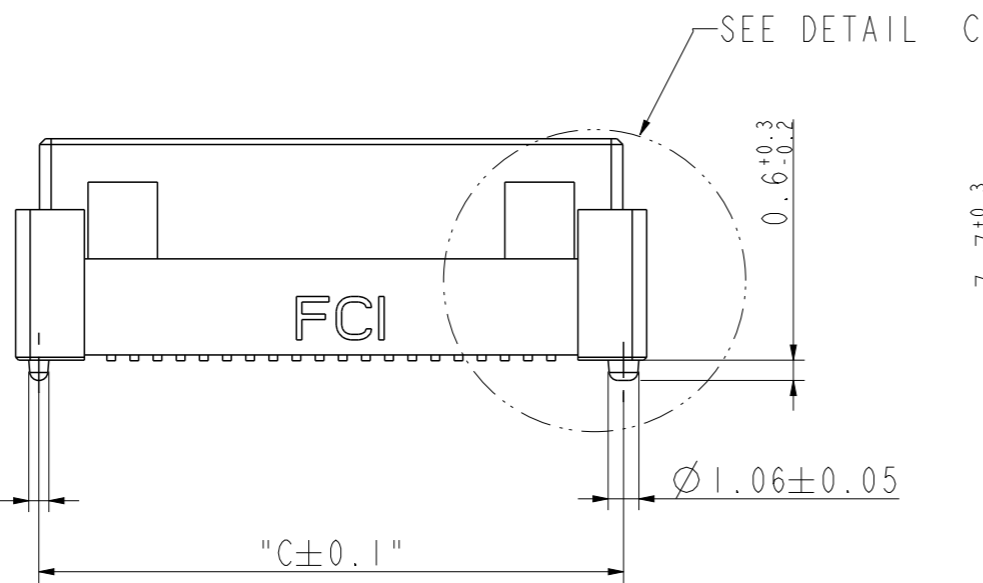
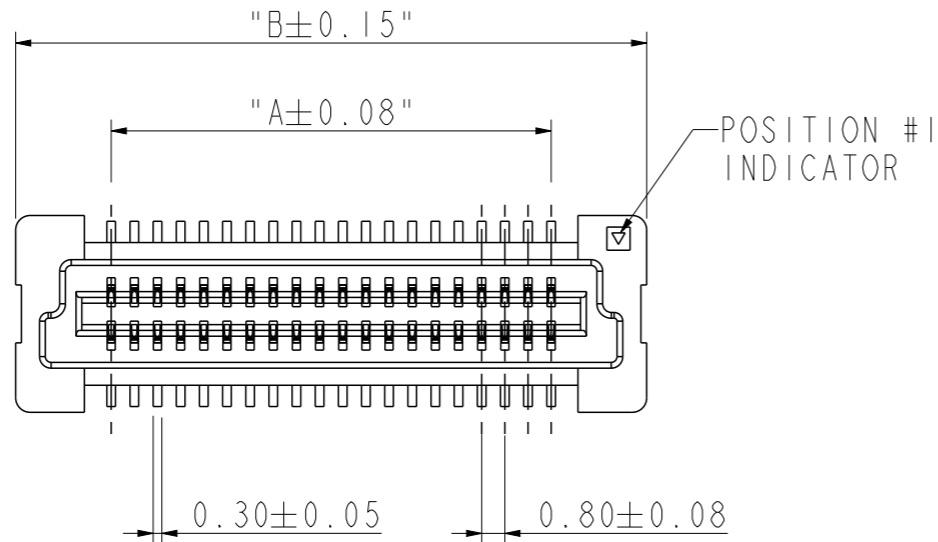
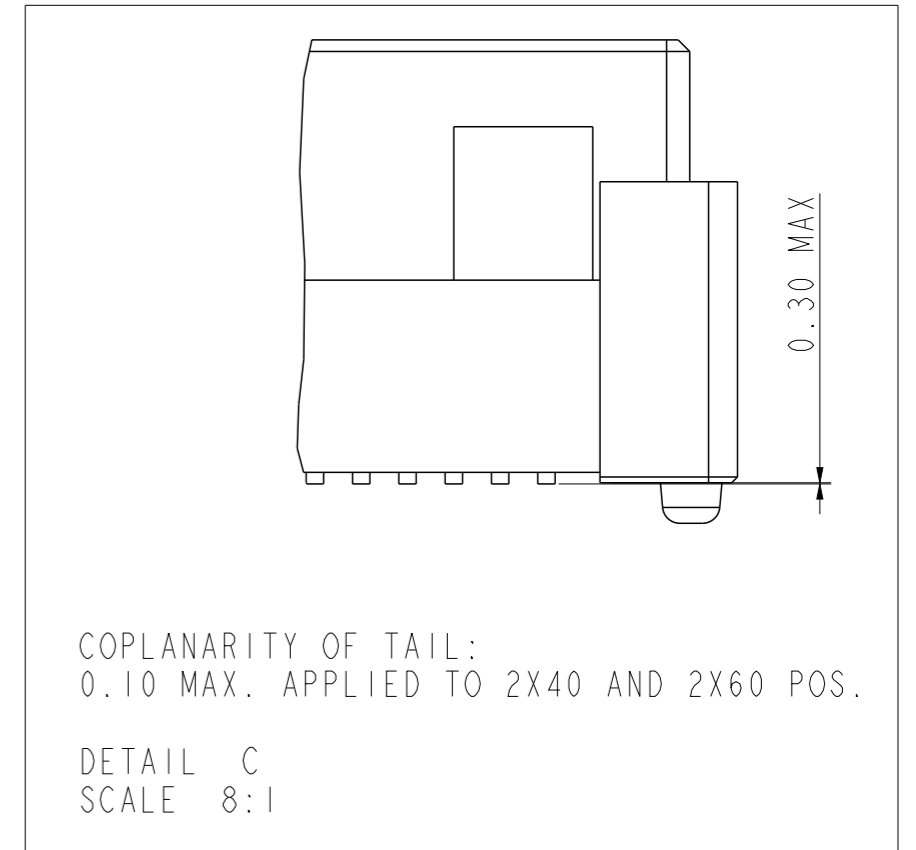
spec ref -		dr Eric Huang	2016/08/02	projection	mm	size A3	scale DRAWING SCALE
tolerance std ISO 406 ISO 1101		TOLERANCES UNLESS OTHERWISE SPECIFIED				ecn no ELX-N-28955-1	
		eng Bob Gu	2018/01/05			rel level Released	
surface		linear	0.X ±0.3	product family		dwg no 10139781	
			0.XX ±0.15	BERGSTAK+ 0.8mm		rev D	
			0.XXX ±0.08	RECEPTACLE CONN			
ISO 1302		angular	0° ±2°	cat. no.		Product - Customer Drw	
				Product - Customer Drw		sheet 3 of 6	

PRODUCT NO.	NUMBER OF POSITIONS	DIMENSION		
		A	B	C
10139781-082***	2X40	31.2	37.8	36.2
10139781-122***	2X60	47.2	53.8	52.2

DATE CODE: XXXXXX

DAY(01~31)
MONTH(01~12)
YEAR(00~99)

DETAIL G
SCALE 5:1



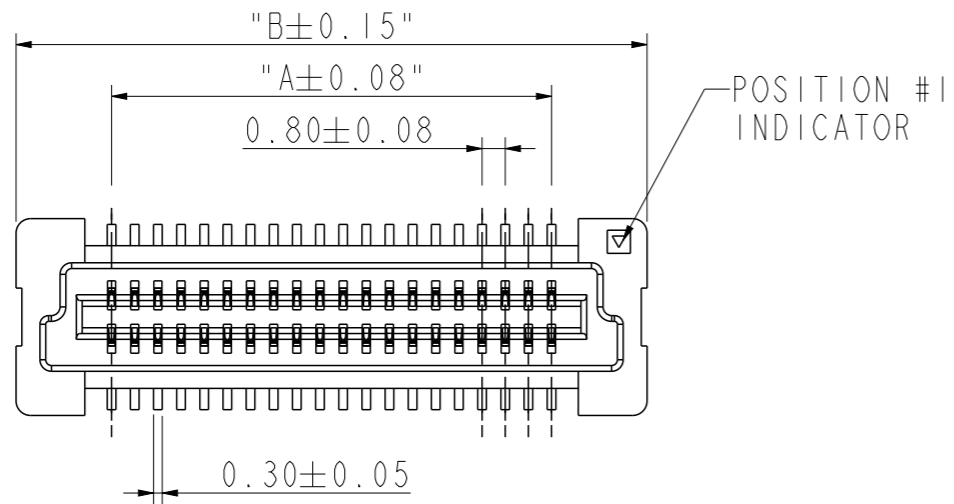
RECEPTACLE 2

spec ref	-	dr	Eric Huang	2016/08/02	projection	mm	size	A3	scale	DRAWING SCALE
tolerance std	ISO 406 ISO 1101	eng	Bob Gu	2018/01/05			ecn no	ELX-N-28955-1	rel level	Released
TOLERANCES UNLESS OTHERWISE SPECIFIED		chr	-	-			product family	rel level	Released	
surface	linear	0.X	±0.3	Amphenol FCI	BERGSTAK+ 0.8mm		dwg no 10139781	rev D		
		0.XX	±0.15		RECEPTACLE CONN					
		0.XXX	±0.08							
	angular	0°	±2°	cat. no.	Product - Customer Drw		sheet 4 of 6			

Amphenol FCI

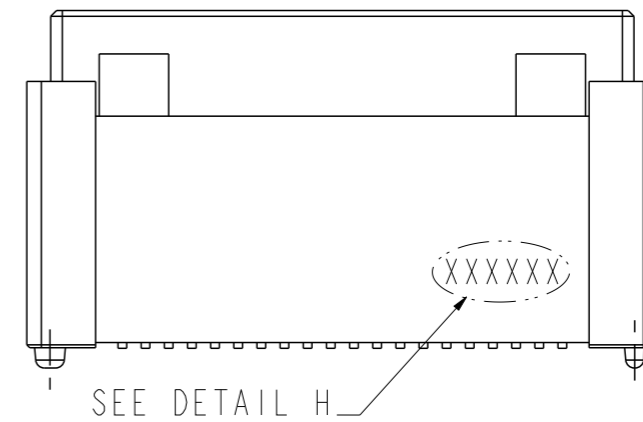
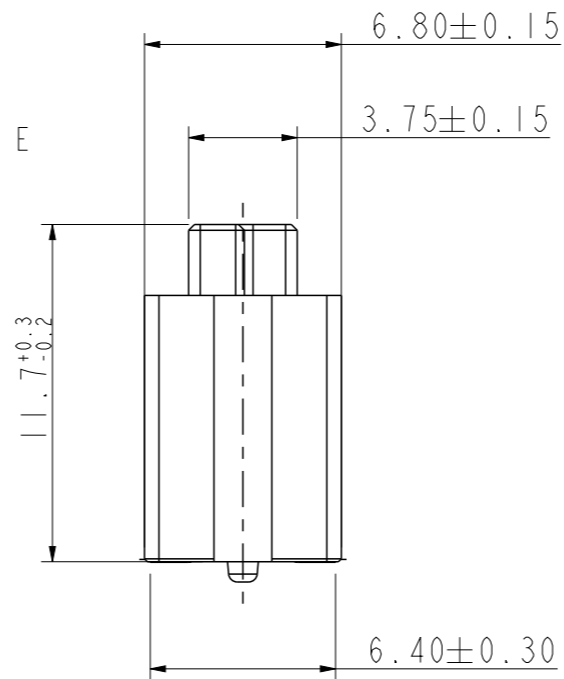
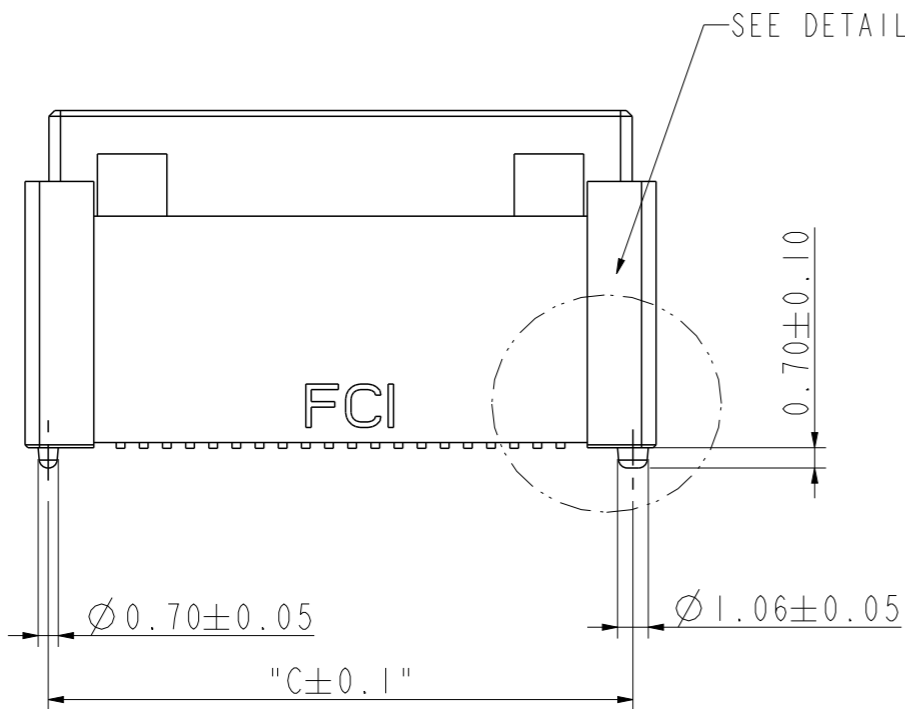
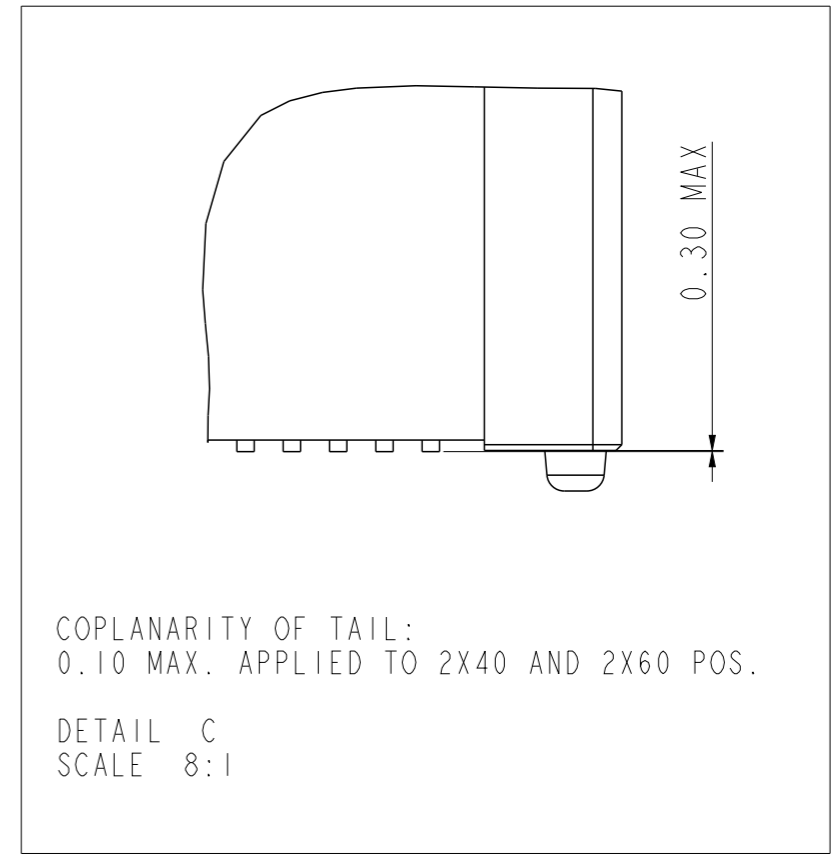
© 2016 AFCI

RECEPTACLE 3



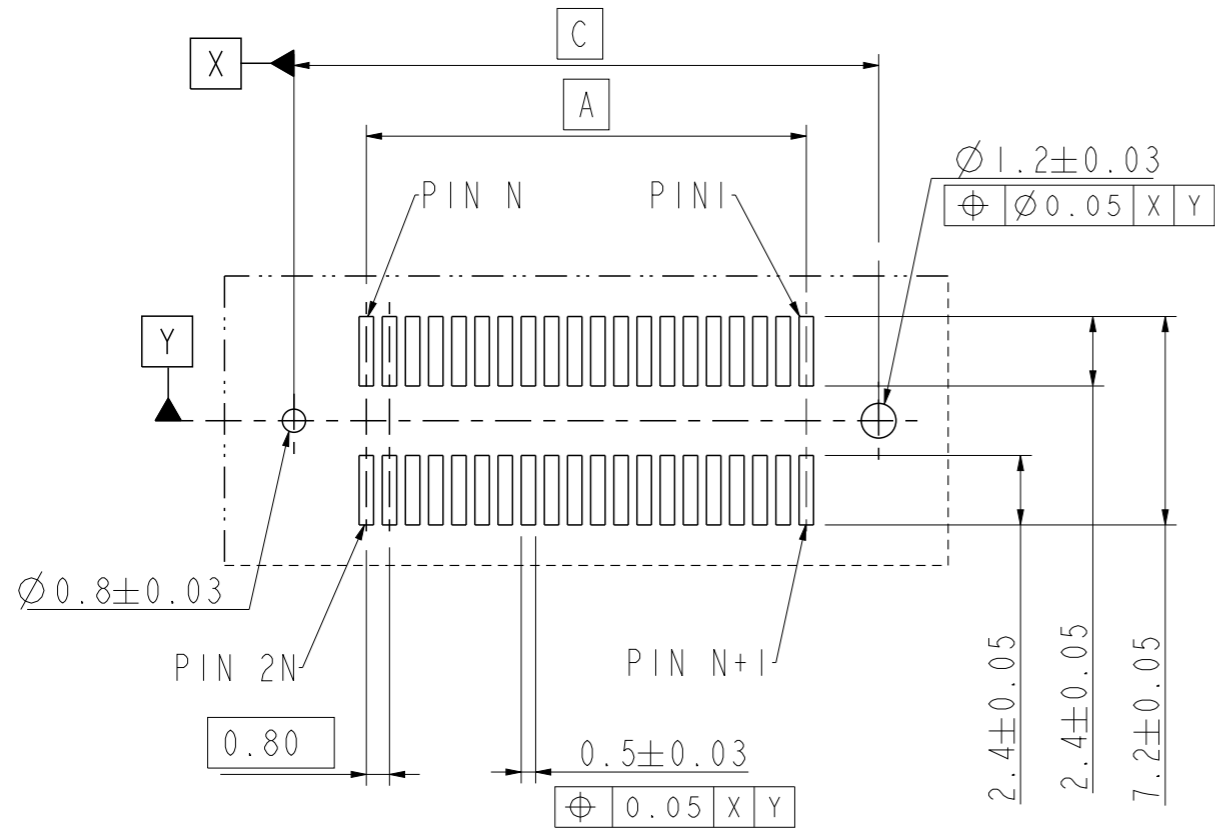
DATE CODE: XXXXXX
 DAY(01~31)
 MONTH(01~12)
 YEAR(00~99)

DETAIL H
 SCALE 5:1

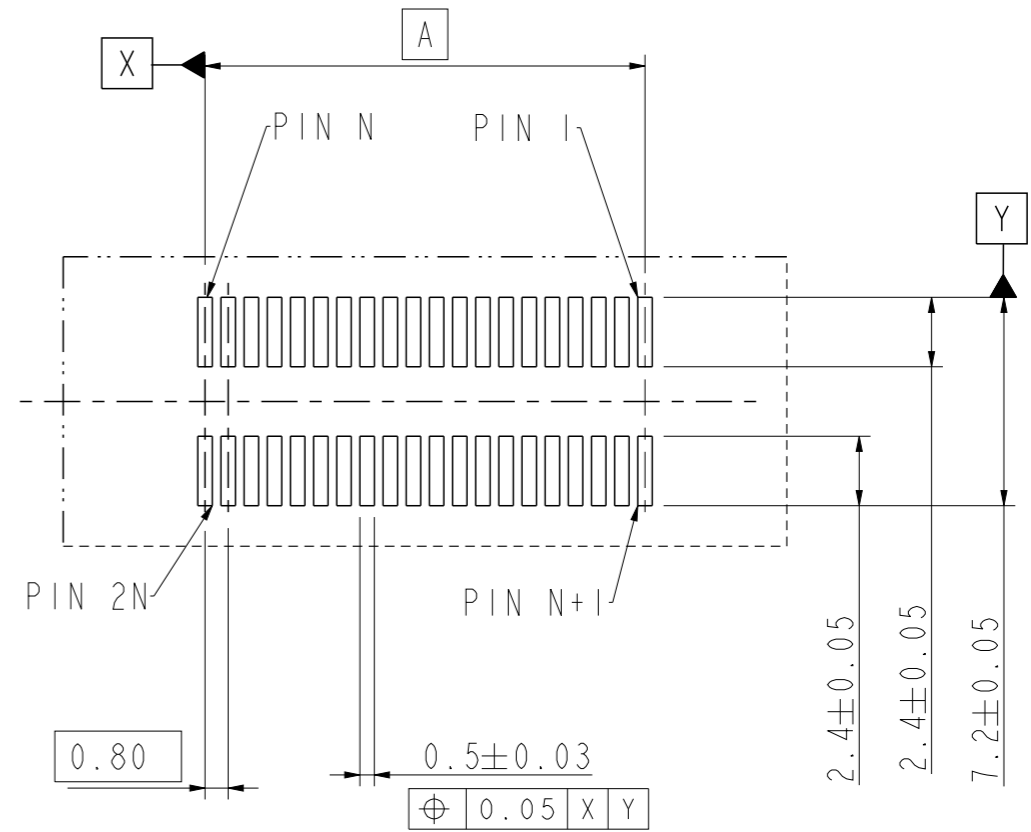


spec ref	-	dr	Eric Huang	2016/08/02	projection	mm	size	A3	scale	DRAWING SCALE
tolerance std	ISO 406 ISO 1101	eng	Bob Gu	2018/01/05			ecn no	ELX-N-28955-1		
TOLERANCES UNLESS OTHERWISE SPECIFIED		chr	-	-			product family	rel level	Released	
surface	linear	0.X	±0.3	Amphenol FCI	BERGSTAK+ 0.8mm		dwg no	10139781		rev
		0.XX	±0.15		RECEPTACLE CONN					
	angular	0°	±2°		cat. no.	Product - Customer Drw		sheet 5 of 6		

RECEPTACLE 2 & 3



RECOMMENDED PCB LAYOUT WITH PEGS
FOR NO. OF POSITION 2X40, ,2X60



RECOMMENDED PCB LAYOUT WITHOUT PEGS
FOR NO. OF POSITION 2X40, ,2X60

spec ref	-			dr	Eric Huang	2016/08/02	projection	mm	size	A3	scale	DRAWING SCALE
tolerance std	TOLERANCES UNLESS OTHERWISE SPECIFIED			eng	Bob Gu	2018/01/05			ecn no		ELX-N-28955-1	
ISO 406				chr	-	product family			rel level		Released	
ISO 1101				appr	Tim Yao	2018/01/09	product family		rel level		Released	
surface		linear	0.X	±0.3		BERGSTAK+ 0.8mm		dwg no	10139781		rev	D
			0.XX	±0.15		RECEPTACLE CONN						
ISO 1302	angular	0°	±2°	cat. no.		Product - Customer Drw		sheet 6 of 6				

Mouser Electronics

Authorized Distributor

Click to View Pricing, Inventory, Delivery & Lifecycle Information:

[FCI / Amphenol:](#)

[10139781-123402LF](#) [10139781-083402LF](#) [10139781-121402LF](#) [10139781-081402LF](#) [10139781-122402LF](#)
[10139781-082402LF](#) [10139781-063602PLF](#) [10139781-063602LF](#)