

RoHS COMPATIBLE PRODUCT NUMBER

54122-XXXXXXXXXLF

LEADED PRODUCT NUMBER

54122-XXX-XX-XXXX

AS AVAILABLE

PLATING

- 1 = 0.76µm GOLD/GXT ON CONTACT AREA
2µm MIN MATTE TIN ON TAIL
OVER 1.27µm Ni MIN
- 4 = 2µm MIN MATTE TIN
OVER 1.27µm Ni MIN
- 5 = 0.25µm GOLD/GXT ON CONTACT AREA
2µm MIN MATTE TIN ON TAIL
OVER 1.27µm Ni MIN
- 8 = 0.38µm GOLD/GXT ON CONTACT AREA
2µm MIN MATTE TIN ON TAIL
OVER 1.27µm Ni MIN

RoHS COMPATIBLE
SEE NOTE 9

R : RETENTIVE LEG
NOTE 8

STACK HEIGHT, NOTE 6

TOTAL NB OF POSITIONS
04 TO 72

OAL	PIN STYLE
11.17	29
12.2	01
13.5	02
15.9	03
16.56	15
16.76	04
17.65	05
18.91	06
20.50	28
20.96	07
22.40	19
23.5	08
26.04	09
26.42	14
28.00	18
28.58	10
29.70	31
30.48	20
31.12	11
32.15	21
33.66	12
34.00	13
36.20	16
37.30	22
40.00	30
42.30	24
43.00	25
47.00	26
52.00	27

NOTES:

1. HOUSING MAT'L : HIGH TEMPERATURE THERMOPLASTIC. UL94V-0 COLOR: BLACK
2. PIN MATERIAL : PHOSPHOR BRONZE
3. STANDARD PACKAGING IN POLYBAG
4. 9N MIN RETENTION IN EITHER DIRECTION
5. TO DETERMINE DIMENSIONS :
N = NUMBER OF POSITIONS PER ROW
EXAMPLE : 8 POS PER ROW, N x 2.54 = 20.32mm
6. XXXX = MILLIMETERS
SPECIFY MILLIMETERS
5.0mm MIN TO 60.00mm MAX AVAILABLE
OAL 65.0MM MAX AVAILABLE.
EXAMPLE FOR STACK HEIGHT: $1 \underline{2} \underline{5} \underline{0} = 12.5\text{mm}$
7. MATING LENGTH = (OAL)-(3.05)-(STACK HEIGHT)
8. RETENTION IS APPLIED TO TWO ADJACENT PINS AT EACH END OF THE PRODUCT SEE SCHEMA 1
OMIT FROM PRODUCT NUMBER IF THIS FEATURE IS NOT APPLICABLE
9. RoHS COMPATIBLE PRODUCT SPECIFICATIONS

a - PLATING:

- "LF" MEANS THE PRODUCT IS LEAD-FREE,
2µm MINIMUM MATTE TIN OVER 1.27µm
MINIMUM NICKEL UNDERPLATE.

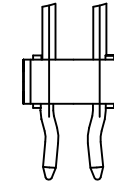
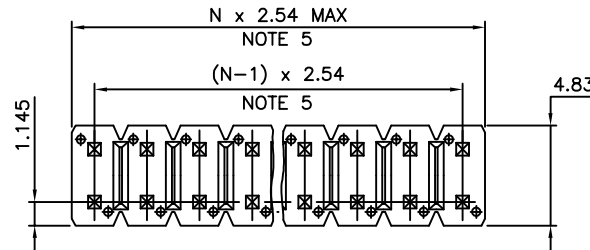
b - MANUFACTURING PROCESS COMPATIBILITY

- THE HOUSING WILL WITHSTAND EXPOSURE TO
260°C ±5°C SOLDER BATH TEMPERATURE FOR
5 SECONDS IN A WAVE SOLDER APPLICATION
WITH A 1.6mm MIN THICK CIRCUIT BOARD.

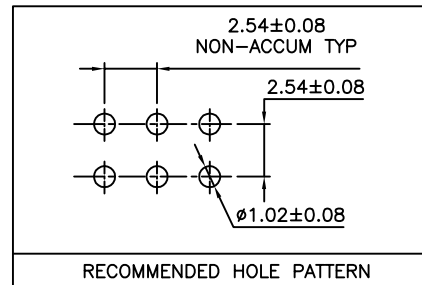
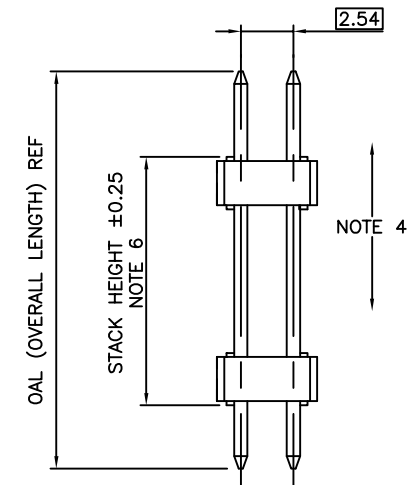
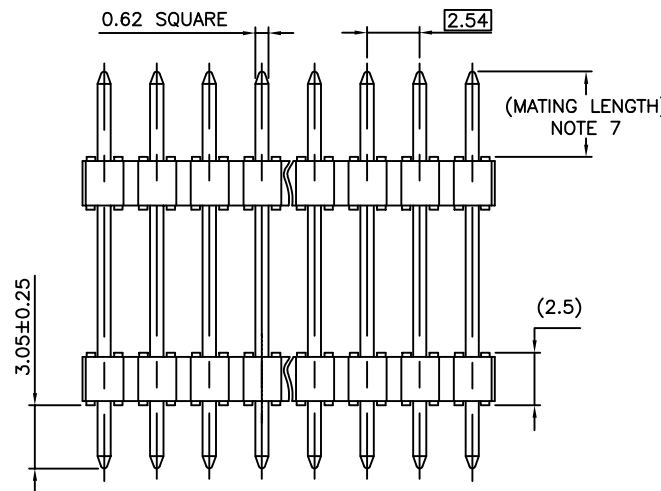
c - LABELLING:

- MEETS PACKAGING SPECS AS PER GS-14-920

- d - THIS PRODUCT MEETS EUROPEAN UNION DIRECTIVES
AND OTHER COUNTRY REGULATIONS AS DESCRIBED
IN GS-47-0004.



SCHEMA 1
TWO RETENTION PIN AT EACH
END OF THE PRODUCT



mat'l. code SEE NOTES		surface ISO 1302	tolerance ISO 406 ISO 1101	projection mm	product family BERGSTIK
ltr	ecn no	dr	date	tolerances unless otherwise specified	title
R	F-22228	AMA	15.10.20	angles linear x.x ±0.3	UNSHR.HEADER STR DR TMT
S	F-26104	LMU	17.02.16	x.xxx ±0.13 x.xxx ±0.05	
L	B-15673	LMU	13.02.14	dr D.LE	01.01.24
M	B-18962	LMU	14.09.29	engr JM.C	01.01.24
N	B-19782	AMA	14.12.16	chr JM.C	01.01.24
P	B-20598	AMA	15.03.30	appd JF.N	01.01.24
sheet index	revision sheet				scale 4:1
					product family BERGSTIK
					title UNSHR.HEADER STR DR TMT
					dwg no 54122
					sheet 1 of 1 size A3
					type CUSTOMER Drawing

Mouser Electronics

Authorized Distributor

Click to View Pricing, Inventory, Delivery & Lifecycle Information:

[FCI / Amphenol:](#)

[54122-103120800LF](#) [54122-103140900LF](#) [54122-103160800LF](#) [54122-104200800LF](#) [54122-104260800LF](#) [54122-105240950LF](#) [54122-105720950LF](#) [54122-106040800LF](#) [54122-106041100LF](#) [54122-106061000LF](#) [54122-106080800LF](#) [54122-106081000LF](#) [54122-106101000RLF](#) [54122-106120800RLF](#) [54122-106140800LF](#) [54122-106140850LF](#) [54122-106200800LF](#) [54122-106200950LF](#) [54122-106201100LF](#) [54122-106381000LF](#) [54122-106401000LF](#) [54122-106401050LF](#) [54122-106720850LF](#) [54122-106721000LF](#) [54122-107041200LF](#) [54122-107081200LF](#) [54122-107120950LF](#) [54122-107120950RLF](#) [54122-107140800LF](#) [54122-107721150LF](#) [54122-107721200LF](#) [54122-108080900LF](#) [54122-108081000LF](#) [54122-108200800LF](#) [54122-108201050LF](#) [54122-108201250LF](#) [54122-108201400LF](#) [54122-108301400RLF](#) [54122-108720950LF](#) [54122-108721450LF](#) [54122-109061200LF](#) [54122-109101500LF](#) [54122-109101600LF](#) [54122-109141650LF](#) [54122-109141800LF](#) [54122-109160800LF](#) [54122-109201250LF](#) [54122-109201650LF](#) [54122-109201650TLF](#) [54122-109221500LF](#) [54122-109321350LF](#) [54122-109341500LF](#) [54122-109401650LF](#) [54122-109721500LF](#) [54122-109721650LF](#) [54122-109721750LF](#) [54122-110042150LF](#) [54122-110081550LF](#) [54122-110101500LF](#) [54122-110121900LF](#) [54122-110122150LF](#) [54122-110141550LF](#) [54122-110161800LF](#) [54122-110201950LF](#) [54122-110202150LF](#) [54122-110221500LF](#) [54122-110221700LF](#) [54122-110241700LF](#) [54122-110242000LF](#) [54122-110321300LF](#) [54122-110322000LF](#) [54122-110341500LF](#) [54122-110361900LF](#) [54122-110501450LF](#) [54122-110701800LF](#) [54122-11062000LF](#) [54122-111161650LF](#) [54122-111221700LF](#) [54122-111402000LF](#) [54122-111722000LF](#) [54122-112042000LF](#) [54122-112082000LF](#) [54122-112101850LF](#) [54122-112261950LF](#) [54122-112261950RLF](#) [54122-112282200LF](#) [54122-112401850LF](#) [54122-112722500LF](#) [54122-113182400LF](#) [54122-113202350LF](#) [54122-113202350RLF](#) [54122-113402350LF](#) [54122-113402350RLF](#) [54122-114081450LF](#) [54122-114101800LF](#) [54122-114181450LF](#) [54122-114201800LF](#) [54122-114501450LF](#) [54122-116082000LF](#) [54122-116122000RLF](#)