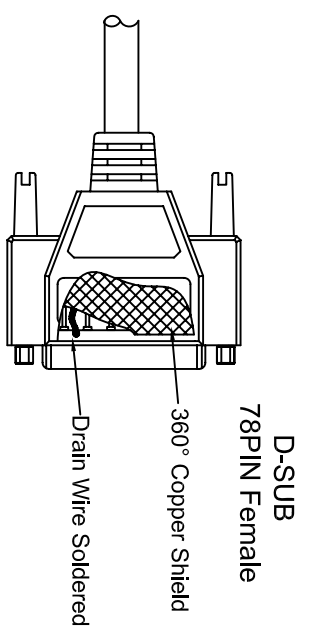
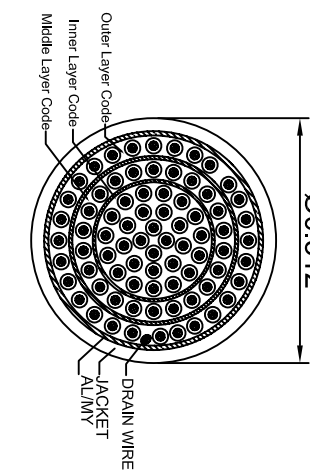
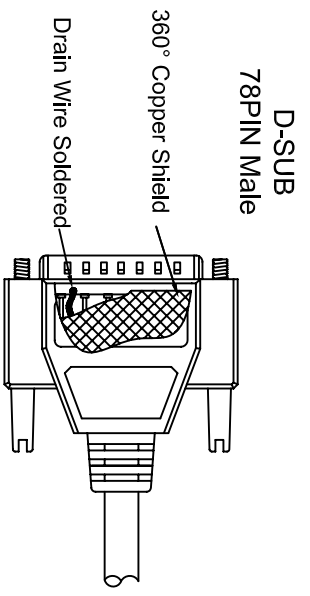
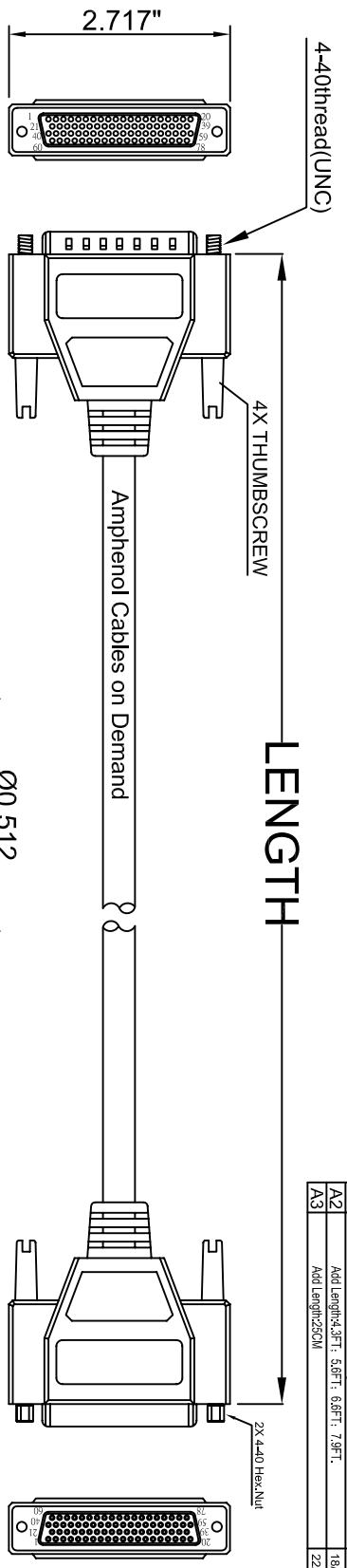


THE INFORMATION CONTAINED IN THIS DRAWING IS THE SOLE PROPERTY OF AMPHENEL CABLES ON DEMAND. ANY REPRODUCTION OR DISCLOSURE TO THIRD PARTIES IN PART OR WHOLE WITHOUT THE EXPRESS WRITTEN PERMISSION OF AMPHENEL CABLES ON DEMAND IS PROHIBITED.

REV	DESCRIPTION	DATE	APPROVED
A	NEW RELEASE	03/01/07	
A1	Add wiring color	16/JAN/2012	
A2	Add Length:4.3FT. 5.8FT. 7.9FT.	18/APR/2012	
A3	Add Length:25CM	22/AUG/2016	



SEC A-A

LENGTH & P/N Table

LENGTH	P/N	Cable Color
25CM+3/-1CM		GREY
2.5FT ±1.2 inch	CS-DSDHD78MF0-002.5	GREY
5FT ±2 inch	CS-DSDHD78MF0-005	GREY
10FT ±3 inch	CS-DSDHD78MF0-010	GREY
25FT ±4 inch	CS-DSDHD78MF0-025	GREY
50FT ±8 inch	CS-DSDHD78MF0-050	GREY
4.3FT ±1.2 inch	CS-DSDHD78MF0-004.3	GREY
5.6FT ±1.2 inch	CS-DSDHD78MF0-005.6	GREY
6.6FT ±2 inch	CS-DSDHD78MF0-006.6	GREY
7.9FT ±2 inch	CS-DSDHD78MF0-007.9	GREY

PIN OUT:		Inner Layer Code		Middle Layer Code		Outer Layer Code		
Male	Female	Color	Male	Female	Color	Male	Female	
PIN1	—	Black	PIN29	—	Black	PIN51	—	Black
PIN2	—	Brown	PIN30	—	Brown	PIN52	—	Brown
PIN3	—	Red	PIN31	—	Red	PIN53	—	Red
PIN4	—	Orange	PIN32	—	Orange	PIN54	—	Orange
PIN5	—	Yellow	PIN33	—	Yellow	PIN55	—	Yellow
PIN6	—	Green	PIN34	—	Green	PIN56	—	Green
PIN7	—	Blue	PIN35	—	Blue	PIN57	—	Blue
PIN8	—	Purple	PIN36	—	Purple	PIN58	—	Purple
PIN9	—	Gray	PIN37	—	Gray	PIN59	—	Gray
PIN10	—	White	PIN38	—	White	PIN60	—	White
PIN11	—	Light Green	PIN39	—	Light Green	PIN61	—	Pink
PIN12	—	Pink	PIN40	—	Light Green	PIN62	—	Pink
PIN13	—	Black/White	PIN41	—	Black/White	PIN63	—	Light Green
PIN14	—	Brown/White	PIN42	—	Brown/White	PIN64	—	Brown/White
PIN15	—	Red/White	PIN43	—	Red/White	PIN65	—	Red/White
PIN16	—	Orange/White	PIN44	—	Orange/White	PIN66	—	Orange/White
PIN17	—	Green/White	PIN45	—	Green/White	PIN67	—	Green/White
PIN18	—	Blue/White	PIN46	—	Blue/White	PIN68	—	Blue/White
PIN19	—	Purple/White	PIN47	—	Purple/White	PIN69	—	Purple/White
PIN20	—	Red/Black	PIN48	—	Red/Black	PIN70	—	Red/Black
PIN21	—	Orange/Black	PIN49	—	Orange/Black	PIN71	—	Orange/Black
PIN22	—	Yellow/Black	PIN50	—	Yellow/Black	PIN72	—	Yellow/Black
PIN23	—	Green/Black				PIN73	—	Green/Black
PIN24	—	Gray/Black				PIN74	—	Gray/Black
PIN25	—	Pink/Black				PIN75	—	Pink/Black
PIN26	—	Pink/Red				PIN76	—	Pink/Red
PIN27	—	Pink/Blue				PIN77	—	Pink/Blue
PIN28	—	Pink/Green				PIN78	—	Pink/Green



NOTES: UNLESS OTHERWISE SPECIFIED

UNLESS OTHERWISE SPECIFIED DIMENSIONS ARE IN INCHES TOLERANCES ARE:		EQR NO.		Amphenel Cables on Demand 20 VALLEY ST. ENDCOTT, NY 13760	
DEMIAS		APPROVALS	DATE	ASM CBL Deluxe High Density 78PIN D-Sub MF	
.X	±X	LF	22/Aug/2016		
.XX	±XX	CHECKED	22/Aug/2016		
.XXX	±XXX	BA		SIZE	DWG. NO.
THIRD ANGLE PROJECTION			RESP ENG	A	CS-DSDHD78MF0-XXX
DOW FILE		SCALE	SHEET	OF	REV. A3

Mouser Electronics

Authorized Distributor

Click to View Pricing, Inventory, Delivery & Lifecycle Information:

[Amphenol:](#)

[CS-DSDHD78MF0-010](#) [CS-DSDHD78MF0-002.5](#) [CS-DSDHD78MF0-025](#) [CS-DSDHD78MF0-005](#)