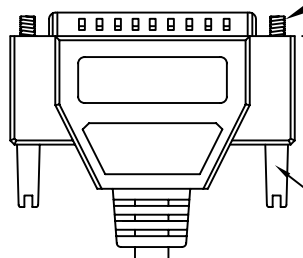
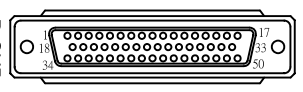
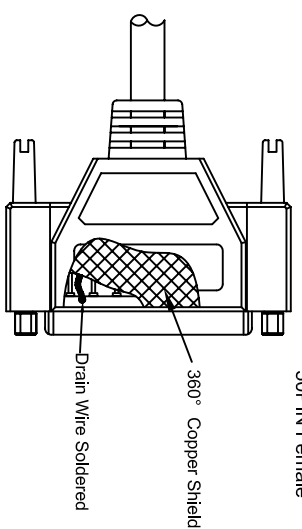
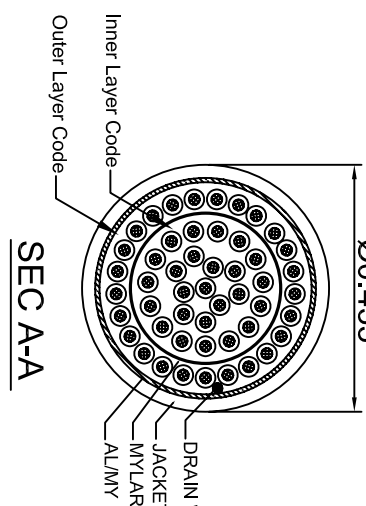
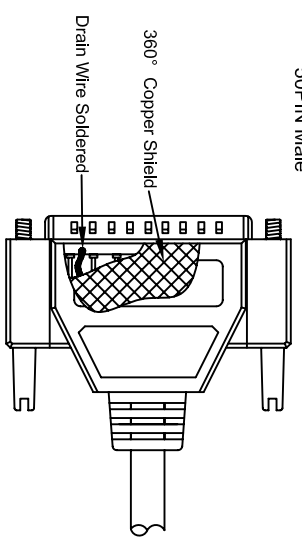
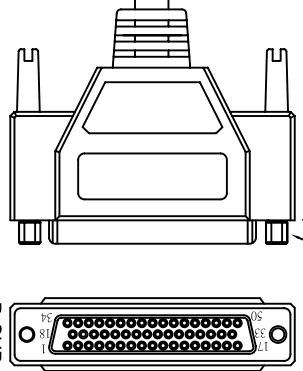


REV.	DESCRIPTION	DATE	APPROVED
A	NEW RELEASE	18/01/07	
A1	Add wiring color	16/JAN/2012	

LENGTH



Amphenol Cables on Demand



PIN OUT:

Inner Layer Code		Outer Layer Code	
Male	Female	Male	Female
Color	Color	Color	Color
PIN1	PIN1	PIN26	PIN26
PIN2	PIN2	PIN27	PIN27
PIN3	PIN3	PIN28	PIN28
PIN4	PIN4	PIN29	PIN29
PIN5	PIN5	PIN30	PIN30
PIN6	PIN6	PIN31	PIN31
PIN7	PIN7	PIN32	PIN32
PIN8	PIN8	PIN33	PIN33
PIN9	PIN9	PIN34	PIN34
PIN10	PIN10	PIN35	PIN35
PIN11	PIN11	PIN36	PIN36
PIN12	PIN12	PIN37	PIN37
PIN13	PIN13	PIN38	PIN38
PIN14	PIN14	PIN39	PIN39
PIN15	PIN15	PIN40	PIN40
PIN16	PIN16	PIN41	PIN41
PIN17	PIN17	PIN42	PIN42
PIN18	PIN18	PIN43	PIN43
PIN19	PIN19	PIN44	PIN44
PIN20	PIN20	PIN45	PIN45
PIN21	PIN21	PIN46	PIN46
PIN22	PIN22	PIN47	PIN47
PIN23	PIN23	PIN48	PIN48
PIN24	PIN24	PIN49	PIN49
PIN25	PIN25	PIN50	PIN50
		SHIELD	SHIELD
			Drain Wire

LENGTH & P/N Table

LENGTH	P/N	Cable Color
2.5FT ± 1 inch	CS-DSDMDB50MF-002.5	GREY
5FT ± 2 inch	CS-DSDMDB50MF-005	GREY
10FT ± 3 inch	CS-DSDMDB50MF-010	GREY
15FT ± 3 inch	CS-DSDMDB50MF-015	GREY
25FT ± 4 inch	CS-DSDMDB50MF-025	GREY
50FT ± 8 inch	CS-DSDMDB50MF-050	GREY



Amphenol Cables on Demand

20 VALLEY ST, ENDCOTT, NY 13760

ASM CBL Deluxe 50PIN D-Sub MF

UNLESS OTHERWISE SPECIFIED DIMENSIONS ARE IN INCHES TOLERANCES ARE:		APPROVALS		DATE	
DECIMALS	±.X	DRAWN	LF	16/JAN/2012	
X	±.XX	CHECKED	BA	16/JAN/2012	
.XX	±.XXX	RESP ENG			
XXX	±.XXX	MP/ENG			
THIRD ANGLE PROJECTION			SIZE DWG. NO. CS-DSDMDB50MF-XXX		
SCALE			SHEET OF		

NOTES: UNLESS OTHERWISE SPECIFIED

4

4

3

2

1

REV. A1

Mouser Electronics

Authorized Distributor

Click to View Pricing, Inventory, Delivery & Lifecycle Information:

[Amphenol:](#)

[CS-DSDMDB50MF-002.5](#) [CS-DSDMDB50MF-050](#) [CS-DSDMDB50MF-025](#) [CS-DSDMDB50MF-010](#) [CS-DSDMDB50MF-005](#) [CS-DSDMDB50MF-015](#)