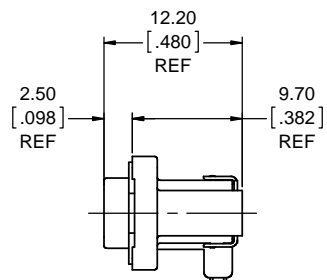
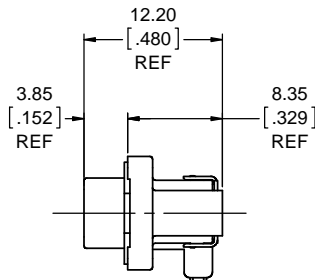


REVISIONS			
REV	DESCRIPTION, ECN, EAR NO.	DATE	APP'D
A	PROPOSAL DRAWING (EAR 14162)	SEP9/14	K.L.
B	UPDATED PCB LAYOUT (EAR 14162)	JUL8/15	K.L.

FRONT FLANGE POSITION



REAR FLANGE POSITION



ORDERING CODE: MUSB-R-B151-XX

SERIES, RUGGED USB

USB MINI-B RECEPTACLE
RIGHT ANGLE PCB TAILS

FLANGE & THREAD OPTION

3 = FRONT FLANGE POS'N,

#2-56 UNC THREAD

5 = REAR FLANGE POS'N,

#2-56 UNC THREAD

M = FRONT FLANGE POS'N,

M2.5 x 0.45 THREAD

T = REAR FLANGE POS'N,

M2.5 x 0.45 THREAD

DUST COVER OPTION

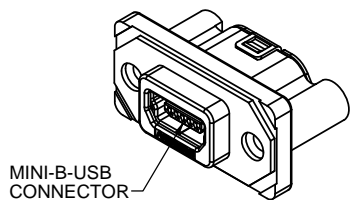
0 = WITH NO DUST COVER SUPPLIED

1 = WITH GREY DUST COVER SUPPLIED

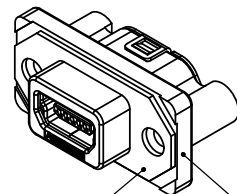
5 = WITH BLACK DUST COVER SUPPLIED

SPECIAL CONNECTORS

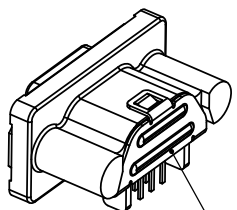
MANY UNIQUE FEATURES ARE READILY AVAILABLE TO SUIT CUSTOMER REQUIREMENTS. CONSULT WITH AMPHENOL CANADA FOR DETAILS.



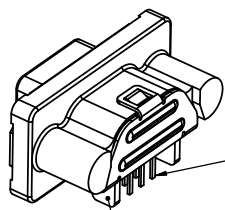
MINI-B-USB CONNECTOR



GASKET DIECAST SHELL



REAR COVER



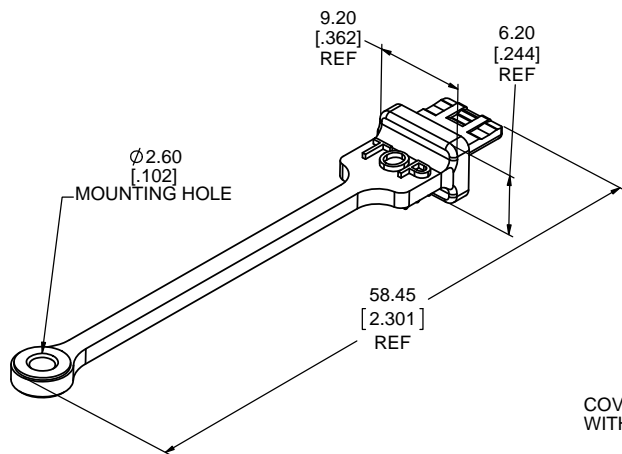
RIGHT ANGLE PCB TAILS

GROUND TAILS

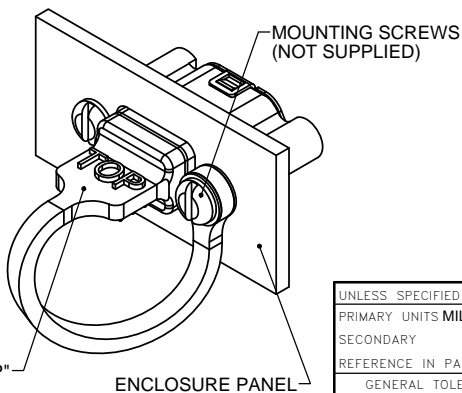
NOTES:

- MATERIAL:
ALL MATERIALS ARE RoHS COMPLIANT PER EU DIRECTIVE 2011/65/EU AND AMENDMENTS
 - OUTER SHELL: DIECAST ZINC ALLOY, MATTE TIN OVER NICKEL PLATED
 - CONTACTS: PHOSPHOR BRONZE, PLATED WITH 0.76 μm [30μ"] MINIMUM GOLD OVER 1.27 μm [50μ"] MINIMUM NICKEL ON THE MATING AREA WITH MATTE TIN OVER NICKEL ON THE TAILS
 - USB HOUSING: ENGINEERING THERMOPLASTIC LCP, HIGH TEMPERATURE RESISTANT, FLAMMABILITY RATING UL94V-0, BLACK
 - USB SHIELD & REAR COVER: STAINLESS STEEL, PASSIVATED
 - GASKET: CONDUCTIVE SILICONE RUBBER, BLACK
- ENVIRONMENTAL PERFORMANCE PER IEC 60529 CODE IP67 FOR SEAL BETWEEN MATING AREA AND PCB SIDE OF CONNECTOR. GASKET PROVIDES SEAL TO INSIDE FACE OF ENCLOSURE PANEL. AVAILABLE DUST COVERS PROVIDE ADDED PROTECTION.
- CURRENT RATING: 1 AMPERE.
- CONTACT RESISTANCE: 50 MILLIOHMS MAXIMUM.
- OPERATING TEMPERATURE: -40°C TO +105°C.
- DUST COVERS MAY BE ORDERED SEPARATELY. SPECIFY:
 - PART NUMBER MUSB-2E151-005BP FOR GREY COVER
 - PART NUMBER MUSB-2E151-015BP FOR BLACK COVER

DUST COVER OPTION



DUST COVER APPLICATION VIEW



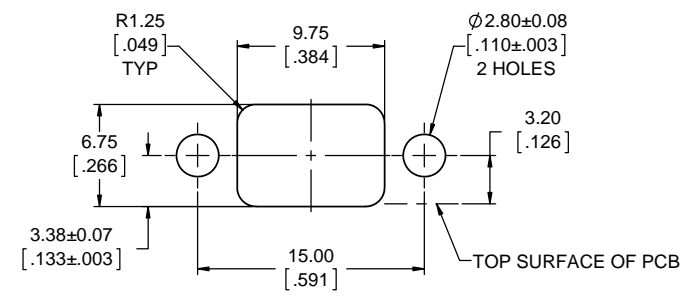
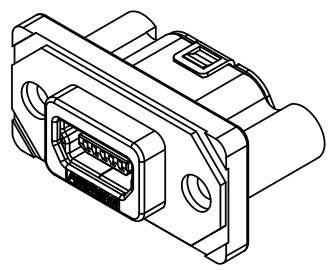
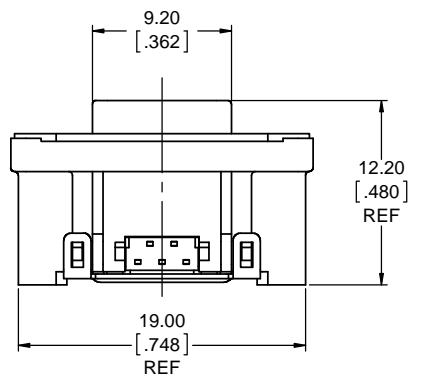
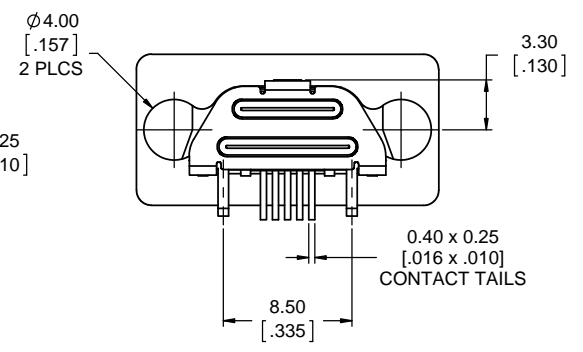
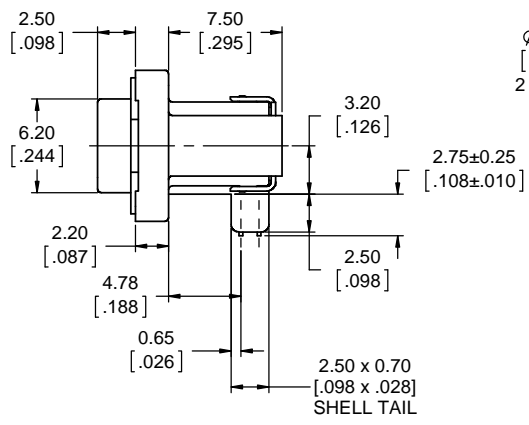
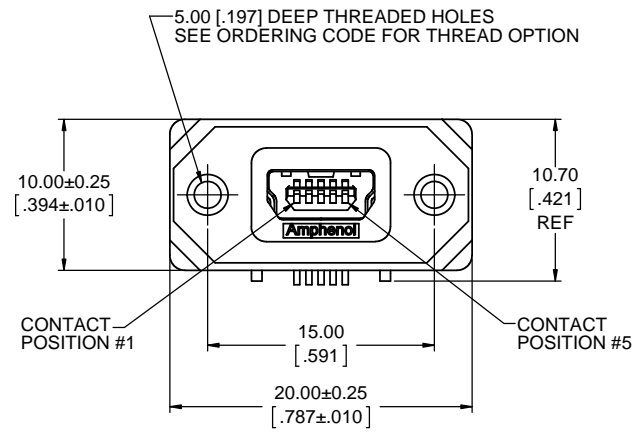
COVER HANDLE WITH MARK "TOP"

ENCLOSURE PANEL

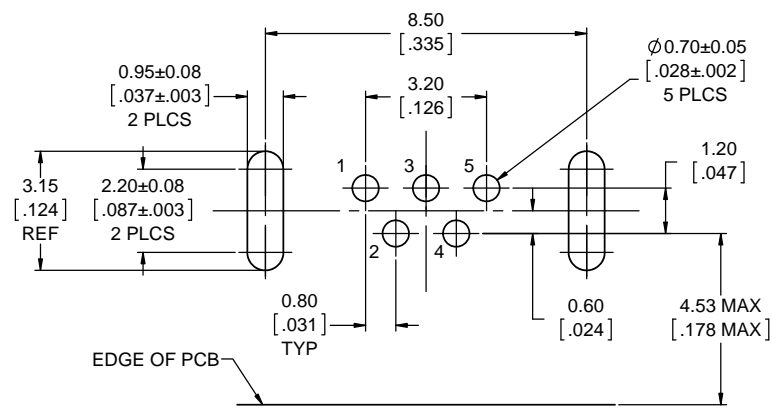
UNLESS SPECIFIED OTHERWISE	DRAWN	B.COPPING	SEP10/14
PRIMARY UNITS MILLIMETERS	CHECKED	K.LAMBIE	SEP10/14
SECONDARY UNITS INCHES	M.E. APP'D		
REFERENCE IN PARENTHESES	Q.A. APP'D		
GENERAL TOLERANCES	DWG APPR.		
1 DECIMAL PLACE	ENG. REL. NO.	EAR 14162	
2 DECIMAL PLACES ±0.15	REF.		
3 DECIMAL PLACES	THIRD ANGLE PROJECTION		
ANGULAR DEGREES	DO NOT SCALE DRAWING		

Amphenol Canada Corp.			
www.amphenolcanada.com			
MUSB-R SERIES RUGGED USB MINI-B RECEPTACLE, RIGHT ANGLE PCB TAIL, FLANGE, THREAD & COVER OPTIONS, RoHS COMPLIANT			
DWG. NO.	P-MUSB-R-B151-XX		REV B
CODE ID NO. 03554	DWG SIZE: X	SCALE: 3:1	SHEET 1 OF 3

REVISIONS			
REV	DESCRIPTION, ECN, EAR NO.	DATE	APP'D
A	PROPOSAL DRAWING (EAR 14162)	SEP9/14	K.L.
B	UPDATED PCB LAYOUT (EAR 14162)	JUL8/15	K.L.



RECOMMENDED PANEL CUTOUT
OUTSIDE VIEW OF PANEL



RECOMMENDED PCB LAYOUT
COMPONENT SIDE OF BOARD

LOCATE HOLES
⊕ Ø 0.13 [.005]
POSITION DIMENSIONS
ARE BASIC



FRONT FLANGE POSITION SHOWN

**AMPHENOL CANADA PART NUMBERS: MUSBR-B151-3X
MUSBR-B151-MX**

UNLESS SPECIFIED OTHERWISE	DRAWN	B.COPPING	SEP10/14
PRIMARY UNITS MILLIMETERS	CHECKED	K.LAMBIE	SEP10/14
SECONDARY INCHES	M.E. APP'D		
REFERENCE IN PARENTHESES	Q.A. APP'D		
GENERAL TOLERANCES	DWG APPR.		
1 DECIMAL PLACE	ENG. REL. NO.	EAR 14162	
2 DECIMAL PLACES ±0.15	REF.		
3 DECIMAL PLACES	THIRD ANGLE PROJECTION		
ANGULAR DEGREES	DO NOT SCALE DRAWING		

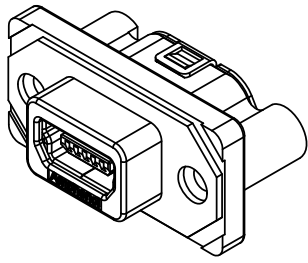
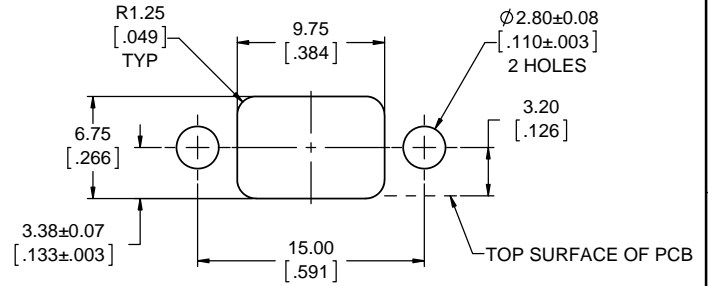
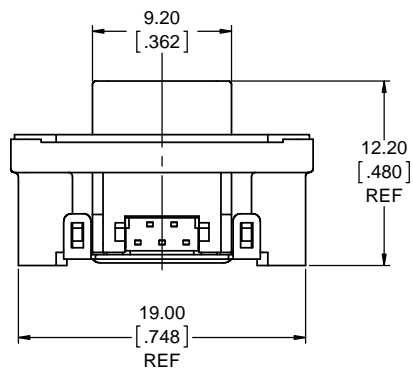
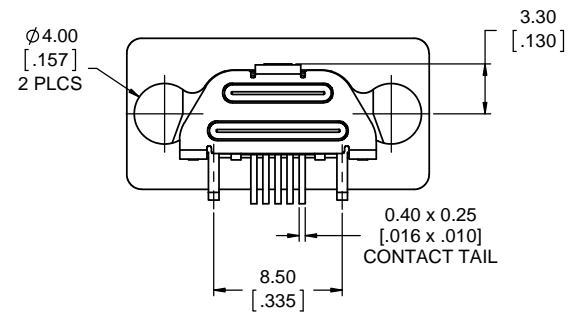
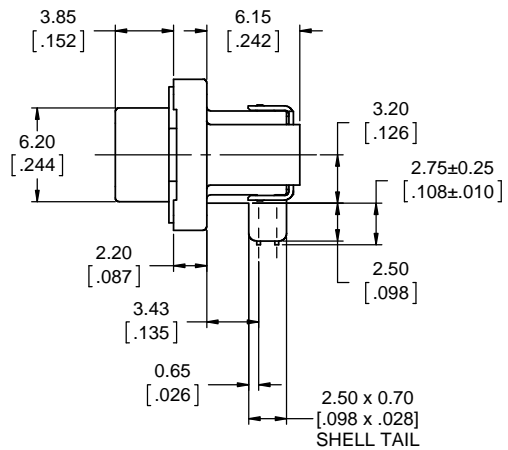
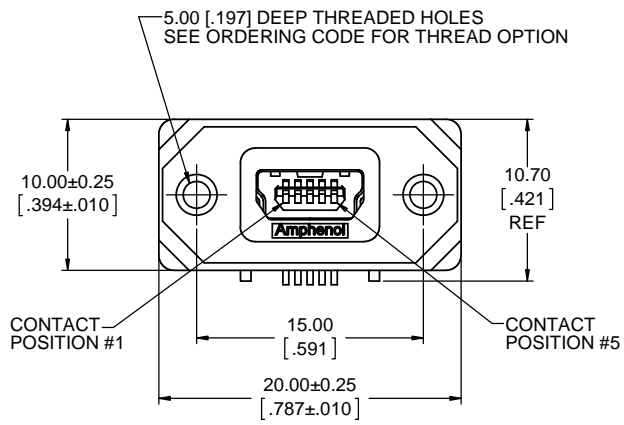
Amphenol Canada Corp.
www.amphenolcanada.com

MUSBR SERIES RUGGED USB MINI-B RECEPTACLE, RIGHT ANGLE PCB TAIL, FLANGE, THREAD & COVER OPTIONS, RoHS COMPLIANT

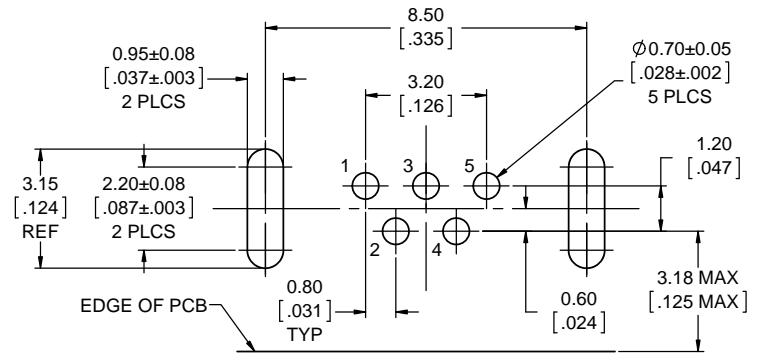
DWG. NO. **P-MUSBR-B151-XX** REV **B**

CODE ID NO. 03554 DWG SIZE: X SCALE: 4:1 SHEET 2 OF 3

REVISIONS			
REV	DESCRIPTION, ECN, EAR NO.	DATE	APP'D
A	PROPOSAL DRAWING (EAR 14162)	SEP9/14	K.L.
B	UPDATED PCB LAYOUT (EAR 14162)	JUL8/15	K.L.



**RECOMMENDED PANEL CUTOUT
OUTSIDE VIEW OF PANEL**



**RECOMMENDED PCB LAYOUT
COMPONENT SIDE OF BOARD**

LOCATE HOLES
 $\varnothing \pm 0.13 [0.005]$
 POSITION DIMENSIONS
 ARE BASIC



REAR FLANGE POSITION SHOWN
**AMPHENOL CANADA PART NUMBERS: MUSBR-B151-5X
 MUSBR-B151-XX**

UNLESS SPECIFIED OTHERWISE	DRAWN	B.COPPING	SEP09/14
PRIMARY UNITS MILLIMETERS	CHECKED	K.LAMBIE	SEP09/14
SECONDARY INCHES	M.E. APP'D		
REFERENCE IN PARENTHESES	Q.A. APP'D		
GENERAL TOLERANCES	DWG APPR.		
1 DECIMAL PLACE	ENG. REL. NO.	EAR 14162	
2 DECIMAL PLACES ±0.15	REF.		
3 DECIMAL PLACES	THIRD ANGLE PROJECTION		
ANGULAR DEGREES	DO NOT SCALE DRAWING		

Amphenol Canada Corp.
 www.amphenolcanada.com
MUSBR SERIES RUGGED USB MINI-B RECEPTACLE, RIGHT ANGLE PCB TAIL, FLANGE, THREAD & COVER OPTIONS, RoHS COMPLIANT

DWG. NO. **P-MUSBR-B151-XX** REV **B**

CODE ID NO. 03554 DWG SIZE: X SCALE: 4:1 SHEET 3 OF 3

Mouser Electronics

Authorized Distributor

Click to View Pricing, Inventory, Delivery & Lifecycle Information:

[Amphenol:](#)

[MUSBR-B151-30](#)