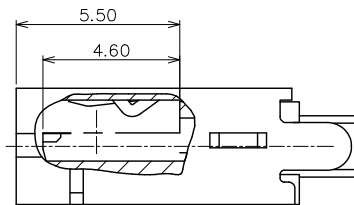
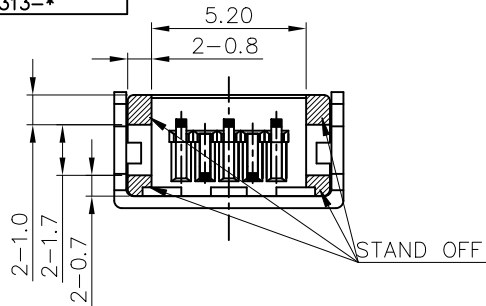


PRODUCT NO.  
10119313-\*



NOTES:

1.MATERIAL:

HOUSING: THERMOPLASTIC, UL 94V-0 RATED. COLOR IN BLACK.  
CONTACT: COPPER ALLOY  
SHELL: COPPER ALLOY.

2.FINISH:

CONTACT:UNDERPLATED 50u"MIN. NICKEL, OVER ALL;  
100u" MIN. PURE MATTE TIN PLATED IN SOLDERING AREA;  
30u" MIN. GOLD PLATING ON CONTACT AREA.  
SHIELD: NICKEL 80u" MIN. PLATED OVER ALL.

3. THE HOUSING WILL WITHSTAND EXPOSURE TO 260 DEGREE C PEAK TEMPERATURE FOR 10 SECONDS IN A IR REFLOW APPLICATION. AND THIS PRODCUT MEETS EUROPEAN UNION DIRECTIVES AND OTHER COUNTRY REGULATIONS AS DESCRIBED IN GS-22-008.

4. PRODUCT SPECIFICATION: GS-12-174; PACKAGING SPECIFICATION: GS-14-873.

5. PRODUCT ORDERING DATA :  
FOR LEAD-FREE

10119313 - X X X X LF

LF: LEAD FREE PLATING

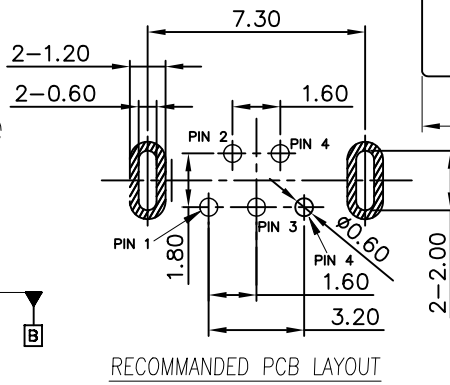
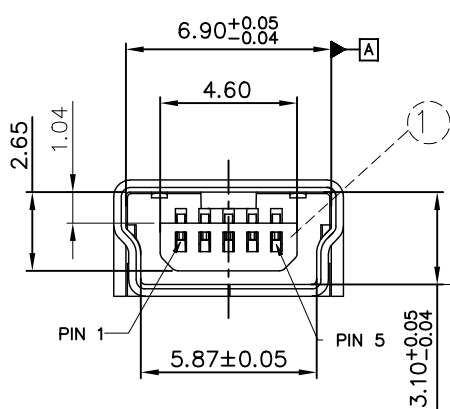
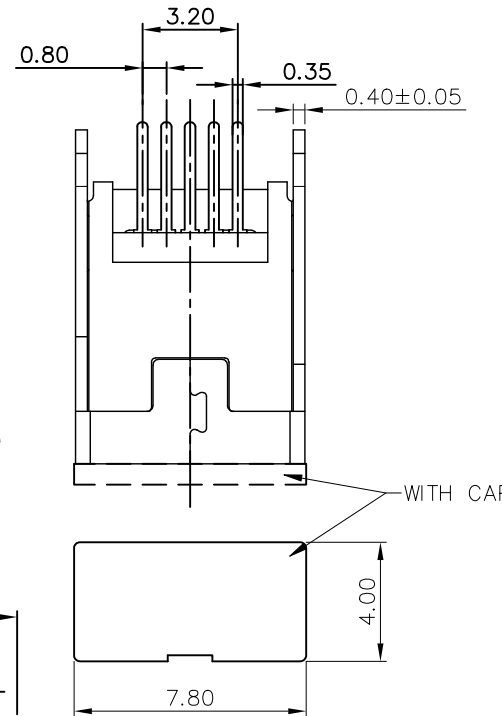
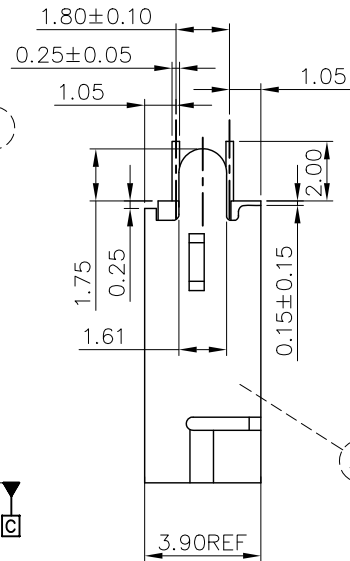
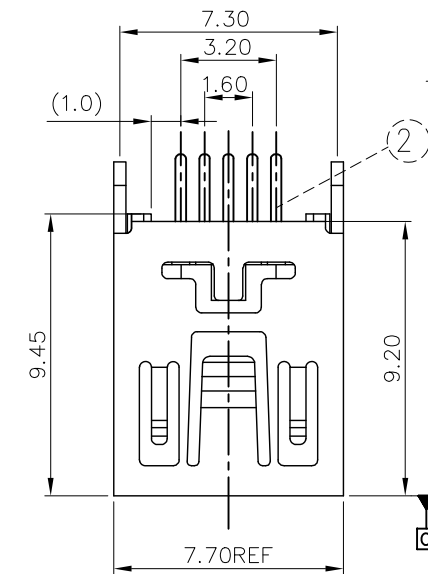
PACKAGING METHOD:  
T: TRAY PACKAGING STYLE.  
R: TAPE AND REEL PACKAGING STYLE.  
C: TAPE AND REEL WITH CAP

SHELL PEG OPTION:  
1 : DIP TYPE, SEE PAGE 1  
2 : SMT TYPE, SEE PAGE 2

HSG MATERIAL:  
0: LCP

PLATING IN CONTACT AREA:  
3 : 30u" MIN. Au .

ITEM	NAMES	QT'Y	MATERIAL	FINISH
3	SHIELD	1	COPPER ALLOY	SEE NOTE 2
2	TERMINAL	5	COPPER ALLOY	SEE NOTE 2
1	HOUSING	1	THERMOPLASTIC	COLOR:BLACK



mat'l. code		surface	tolerance	projection	product family
		ISO 1302	ISO 406	ISO 1101	HPL 577
ltr	ecn no	dr	date	tolerances unless otherwise specified	title
A	-	A.ZH	05/03/12	angles	MINI USB 5PF VERTICAL TYPE
B	ELX-N-16102	J.H	10/21/13.	linear	MINI USB B RECEPTACLE
C	ELX-N-17159	LQ	3/10/14	0°±2'	scale 1:1
D	ELX-N-22660	LQ	12/01/15	dr Laurence.Zang	2018/08/02
E	-	LZ	08/02/18	eng Laurence.Zang	2018/08/02
				chr LQ Lei	2018/08/02
				appd Tim Yao	2018/08/02

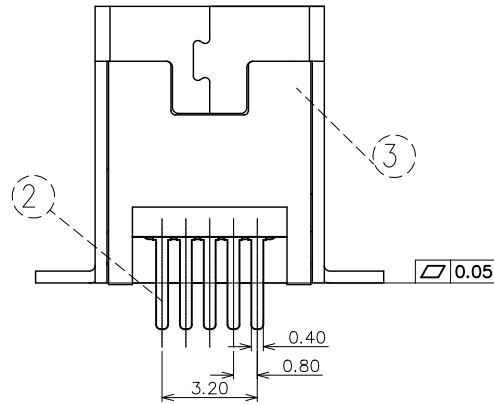
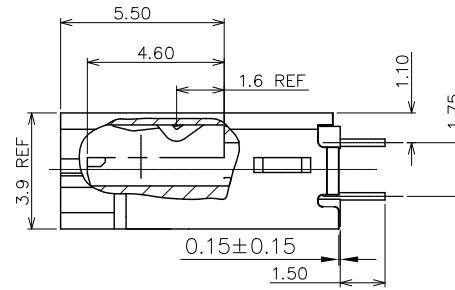
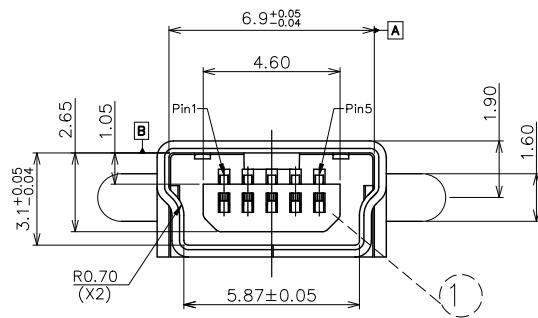
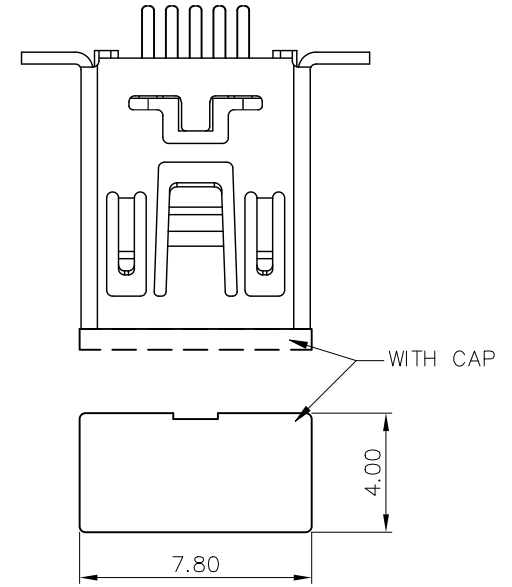
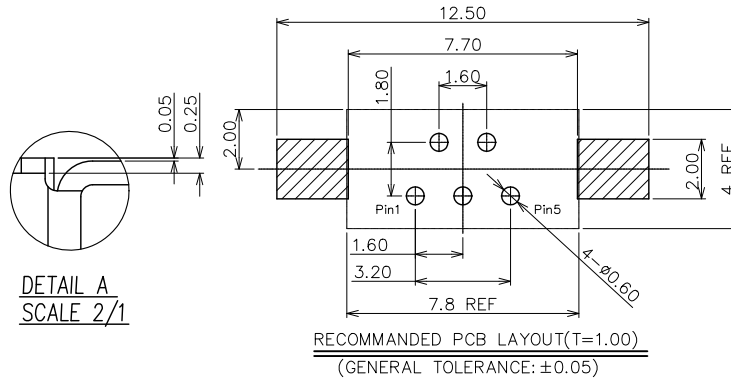
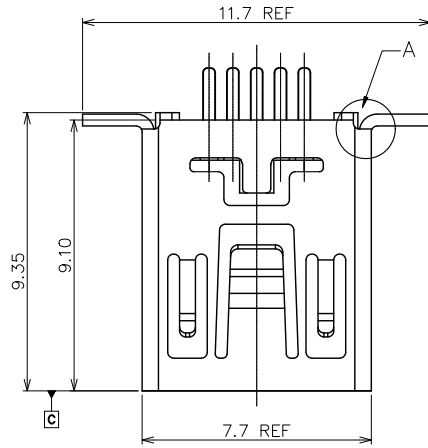


sheet	revision	D																		
index	sheet	All																		

Amphenol FCI

© 2016 AFCI

PRODUCT NO.  
10119313-\*



PLEASE SEE PAGE ONE FOR THE NOTES

mat'l. code		surface	tolerance	projection	product family
		ISO 1302 ✓	ISO 406 ISO 1101		HPL 511
ltr	ecn no	dr	date	tolerances unless otherwise specified	title
E				angles linear	MINI USB 5PF VERTICAL TYPE
				0°±2'	MINI USB B RECEPTACLE
				dr Laurence.Zang 2018/08/02	dwg no sheet 2 of 2 size
				eng Laurence.Zang 2018/08/02	10119313 A3
				chr LQ Lei 2018/08/02	Amphenol FCI
				app Tim Yao 2018/08/02	type Product Customer Drawing
sheet	revision	D			
index	sheet	All			

# Mouser Electronics

Authorized Distributor

Click to View Pricing, Inventory, Delivery & Lifecycle Information:

[FCI / Amphenol:](#)

[10119313-302TLF](#) [10119313-301CLF](#) [10119313-301TLF](#) [10119313-302RLF](#) [10119313-302CLF](#)