

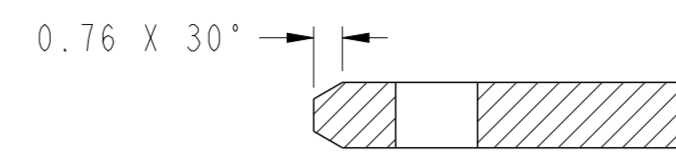
Copyright FCI.  
FCI

spec ref	-	dr	Chris Gieski	2012/10/08	projection	MM	size	A2	scale	4:1	
tolerance std	ISO 406 ISO 1101	eng	Zhao Peter	2013/04/10			ecn no	-	rel level	Released	
TOLERANCES UNLESS OTHERWISE SPECIFIED		chr	-	app							Collins Lu
surface	ISO 1302	linear	0.X	±0.3	FCI		title	STRADDLE MT. 28P-20S		rev A	
		angular	0°	±°	www.fci.com		cat. no.	-			Product - Customer Drw
							HPCE-MULTI-HOST-BOARD THICKNESS	dwg no	10122992		sheet 1 of 4

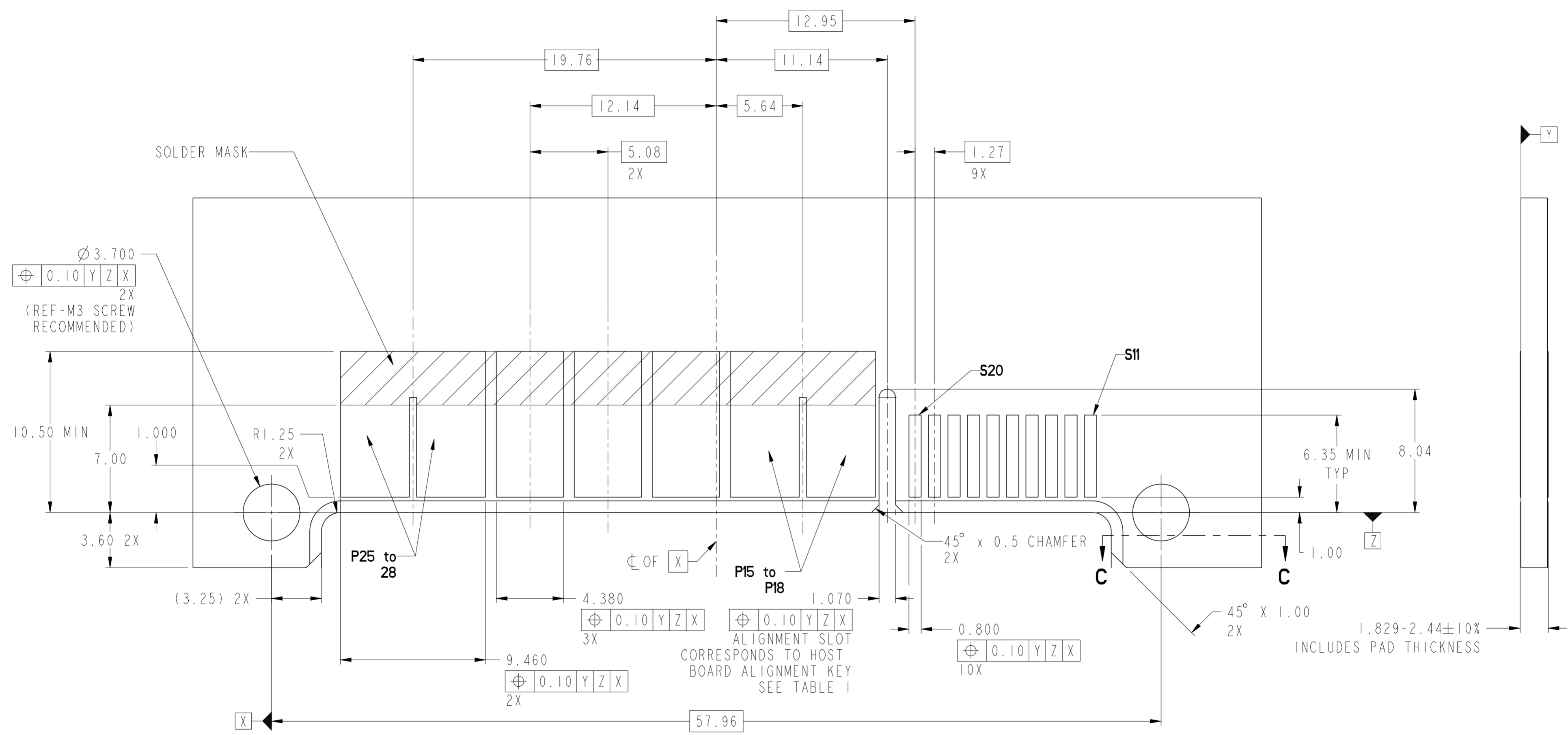
PDS: Rev :A

STATUS:Released

Printed: Apr 11, 2013



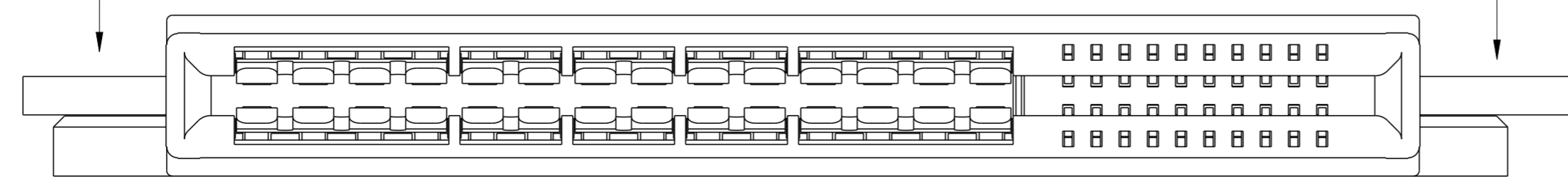
SECTION C-C



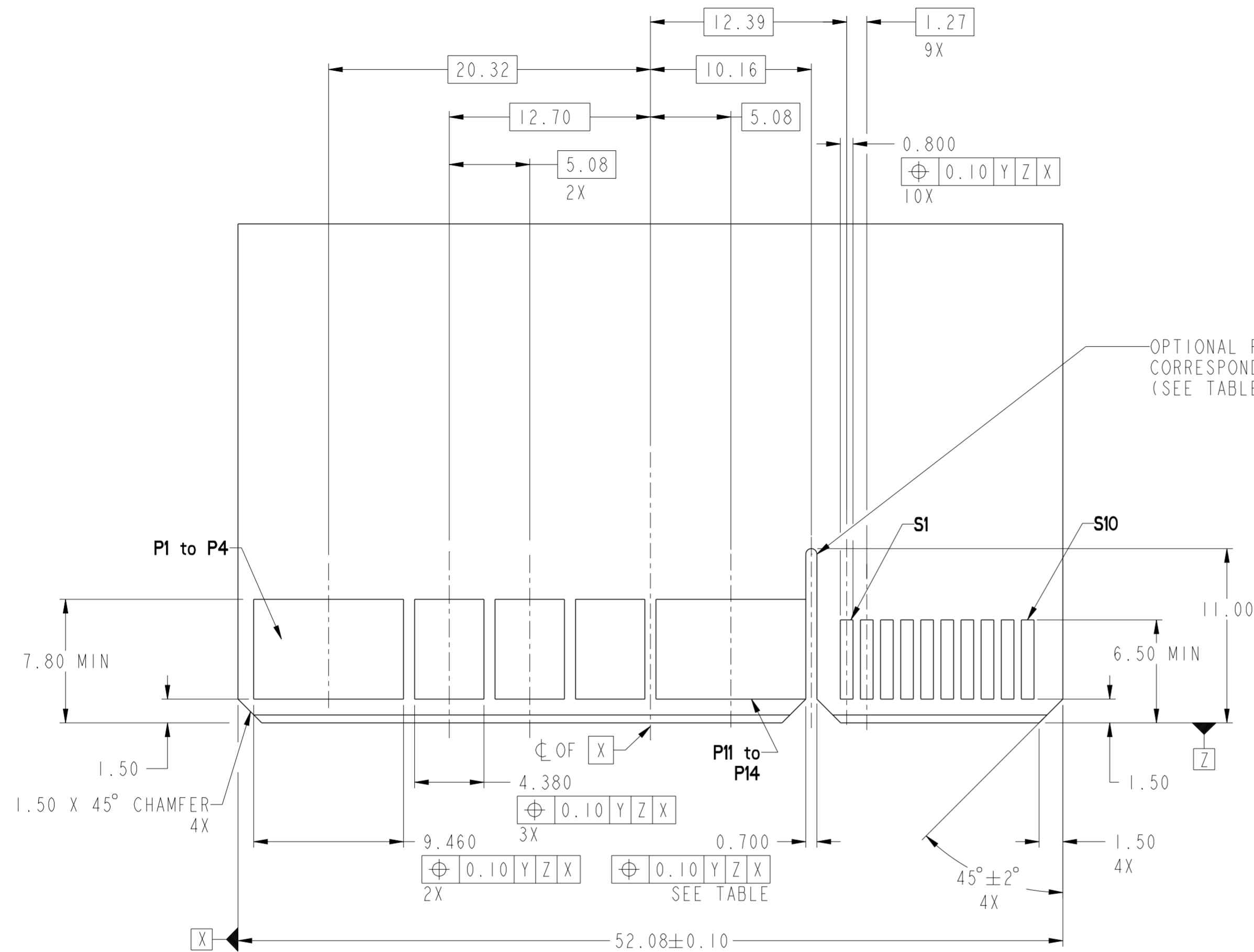
Ø 3.700  
 ⊕ 0.10 Y Z X  
 2X  
 (REF-M3 SCREW  
 RECOMMENDED)

⊕ 0.10 Y Z X  
 3X  
 ALIGNMENT SLOT  
 CORRESPONDS TO HOST  
 BOARD ALIGNMENT KEY  
 SEE TABLE 1

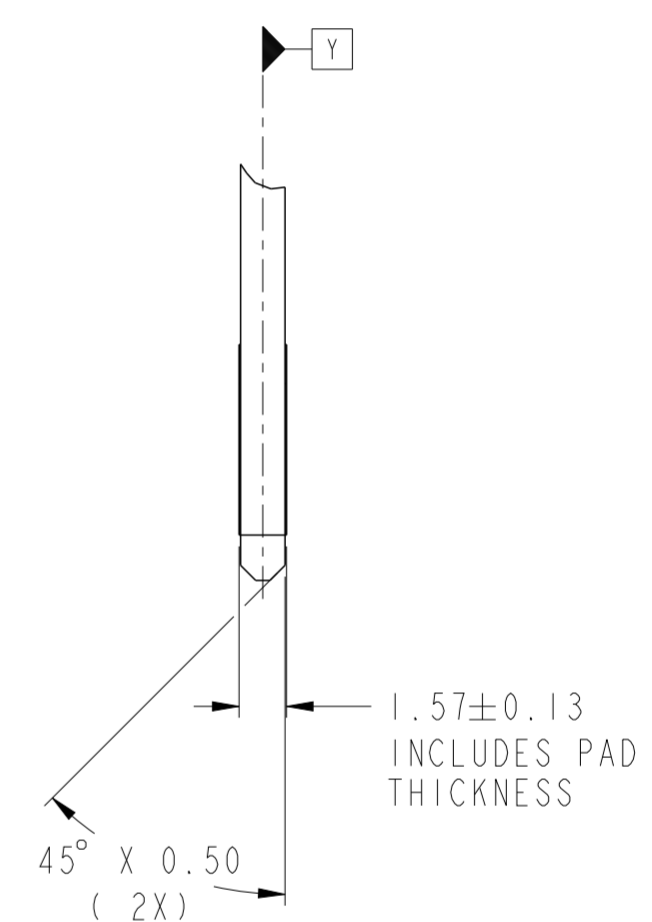
RECOMMENDED HOST BOARD LAYOUT  
 AS VIEWED



dr	Chris Gieski	2012/10/08	projection	MM	size	A2	scale	4:1
eng	Zhao Peter	2013/04/10			ecn no	-	rel level	Released
chr	-	-			product family	CARD EDGE		
appr	Collins Lu	2013/04/10	product family		CARD EDGE	rel level	Released	
		title STRADDLE MT. 28P-20S HPCE-MULTI-HOST-BOARD THICKNESS			dwg no 10122992	rev A		
www.fci.com		cat. no.	-		Product - Customer Drw		sheet 2 of 4	



OPTIONAL POLARIZATION SLOT  
CORRESPONDS TO ORIENTATION KEY OPTION  
(SEE TABLE 1)

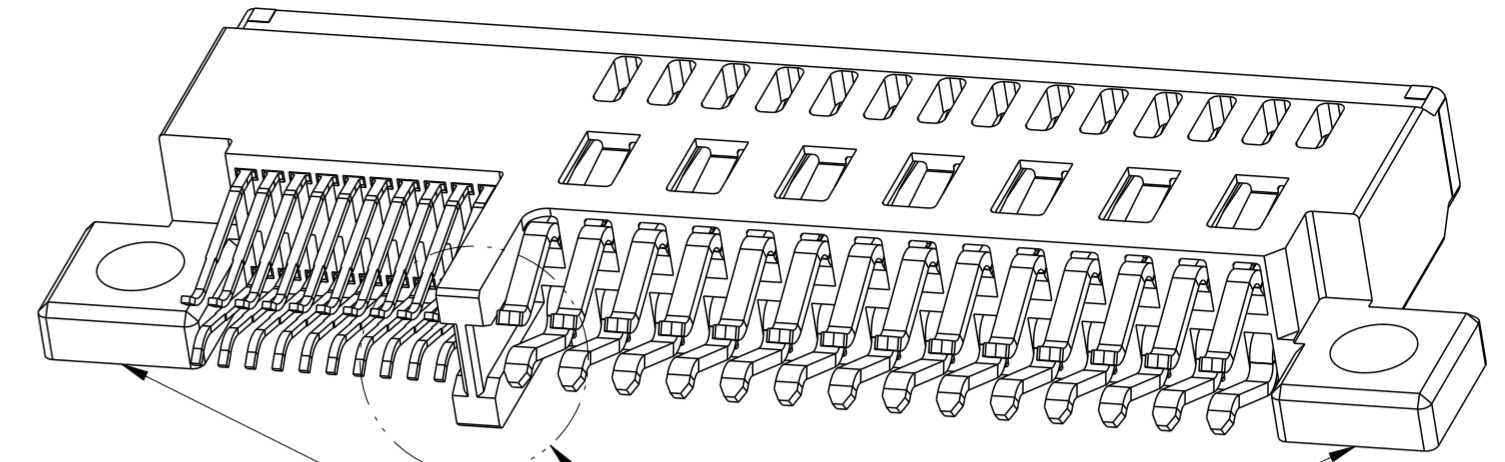


### RECOMMENDED MATING BOARD FOOTPRINT

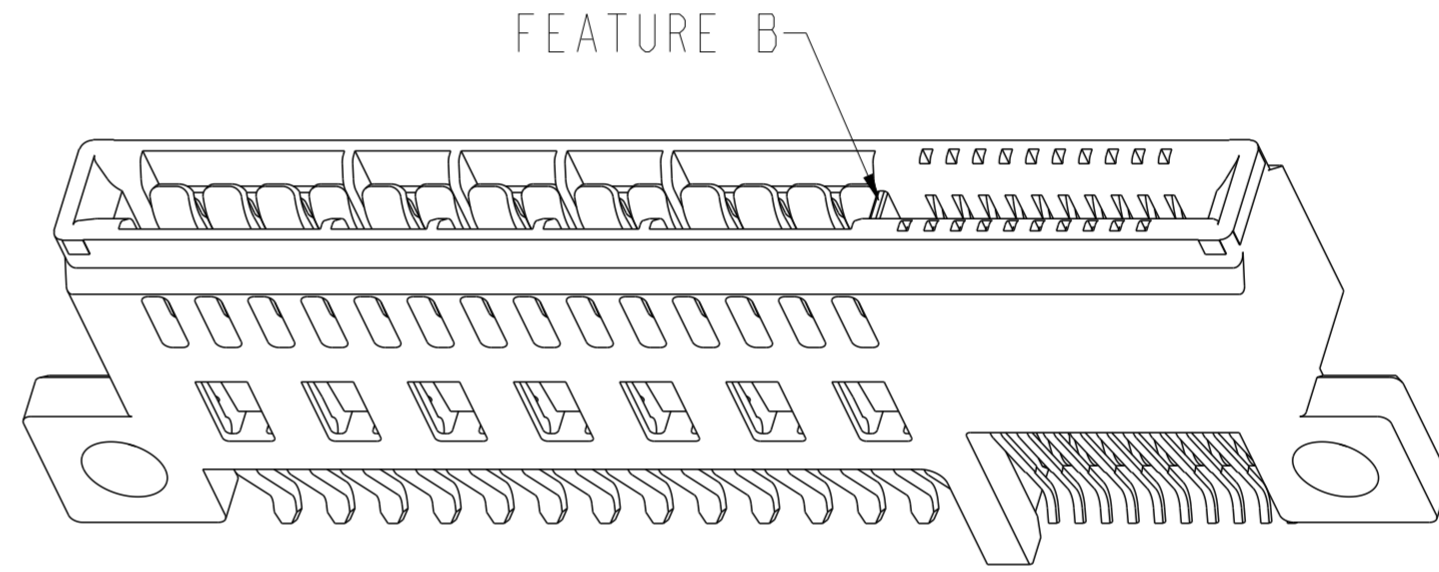
dr	Chris Gieski	2012/10/08	projection	MM	size	A2	scale	4:1
eng	Zhao Peter	2013/04/10			ecn no.	-	rel level	
chr	-	-			Product family	CARD EDGE	Released	
appr	Collins Lu	2013/04/10			title	STRADDLE MT. 28P-20S		rev
					HPCE-MULTI-HOST-BOARD THICKNESS	dwg no.	10122992	A
www.fci.com			cat. no.	-	Product - Customer Drw		sheet 3 of 4	

TABLE 1

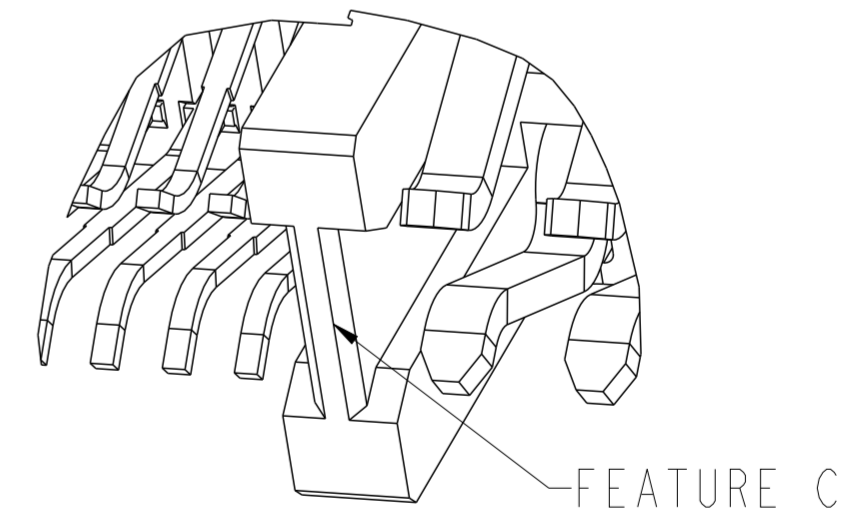
PART NUMBER	HOST BOARD Thickness	FEATURE C HOST BOARD ALIGNMENT KEY (SEE NOTE 8)	FEATURE A MOUNTING EARS	FEATURE B FRONT POLARIZATION KEY	MOUNTING EARS Height (mm)
10122992-001LF	0.072" (1.83 mm) ±10%	YES	YES	NO	2.710
10122992-002LF			YES	YES	
10122992-003LF			NO	NO	
10122992-004LF			NO	YES	
10122992-005LF		NO	YES	NO	
10122992-006LF			YES	YES	
10122992-007LF			NO	NO	
10122992-008LF			NO	YES	
10122992-009LF	0.082" (2.08 mm) ±10%	YES	YES	NO	2.584
10122992-010LF			YES	YES	
10122992-011LF			NO	NO	
10122992-012LF			NO	YES	
10122992-013LF		NO	YES	NO	
10122992-014LF			YES	YES	
10122992-015LF			NO	NO	
10122992-016LF			NO	YES	
10122992-017LF	0.096" (2.44 mm) ±10%	YES	YES	NO	2.406
10122992-018LF			YES	YES	
10122992-019LF			NO	NO	
10122992-020LF			NO	YES	
10122992-021LF		NO	YES	NO	
10122992-022LF			YES	YES	
10122992-023LF			NO	NO	
10122992-024LF			NO	YES	



FEATURE A



FEATURE B



FEATURE C

DETAIL D  
SCALE 8:1

NOTES:

- CONNECTOR MATERIALS:  
 HOUSING: HIGH TEMPERATURE THERMAL PLASTIC, BLACK  
 UL 94V-0 COMPLIANT  
 CONTACTS: HIGH PERFORMANCE COPPER ALLOY.
- CONTACT FINISH REF. GS-12-604 SECTION 5.2.
- PRODUCT SPECIFICATION: GS-12-604.
- APPLICATION SPECIFICATION: GS-20-128.
- PRODUCT MARKING (FCI - PART NUMBER & DATE CODE) ON HOUSING IN AREA SHOWN.
- PACKAGING MEETS FCI SPECIFICATION GS-14-937.
- HOUSING COMPONENT WILL WITHSTAND EXPOSURE TO 260°C PEAK TEMPERATURE FOR 60 SECONDS IN A CONVECTION, INFRA-RED, OR VAPOR PHASE REFLOW OVEN.
- HOST BOARD ALIGNMENT KEY IS RECOMMENDED TO ENSURE PROPER ALIGNMENT OF SOLDER TAILS WITH HOST BOARD PADS.

dr	Chris Gieski	2012/10/08	projection	MM	size	A2	scale	4:1
eng	Zhao Peter	2013/04/10			ecn no	-	rel level	Released
chr	-	-			product family	CARD EDGE		
appr	Collins Lu	2013/04/10	www.fci.com		cat. no.	-	Product - Customer Drw	sheet 4 of 4
			title STRADDLE MT. 28P-20S HPCE-MULTI-HOST-BOARD THICKNESS		dwg no 10122992	rev A		

# Mouser Electronics

Authorized Distributor

Click to View Pricing, Inventory, Delivery & Lifecycle Information:

[FCI / Amphenol:](#)

[10122992-017LF](#) [10122992-001LF](#) [10122992-009LF](#) [10122992-018LF](#) [10122992-002LF](#) [10122992-005LF](#)  
[10122992-011LF](#)