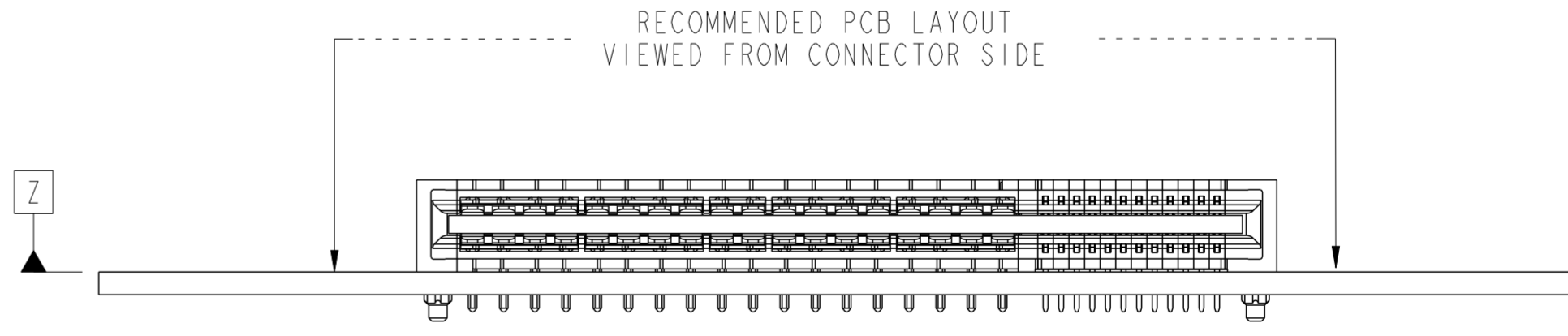
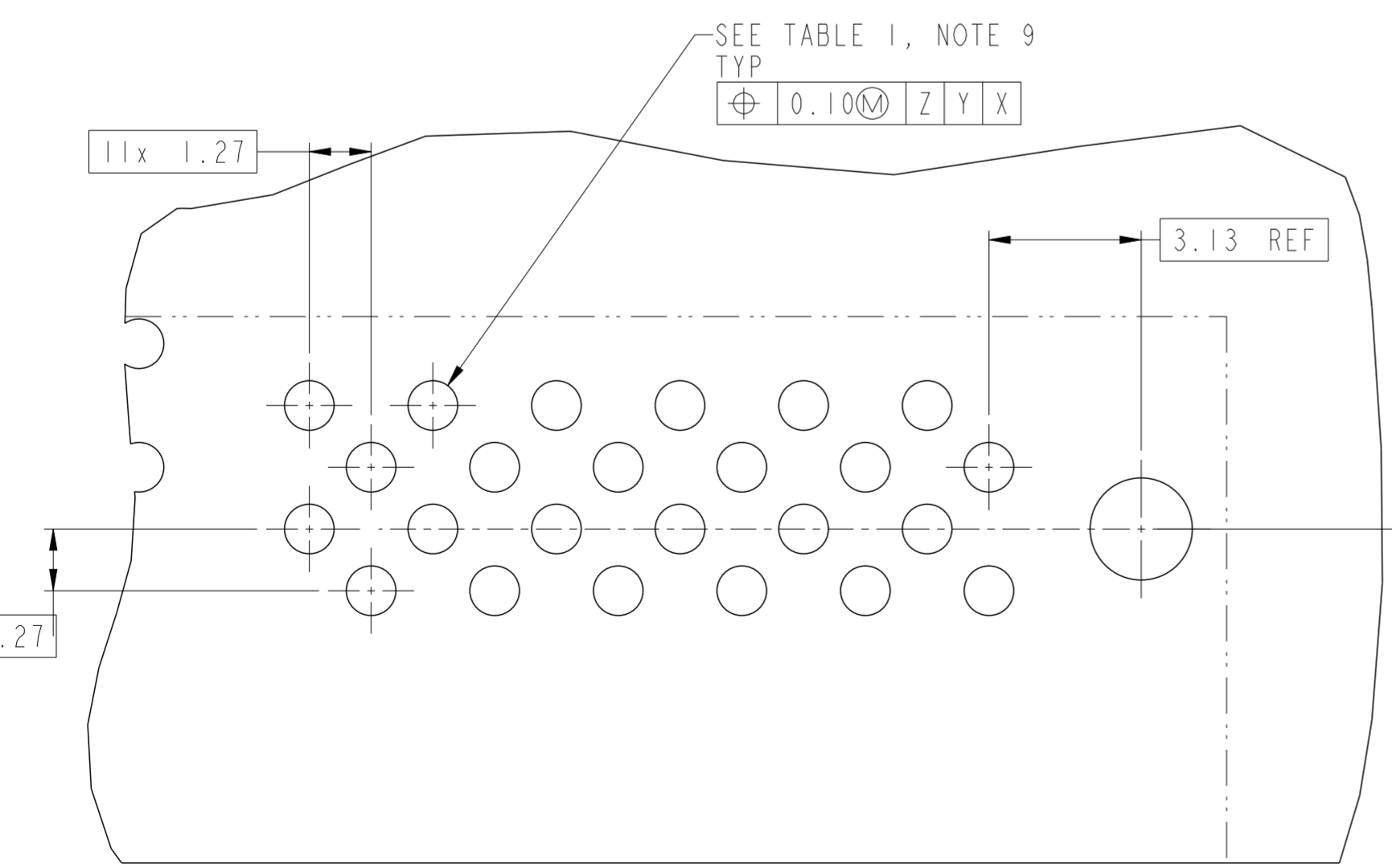
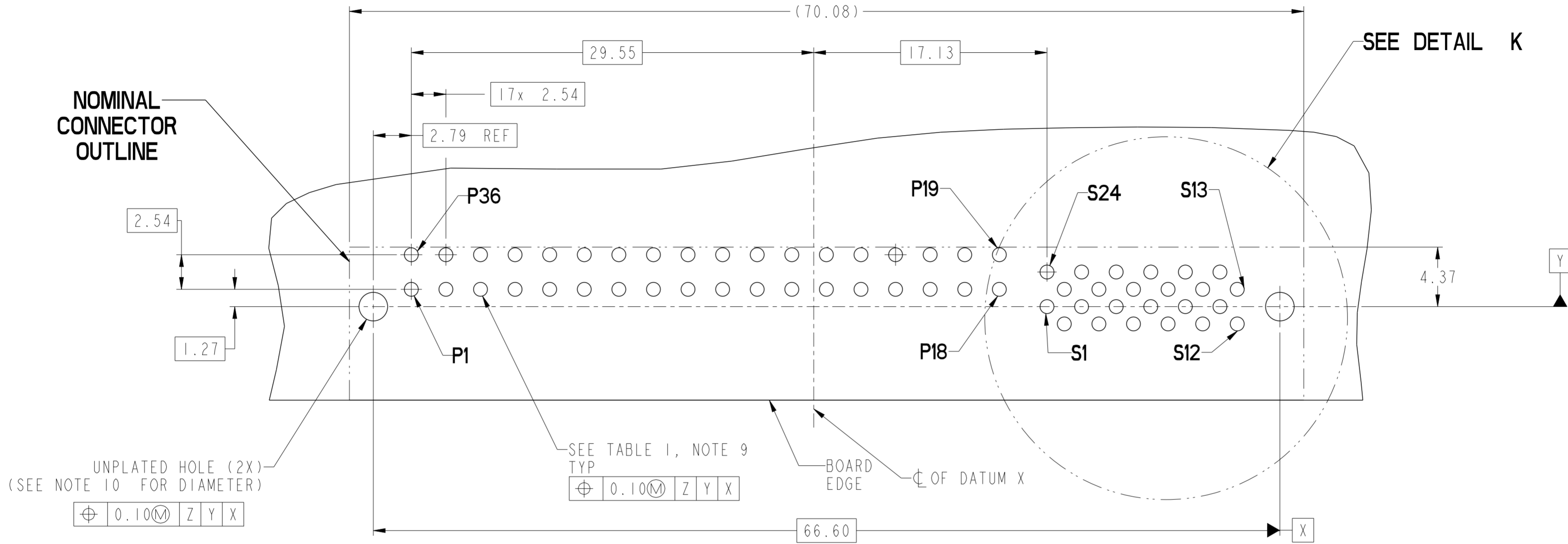


SECTION A-A

SECTION B-B

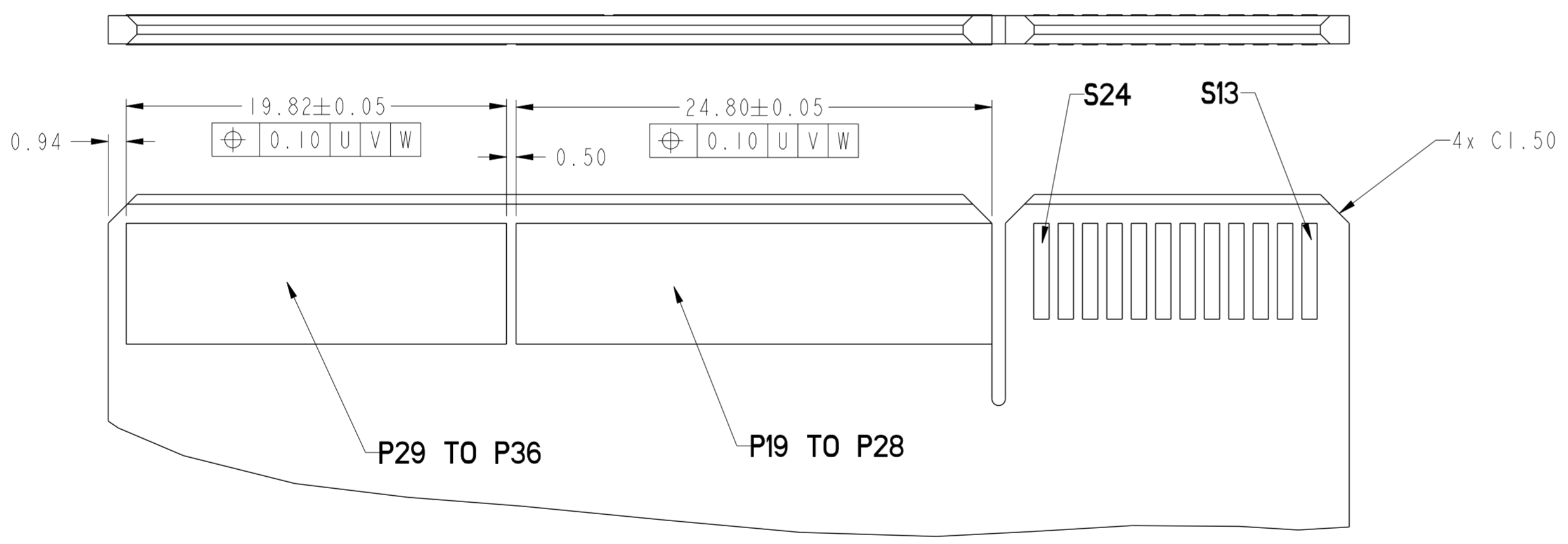
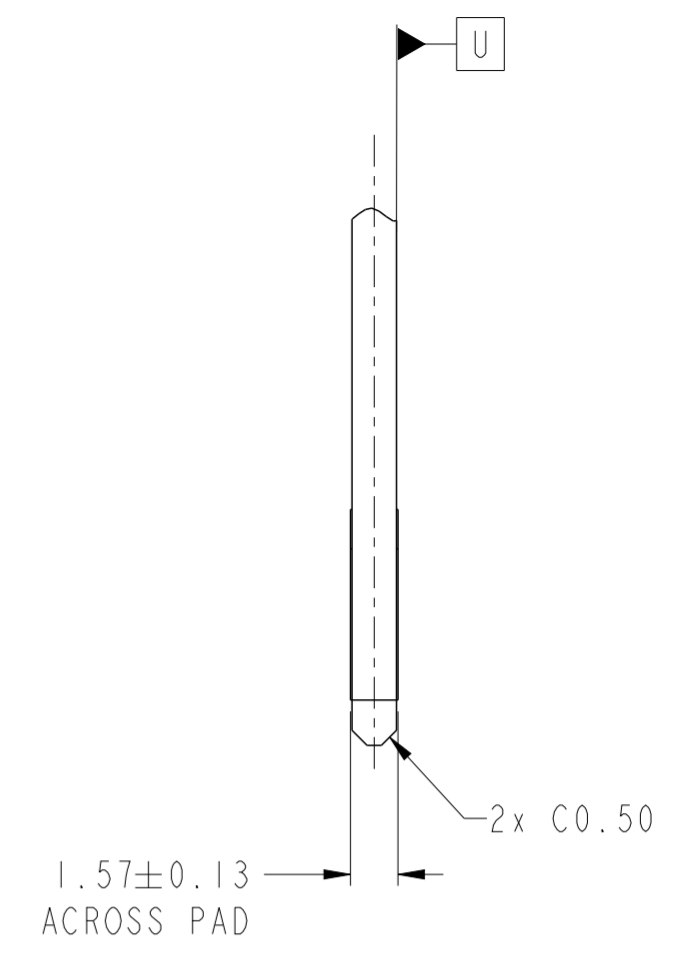
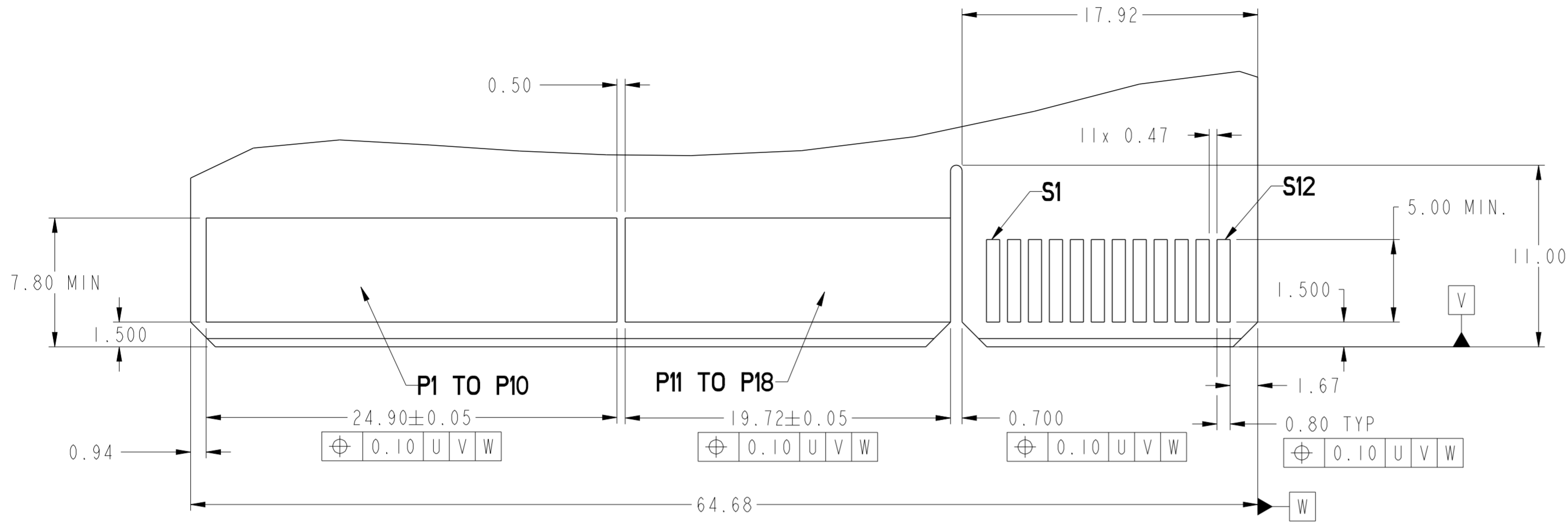
spec ref	-	dr	Jackie Huang	2014/05/19	projection	MM	size	A2	scale	4:1	
tolerance std	ASME Y14.5	eng	Jackie Huang	2015/02/05			ecn no	ELX-DG-19719-1			
TOLERANCES UNLESS OTHERWISE SPECIFIED		chr	-	appr			Pei-Ming Zheng	2015/02/05	product family	HPCE	rel level
surface	linear			title	R/A RECT (36P-24S)			dwg no	10130248		
ASME Y14.5	angular	0°	±2°	www.fci.com	cat. no.	-	Product - Customer	Drw	sheet 1 of 4	rev	B

CONTACT TYPE	TOP LAYER DESCRIPTION	TABLE 1 (HPCE / SOLDER TAILS) PLATED THROUGH-HOLE REQUIREMENTS				
		DRILLED HOLE DIAMETER	COPPER THICKNESS	TIN-LEAD THICKNESS	TIN THICKNESS	FINISHED HOLE DIAMETER
POWER & SIGNAL	TIN-LEAD	1.10-1.16 (1.15 DRILL)	0.025 - 0.050	0.005 - 0.015	--	0.94 - 1.10
	IMMERSION TIN	1.10-1.16 (1.15 DRILL)	0.025 - 0.050	--	0.9 - 1.5um	0.94 - 1.10
	COPPER (SEE NOTE 8)	1.10-1.16 (1.15 DRILL)	0.025 - 0.050	--	--	0.94 - 1.10



DETAIL K
SCALE 8:1

spec ref	-	dr	Jackie Huang	2014/05/19	projection	MM	size	A2	scale	4:1	
tolerance std	ASME Y14.5	eng	Jackie Huang	2015/02/05			ecn no	ELX-DG-19719-1			
TOLERANCES UNLESS OTHERWISE SPECIFIED		chr	-	appr			Pei-Ming Zheng	2015/02/05	product family	HPCE	rel level
surface	linear	0.X	±0.5		R/A RECT (36P-24S) HIGH POWER CARD EDGE	www.fci.com	cat. no.	-	Product - Customer Drw	sheet 2 of 4	
	0.XX	±0.25	title				10130248		rev	B	
	0.XXX	±0.10	angular				0°	±2°			



**REFERENCE
PANDEMONIUM POWER SUPPLY BOARD**

spec ref	-	dr	Jackie Huang	2014/05/19	projection	MM	size	A2	scale	4:1
tolerance std	ASME Y14.5	eng	Jackie Huang	2015/02/05	chr	-	ecn no	ELX-DG-19719-1	rel level	Released
surface	✓	appr	Pei-Ming Zheng	2015/02/05	product family	HPCE	cat. no.	10130248	rev	B
ASME Y14.5	linear	0.X	±0.5	0.XX	±0.25	0.XXX	±0.10	angular	0°	±2°

PDS: Rev :B

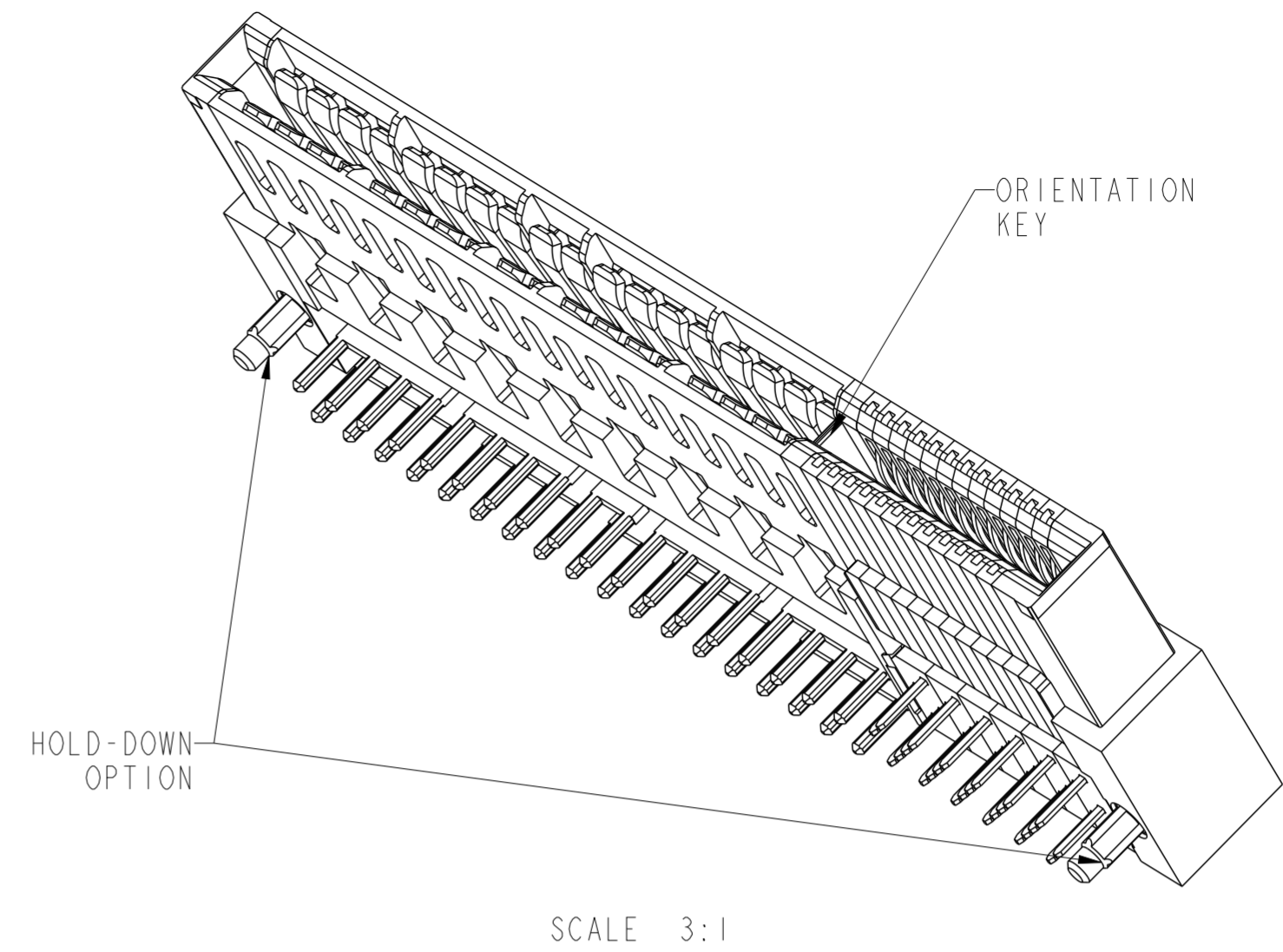
STATUS:Released

Printed: Feb 06, 2015

Copyright FCI.
FCI

HPCE PART NUMBER (TABLE 2)

PART NUMBER	TAIL TYPE	ORIENTATION KEY	HOLD-DOWN OPTION	DIM T TAIL LENGTH ±0.25
10130248-001LF	SOLDER TAIL	YES	YES	2.60
10130248-002LF	SOLDER TAIL	NO	YES	2.60
10130248-003LF	SOLDER TAIL	NO	NO	2.60
10130248-004LF	SOLDER TAIL	YES	NO	2.60
10130248-005LF	SOLDER TAIL	YES	YES	3.25
10130248-006LF	SOLDER TAIL	NO	YES	3.25
10130248-007LF	SOLDER TAIL	NO	NO	3.25
10130248-008LF	SOLDER TAIL	YES	NO	3.25
10130248-009LF [△] _B	SOLDER TAIL	YES	YES	4.05
10130248-010LF [△] _B	SOLDER TAIL	NO	YES	4.05
10130248-011LF [△] _B	SOLDER TAIL	NO	NO	4.05
10130248-012LF [△] _B	SOLDER TAIL	YES	NO	4.05
10130248-013LF [△] _B	SOLDER TAIL	YES	YES	4.85
10130248-014LF [△] _B	SOLDER TAIL	NO	YES	4.85
10130248-015LF [△] _B	SOLDER TAIL	NO	NO	4.85
10130248-016LF [△] _B	SOLDER TAIL	YES	NO	4.85



SCALE 3:1

NOTES:

- CONNECTOR MATERIALS:
 HOUSING: HIGH TEMPERATURE THERMAL PLASTIC, BLACK
 UL 94V-0 COMPLIANT
 CONTACTS: HIGH PERFORMANCE COPPER ALLOY.
- CONTACT FINISH REF. GS-12-604 SECTION 5.2.
- PRODUCT SPECIFICATION: GS-12-604.
- APPLICATION SPECIFICATION: GS-20-128.
- PRODUCT MARKING (FCI - PART NUMBER & DATE CODE) ON HOUSING IN AREA SHOWN.
- PACKAGING MEETS FCI SPECIFICATION GS-14-937.
- HOUSING COMPONENT WILL WITHSTAND EXPOSURE TO 260°C PEAK TEMPERATURE FOR 60 SECONDS IN A CONVECTION, INFRA-RED, OR VAPOR PHASE REFLOW OVEN.
- COPPER PLATING THICKNESS IN CENTER OF VIA-HOLE CAN BE NO MORE THAN 0.003 LESS THAN OTHER AREAS.
- ALL HOLE SIZES ARE FINISHED HOLE SIZES.
- MOUNTING HOLES ARE UNPLATED
 \varnothing 2.10 +/- 0.1 FOR SOLDER TAILS
 \varnothing 2.18 +/- 0.03 FOR LOW PLASTIC PEG INSERTION FORCE
- A [△]_B SYMBOL WILL BE NEXT TO ANY DIMENSION, VIEW OR NOTE WHICH HAS BEEN MODIFIED WITH THE CURRENT DRAWING VERSION.

spec ref	-	dr	Jackie Huang	2014/05/19	projection	MM	size	A2	scale	4:1
tolerance std	ASME Y14.5	eng	Jackie Huang	2015/02/05	chr	-	ecn no	ELX-DG-19719-1	rel level	Released
surface	✓	appr	Pei-Ming Zheng	2015/02/05	product family	HPCE	dwg no	10130248	rev	B
ASME Y14.5	linear	angular	0°	±2°	0.X	±0.5	0.XX	±0.25	0.XXX	±0.10
		www.fci.com		cat. no.		Product - Customer Drw		sheet 4 of 4		

Mouser Electronics

Authorized Distributor

Click to View Pricing, Inventory, Delivery & Lifecycle Information:

[FCI / Amphenol:](#)

[10130248-005LF](#) [10130248-013LF](#) [10130248-014LF](#) [10130248-002LF](#) [10130248-010LF](#) [10130248-006LF](#)