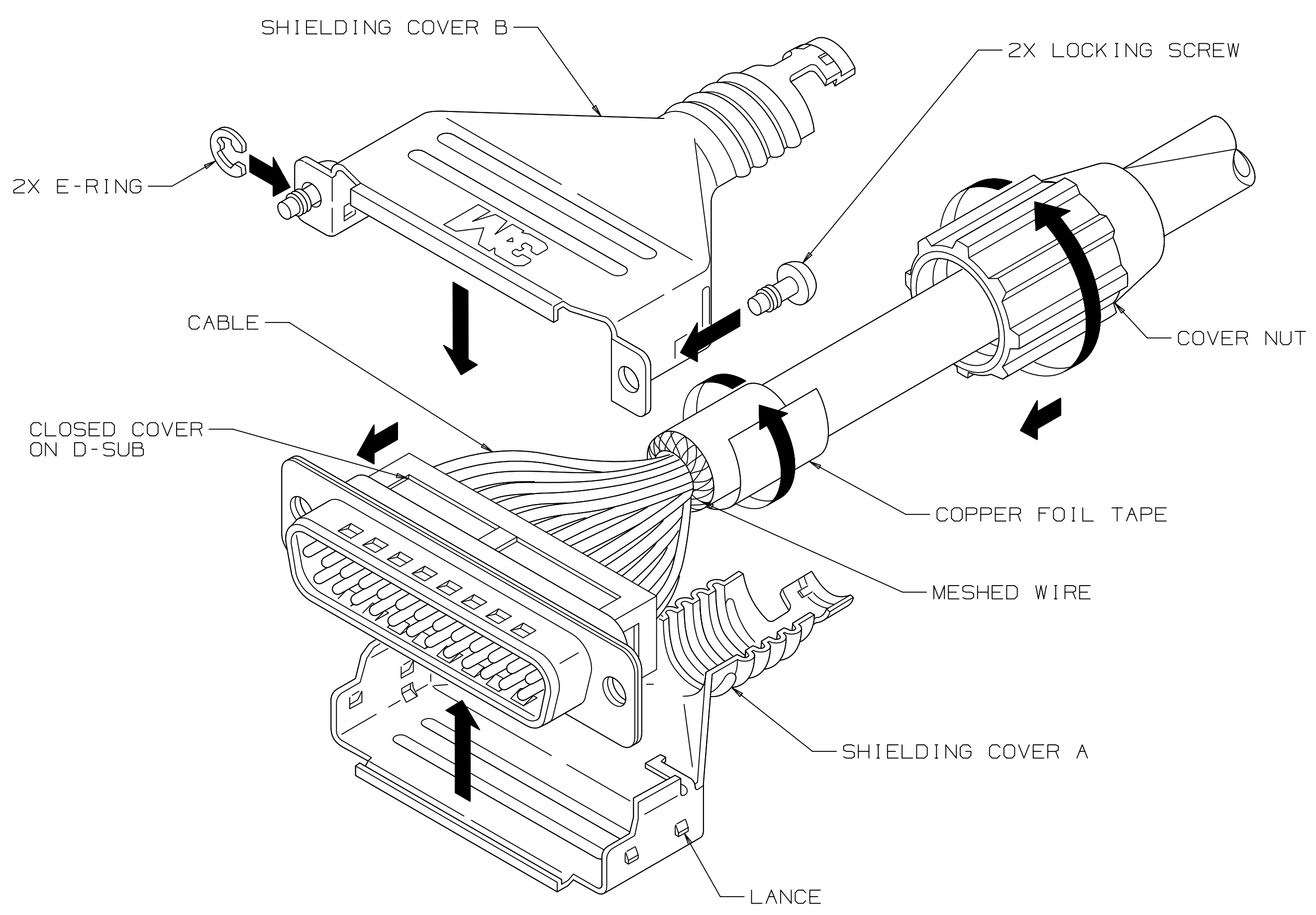


3M™ D SUB EMI JUNCTION SHELL, 3357 SERIES
METAL

- * PROVIDES EMI/ESD PROTECTION SIMILAR TO ALUMINUM DIE CAST.
- * EASY ASSEMBLY REDUCES TIME AND LABOR TO ENSURE LOW APPLIED COST.
- * OPTIONAL THUMB SCREW KIT.
- * PROVIDES OPTION IN GROUNDING FOR DISCRETE WIRE APPLICATIONS.
- * LIGHT WEIGHT, COMPACT DESIGN.

- NOTES
- REGULATORY INFORMATION:
VISIT 3M.com/regs
 - UNLESS OTHERWISE NOTED,
REFERENCES TO INDUSTRY
SPECIFICATIONS ARE INTENDED
TO INDICATE SUBSTANTIAL
COMPLIANCE TO THE MATERIAL
ELEMENTS OF THE SPECIFICATION.
SUCH REFERENCES SHOULD NOT BE
CONSTRUED AS A GUARANTEE OF
COMPLIANCE TO ALL REQUIREMENTS
IN A GIVEN SPECIFICATION.
 - FOR ASSEMBLY INSTRUCTIONS
SEE 78-8136-9670-1.



2 PHYSICAL :

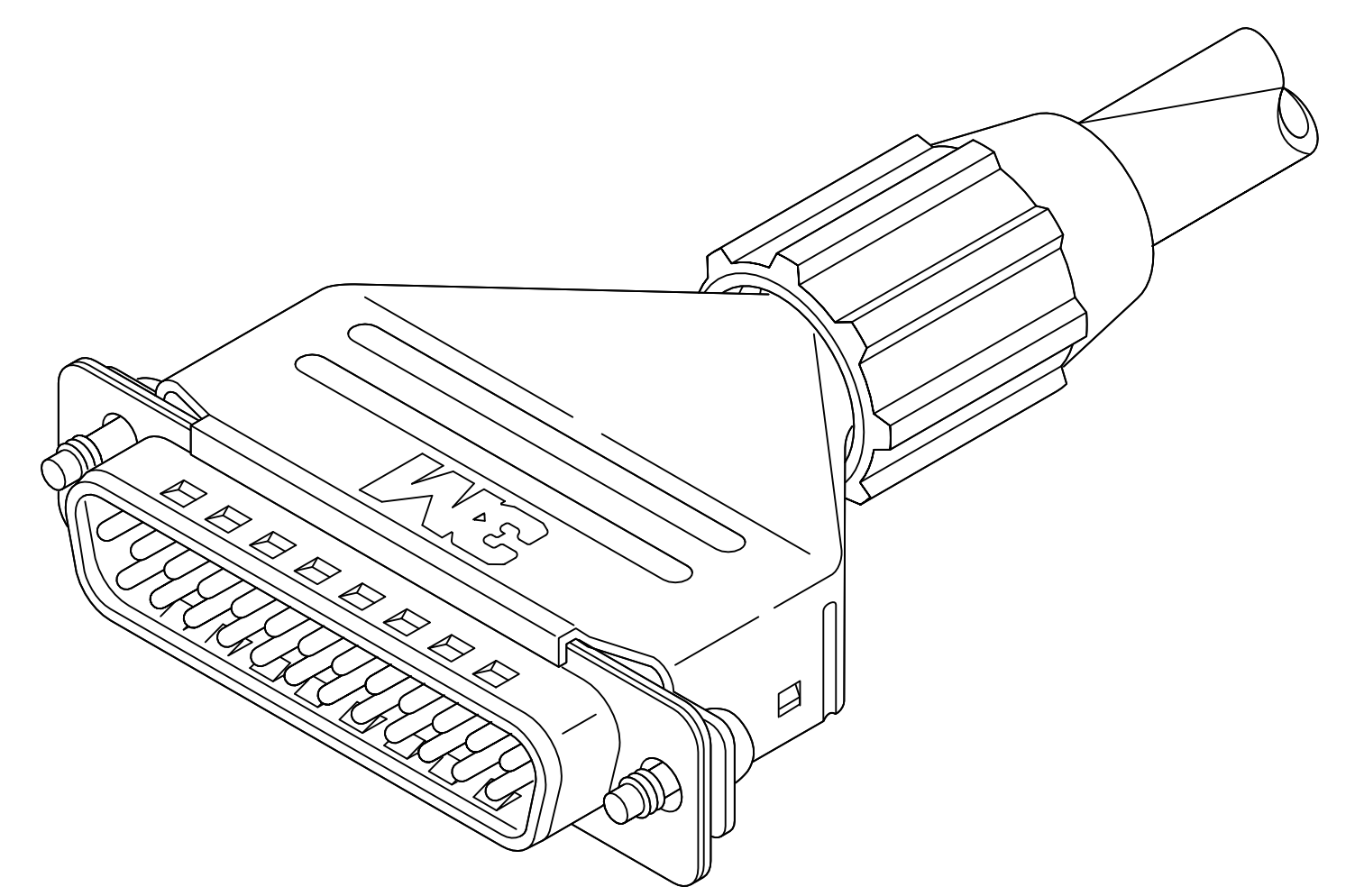
SHELL AND HARDWARE :
 MATERIAL : STEEL
 PLATING : NICKEL
 COVER NUT :
 MATERIAL : UNFILLED THERMOPLASTIC (ABS)
 FLAMMABILITY : UL94V-0
 COLOR : BLACK

ORDERING INFORMATION

JUNCTION SHELL THUMB SCREW KIT: 3341-7
 3357-92XX

CONNECTOR SIZE:
 09 = 9 POSITION
 15 = 15 POSITION
 25 = 25 POSITION
 37 = 37 POSITION

RETAINER KIT: 3808-ER



REFERENCE ASSEMBLY

3M ELECTRONICS MATERIALS SOLUTIONS DIVISION
 INTERCONNECT SOLUTIONS
<http://www.3M.com/interconnect>

3M IS A TRADEMARK OF 3M COMPANY.
 FOR TECHNICAL, SALES OR ORDERING
 INFORMATION CALL 800-225-5373

DIMENSIONS: INCHES [MM]
[MM] IS REF. ONLY

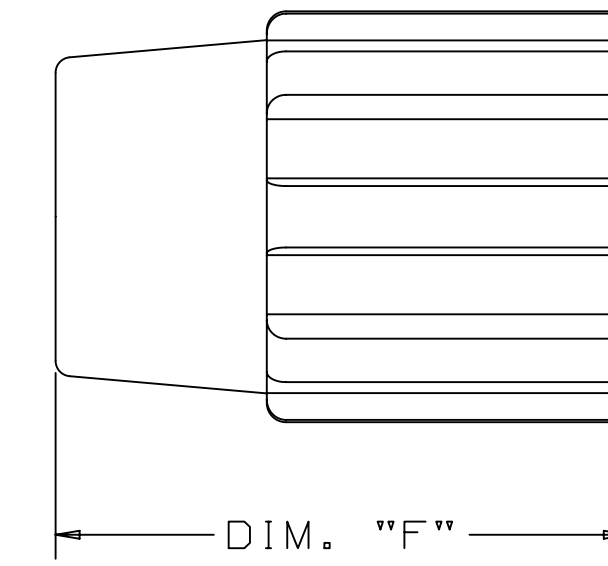
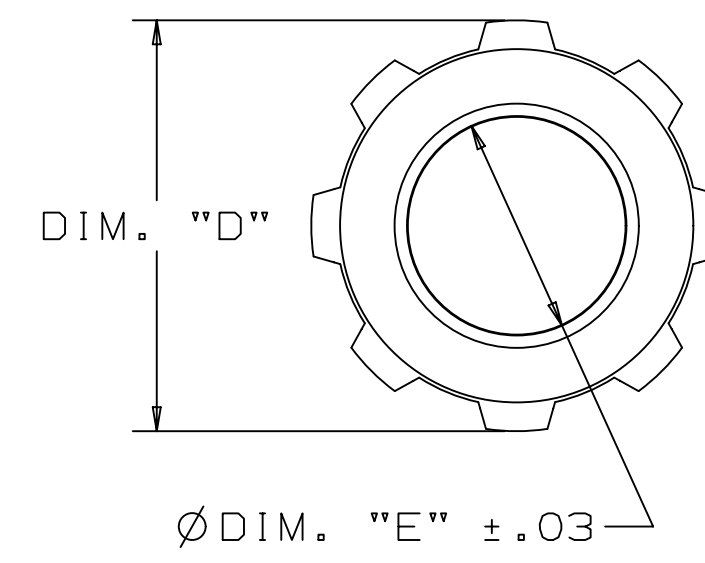
REV	ECO	ISSUE DATE AND DESCRIPTION	DRFT	CHKD
		MAY 14, 2021	JNC	FJR
DRFT	CASTIGLIONE	DATE MAY 14, 2021	MFG	DATE
CHKD		DATE	APPRV	DATE
			F. RODRIGUEZ	MAY 14, 2021

DESIGN REFERENCE	NEXT ASSEMBLY	DIVISION CODE	EMSD
DO NOT SCALE DRAWING	SCALE 3/2	TOLERANCES EXCEPT AS NOTED	
THIRD ANGLE PROJECTION	INTERPRET PER ASME Y14.5 - 2018	INCHES .0 ± .1 .00 ± .01 .000 ± .005 .0000 ± .0005	MILLIMETERS 0 ± .0 ± .00 ± .000 ±
MAX SURFACE ROUGHNESS	ALL SURFACES	MARKED ONLY	ANGLES

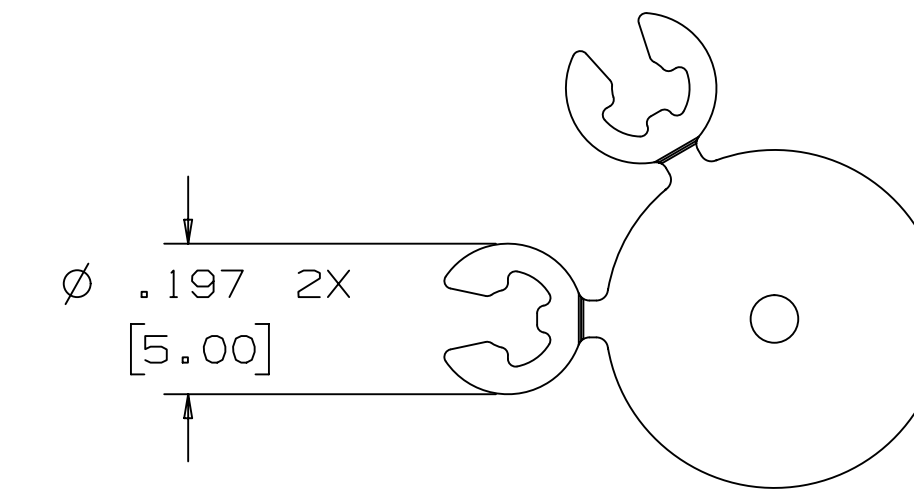
TITLE	D SUB EMI JUNCTION SHELL, 3357, METAL
CAGE NUMBER	D 78-5100-0036-3
MODEL	3357-92XX
REV.	H
DET	1
SHT	1 OF 3

3M™ D SUB EMI JUNCTION SHELL, 3357 SERIES
METAL

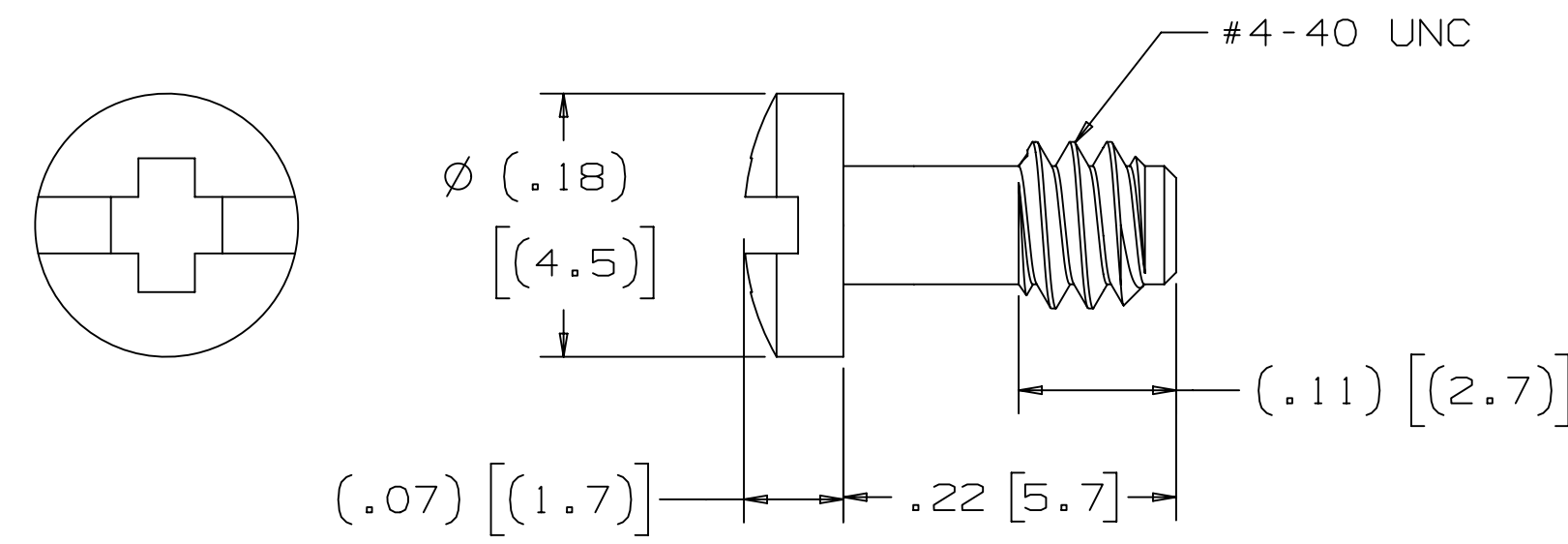
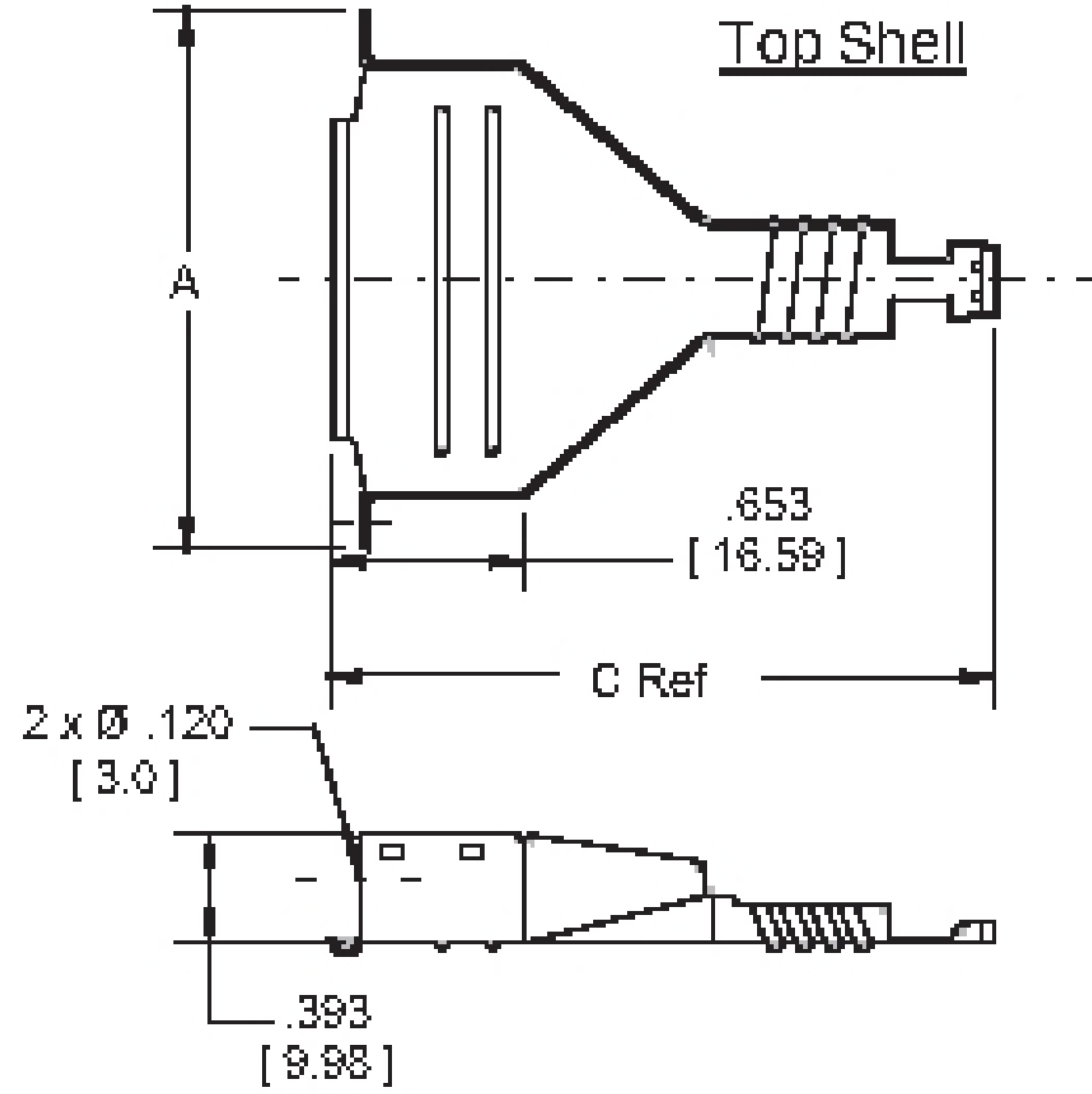
CONNECTOR SIZE	DIM. "A"	DIM. "B"	DIM. "C" REF.	DIM. "D"	DIM. "E"	DIM. "F"	RECOMMENDED CABLE SIZE OD+/- .01
09	1.18 [30.0]	.76 [19.4]	1.65 [41.9]	.54 [13.6]	.29 [7.3]	.75 [18.9]	.28 [7.0]
15	1.50 [38.0]	1.09 [27.6]	1.85 [46.9]	.54 [13.6]	.34 [8.7]	.75 [18.9]	.33 [8.5]
25	2.05 [52.0]	1.63 [41.4]	2.24 [57.0]	.65 [16.4]	.43 [10.8]	.98 [24.9]	.42 [10.6]
37	2.68 [68.0]	2.28 [57.8]	2.78 [70.6]	.74 [18.8]	.48 [12.2]	1.10 [28.0]	.47 [12.0]



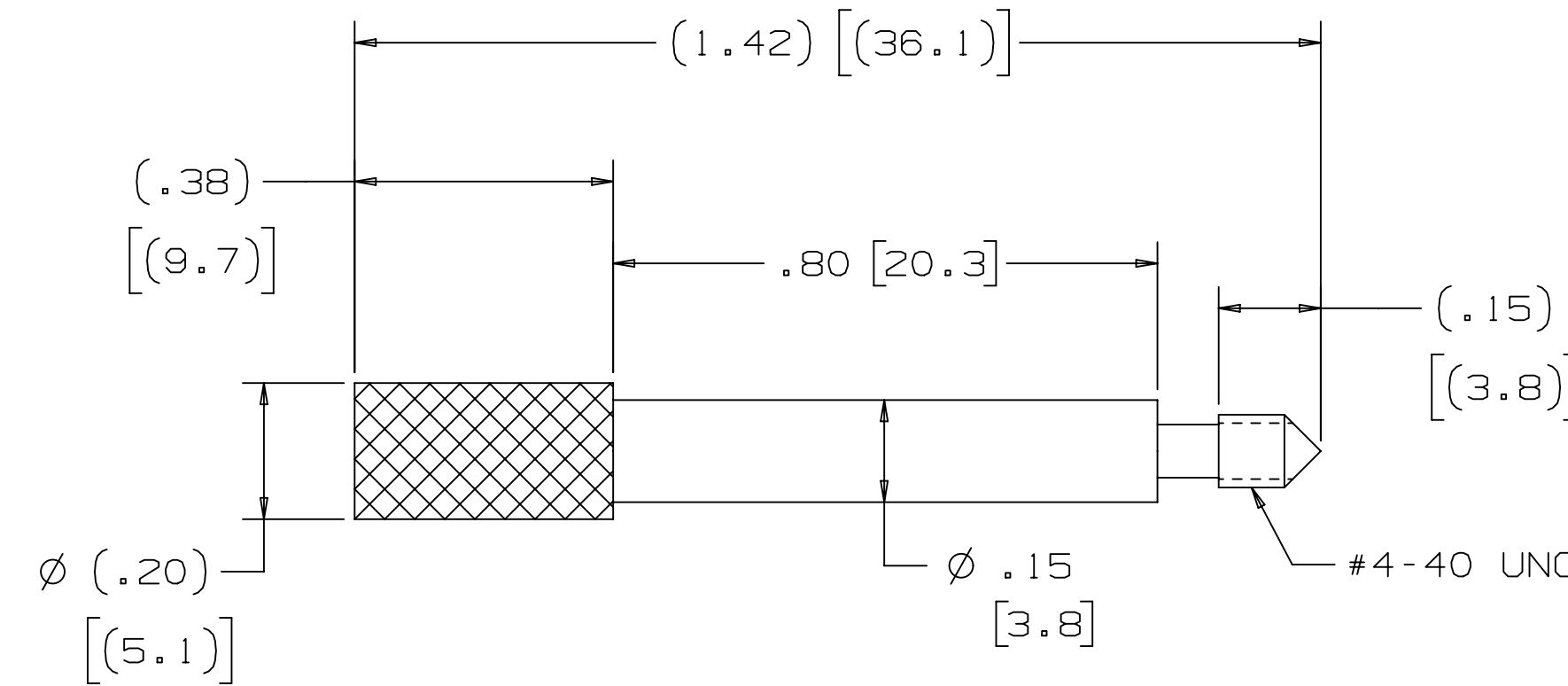
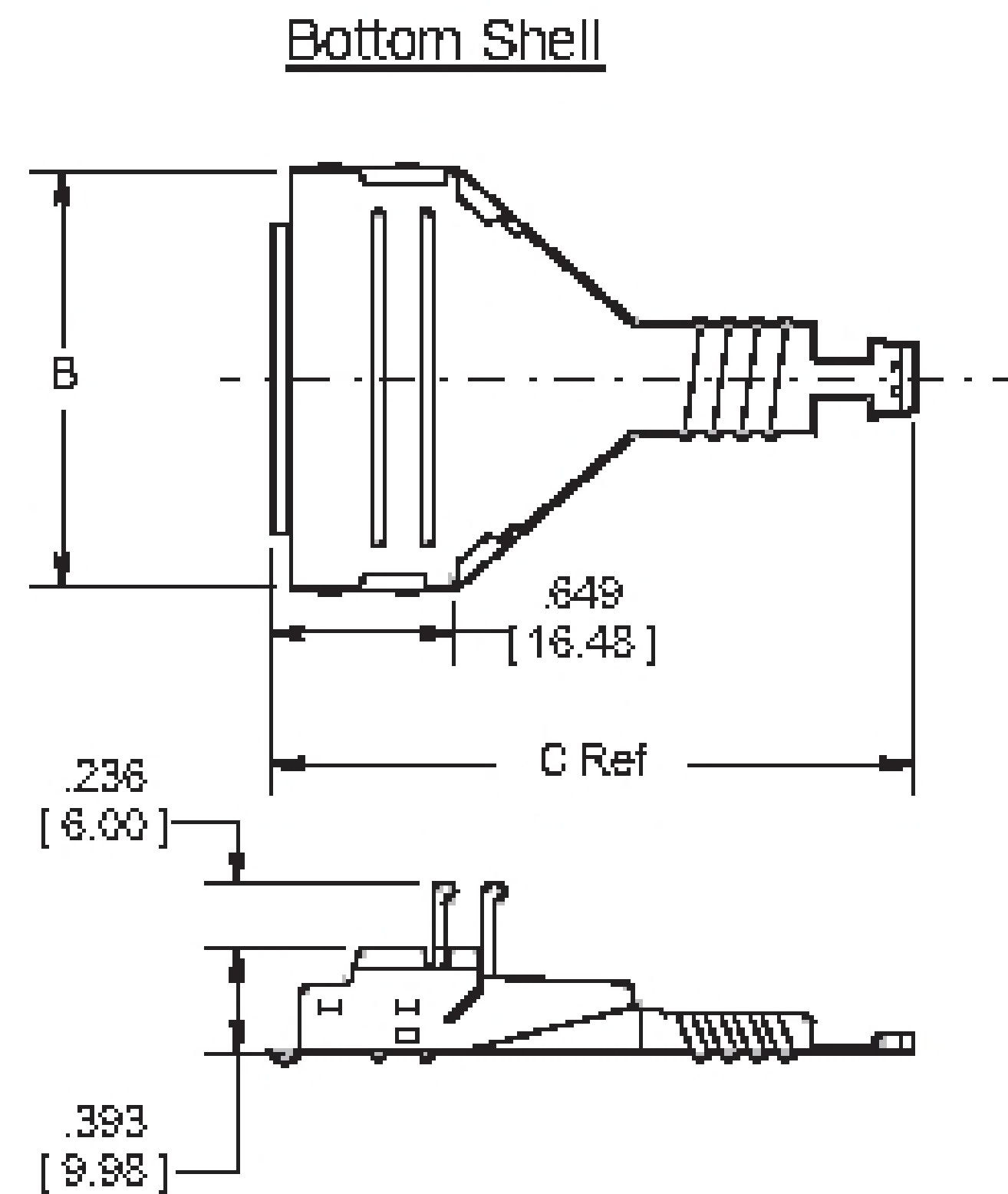
COVER NUT
QTY: 1



RETAINER RINGS
QTY: 2



LOCKING SCREW
QTY: 2



OPTIONAL THUMB SCREW KIT
(ORDER SEPARATELY)
THUMB SCREW QTY: 2
RETAINER RINGS QTY: 2

DESIGN REFERENCE	NEXT ASSEMBLY	REV	ECO	ISSUE DATE AND DESCRIPTION	DRFT	CHKD
				MAY 14, 2021		
DIVISION		DIVISION CODE		EMSD		
DO NOT SCALE DRAWING	SCALE 8/1	TOLERANCES EXCEPT AS NOTED		INCHES .0 ±.1 .00 ±.01 .000 ±.005 .0000 ±.0005 MILLIMETERS 0 ± .0 ± .00 ± .000 ± ANGLES ±		
THIRD ANGLE PROJECTION	INTERPRET PER ASME Y14.5 - 2018	MAX. SURFACE ROUGHNESS		DET. <input type="checkbox"/> MARKED ONLY		
CAGE NUMBER		SIZE	DRAWING NO.	REV.		
D78-5100-0036-3			H	H		
MODEL		3357-92XX		SHT 2 OF 3		

78-5100-0036-3
DRAWING NUMBER

H
REVISION

3M™ D SUB EMI JUNCTION SHELL, 3357 SERIES
METAL

Regulatory: For regulatory information about this product, visit 3M.com/regs or contact your 3M representative.


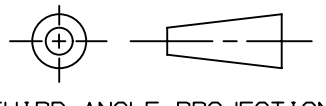
Technical Information: The technical information, recommendations and other statements contained in this document are based upon tests or experience that 3M believes are reliable, but the accuracy or completeness of such information is not guaranteed.

Product Use: Many factors beyond 3M's control and uniquely within user's control can affect the use and performance of a 3M product in a particular application. Given the variety of factors that can affect the use and performance of a 3M product, user is solely responsible for evaluating the 3M product and determining whether it is fit for a particular purpose and suitable for user's method of application.

Warranty, Limited Remedy, and Disclaimer: Unless an additional warranty is specifically stated on the applicable 3M product packaging or product literature, 3M warrants that each 3M product meets the applicable 3M product specification at the time 3M ships the product. 3M MAKES NO OTHER WARRANTIES OR CONDITIONS, EXPRESS OR IMPLIED, INCLUDING, BUT NOT LIMITED TO, ANY IMPLIED WARRANTY OR CONDITION OF MERCHANTABILITY OR FITNESS FOR A PARTICULAR PURPOSE OR ANY IMPLIED WARRANTY OR CONDITION ARISING OUT OF A COURSE OF DEALING, CUSTOM OR USAGE OR TRADE. If the 3M product does not conform to this warranty, then the sole and exclusive remedy is, at 3M's option, replacement of the 3M product or refund of the purchase price.

Limitation of Liability: Except where prohibited by law, 3M will not be liable for any loss or damage arising from the 3M product, whether direct, indirect, special, incidental or consequential, regardless of the legal theory asserted, including warranty, contract, negligence or strict liability.

3M Company
Electronics Materials Solutions Division
13011 McCallen Pass, Bldg. C
Austin, TX 78753-5380
1-800-225-5373
www.3M.com/interconnect

DESIGN REFERENCE		NEXT ASSEMBLY		REV	ECO	ISSUE DATE AND DESCRIPTION		DRFT	CHKD
						MAY 14, 2021		JNC	FJR
DRG CODES		DIVISION CODE		DRFT	DATE	MFG	DATE		
		EMSD		CASTIGLIONE	MAY 14, 2021				
DO NOT SCALE DRAWING		SCALE		TOLERANCES EXCEPT AS NOTED		 3M Center St. Paul, MN 55144 © 3M COPYRIGHT 2021 This document and the information it contains are 3M property and may not be reproduced or further distributed without 3M permission, or used or disclosed other than for 3M authorized purposes. All rights reserved.		TITLE D SUB EMI JUNCTION SHELL, 3357, METAL	
THIRD ANGLE PROJECTION		INCHES		MILLIMETERS		CAGE NUMBER		DRAWING NO.	
		.0 ± .1 .00 ± .01 .000 ± .005 .0000 ± .0005		0 ± .0 ± .00 ± .000 ±		NUMBER D78-5100-0036-3		REV. H	
MAX SURFACE ROUGHNESS		MARKED SURFACES		ANGLES		MODEL		DET	
<input type="checkbox"/> ALL SURFACES <input checked="" type="checkbox"/> MARKED ONLY						3357-92XX		<input type="checkbox"/> YES <input checked="" type="checkbox"/> NO SHT 3 OF 3	

78-5100-0036-3
DRAWING NUMBER
Revision

Mouser Electronics

Authorized Distributor

Click to View Pricing, Inventory, Delivery & Lifecycle Information:

[3M:](#)

[3357-9237](#) [3808-ER](#) [3357-9215](#) [3357-9225](#) [3357-9209](#)