

# IoT OPTIMIZED LOW PROFILE QUARTZ CRYSTAL



1.6 x 1.2 x 0.40 mm

RoHS/RoHS II Compliant

MSL = N/A: NOT APPLICABLE (See Note #1)

**ABM12-115-26.000MHz**

## FEATURES

- Optimized for low power consumption, wearables, and IoT applications
- Guaranteed low 100Ω ESR ensures operation in power sensitive solutions
- 0.40mm max height ideally suited for height constrained designs
- Seam sealed for longterm reliability

## APPLICATIONS

- Wearables
- Internet of Things (IoT)
- Bluetooth/Bluetooth Low Energy (BLE)
- Wireless modules
- Machine-to-machine (M2M) connectivity
- Ultra-low power MCU
- WiFi

## STANDARD SPECIFICATIONS

| PARAMETERS   | MINIMUM     | TYPICAL | MAXIMUM | UNITS | NOTES          |
|--|-------------|---------|---------|-------|----------------|
| Frequency  | 26.000      |         |         | MHz   |                |
| Operation Mode   | Fundamental |         |         |       |                |
| Operating Temperature  | -20         |         | +70     | °C    |                |
| Storage Temperature  | -40         |         | +125    | °C    |                |
| Frequency Tolerance @+25°C   | -10         |         | +10     | ppm   | See Note#2     |
| Frequency Stability over the Operating Temperature (ref. to +25°C) | -10         |         | +10     | ppm   | See Note#3     |
| Equivalent series resistance (R1)                                  |             |         | 100     | Ω     |                |
| Shunt capacitance (C0)   |             |         | 2       | pF    |                |
| Load capacitance (CL)  | 8           |         |         | pF    |                |
| Drive Level  |             | 10      | 100     | μW    |                |
| Aging@25°C±3°C   |             |         | ±3      | ppm   | First year     |
| Insulation Resistance  | 500         |         |         | MΩ    | @ 100Vdc ± 15V |

**Note#1:** Moisture Sensitivity Level (MSL) – This product is Hermetically Sealed and not Moisture Sensitive

**Note#2:** Referenced to crystal resonant frequency, into an oscillator loop effective load of 8pF

**Note#3:** Referenced to the measured frequency at 25°C±3°C, into an oscillator loop effective load of 8pF

REVISED: 06/21/2016

# IoT OPTIMIZED LOW PROFILE QUARTZ CRYSTAL



1.6 x 1.2 x 0.40 mm

**Pb** RoHS/RoHS II Compliant

MSL = N/A: NOT APPLICABLE (See Note #1)

**ABM12-115-26.000MHz**

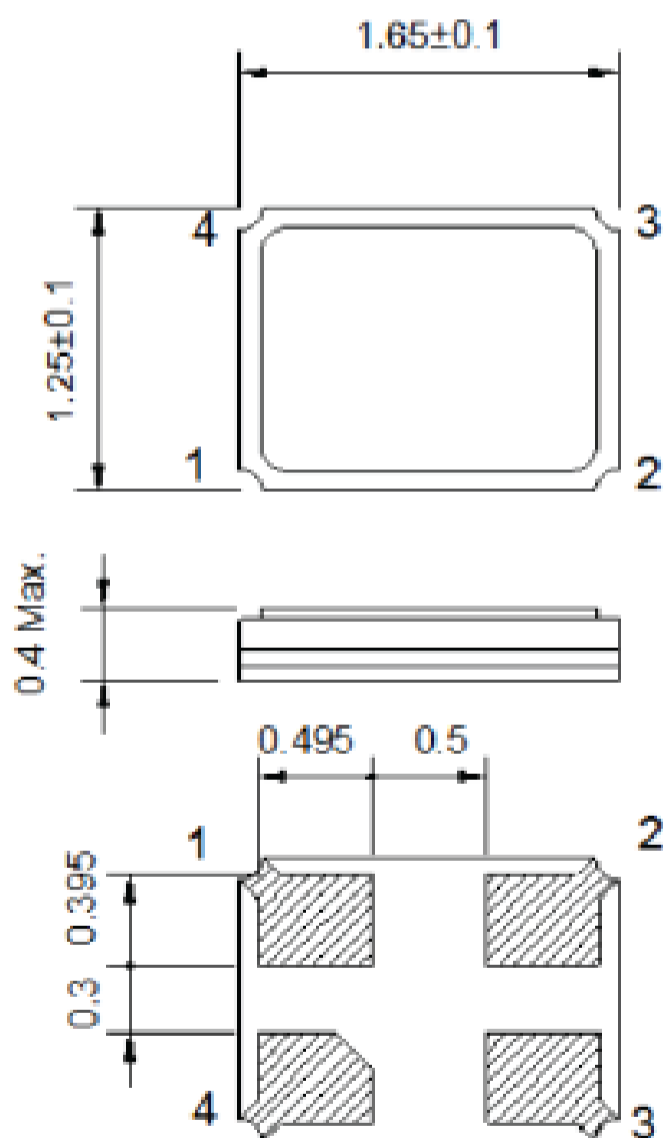
## PART IDENTIFICATION AND ORDERING INFORMATION

ABM12-115-26.000MHz-

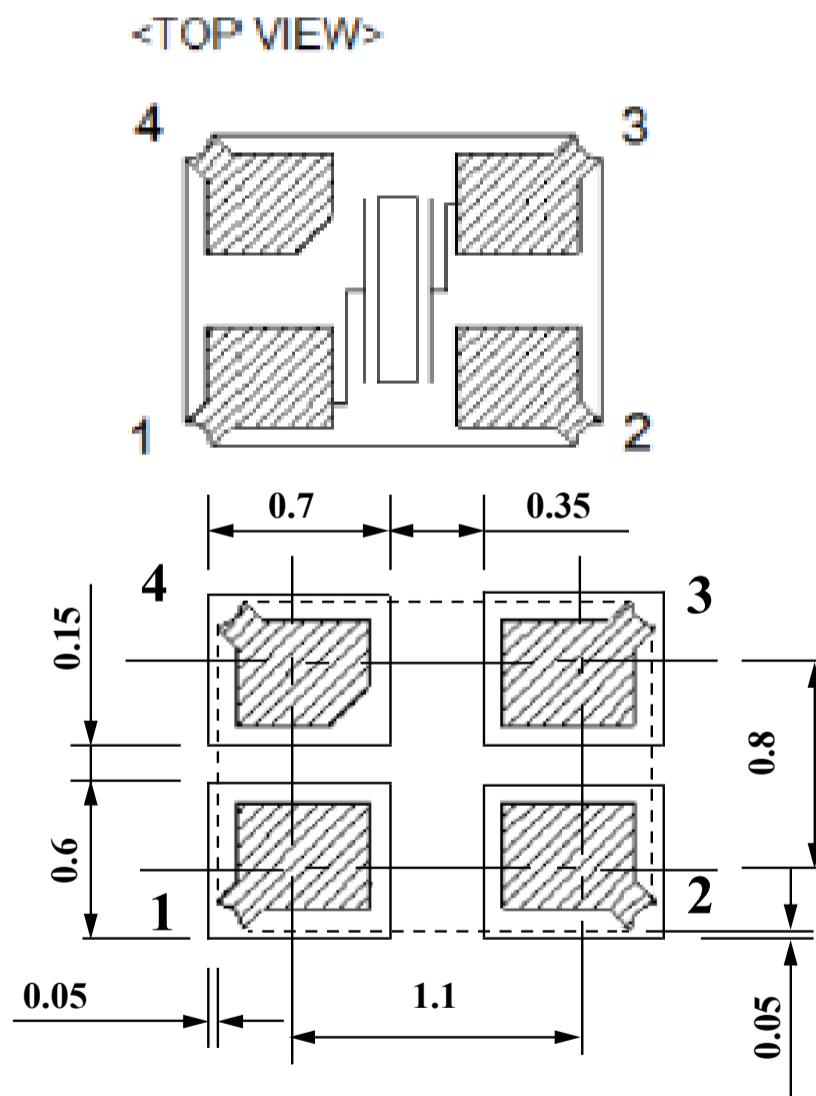


| PACKAGING   |
|-------------|
| Blank: Bulk |
| T3: 3K/Reel |

## MECHANICAL DIMENSIONS (ALL DIMENSIONS ARE IN mm)



## RECOMMENDED LAND PATTERN



REVISED: 06/21/2016

# IoT OPTIMIZED LOW PROFILE QUARTZ CRYSTAL



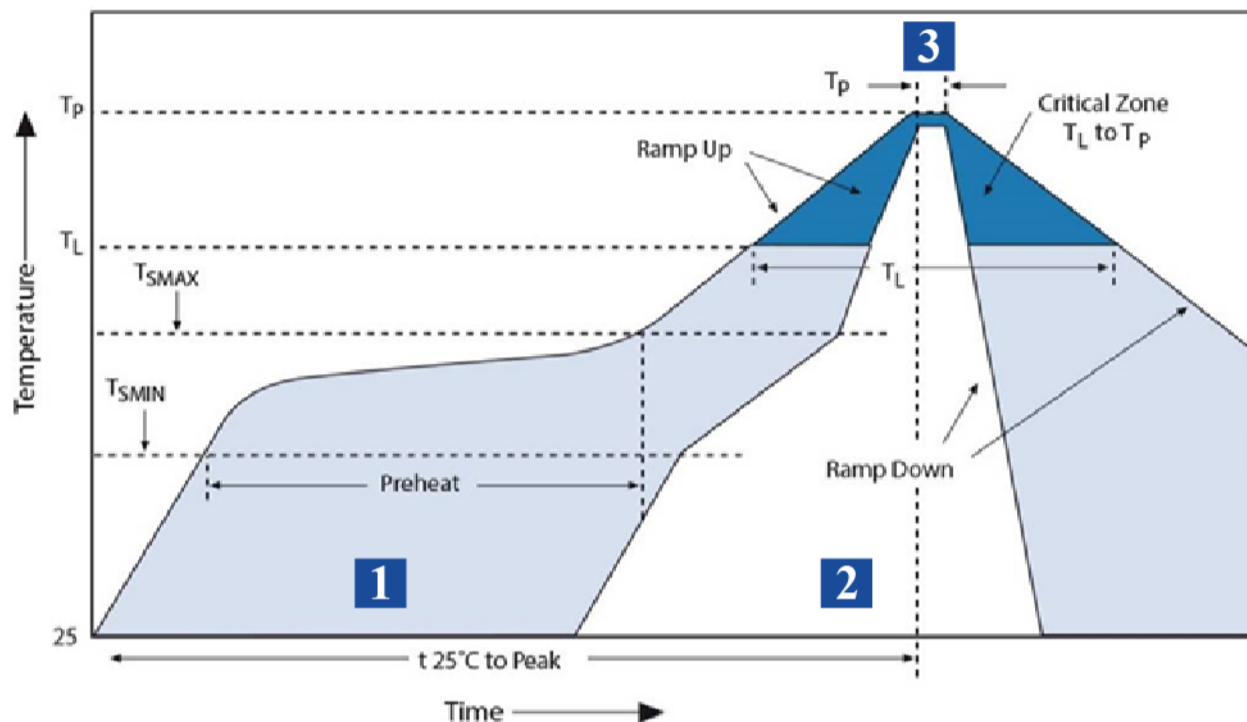
1.6 x 1.2 x 0.40 mm

**Pb** RoHS/RoHS II Compliant

MSL = N/A: NOT APPLICABLE (See Note #1)

**ABM12-115-26.000MHz**

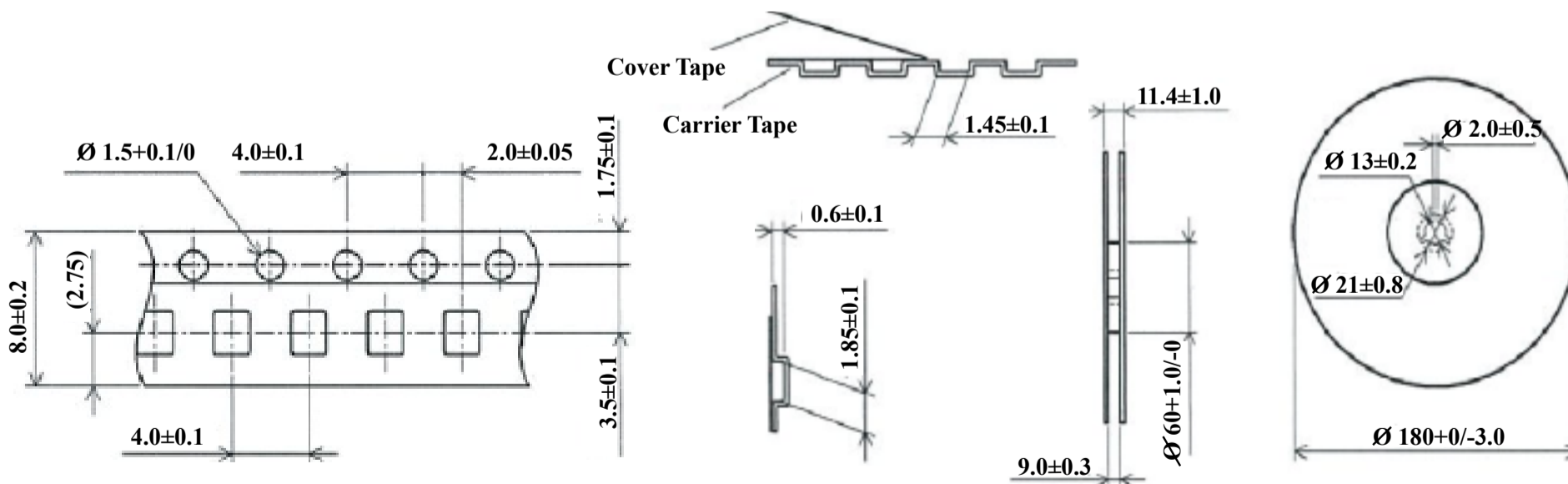
## REFLOW PROFILE



| Zone | Description | Temperature                          | Time        |
|------|-------------|--------------------------------------|-------------|
| 1    | Preheat     | $T_{SMIN} - T_{SMAX}$<br>160°C~180°C | 120 sec.    |
| 2    | Reflow      | $T_L$<br>60°C                        | 60 sec.     |
| 3    | Peak Heat   | $T_P$<br>260°C                       | 10 sec. MAX |

## PACKAGING

**T3: 3000PCS/REEL**



REVISED: 06/21/2016



5101 Hidden Creek Lane Spicewood TX 78669  
 Phone: 512-371-6159 | Fax: 512-351-8858  
 For terms and conditions of sale please visit:  
[www.abracon.com](http://www.abracon.com)

ABRACON IS  
 ISO9001-2008  
 CERTIFIED

# Mouser Electronics

Authorized Distributor

Click to View Pricing, Inventory, Delivery & Lifecycle Information:

[ABRACON:](#)

[ABM12-115-26.000MHz-T3](#)