

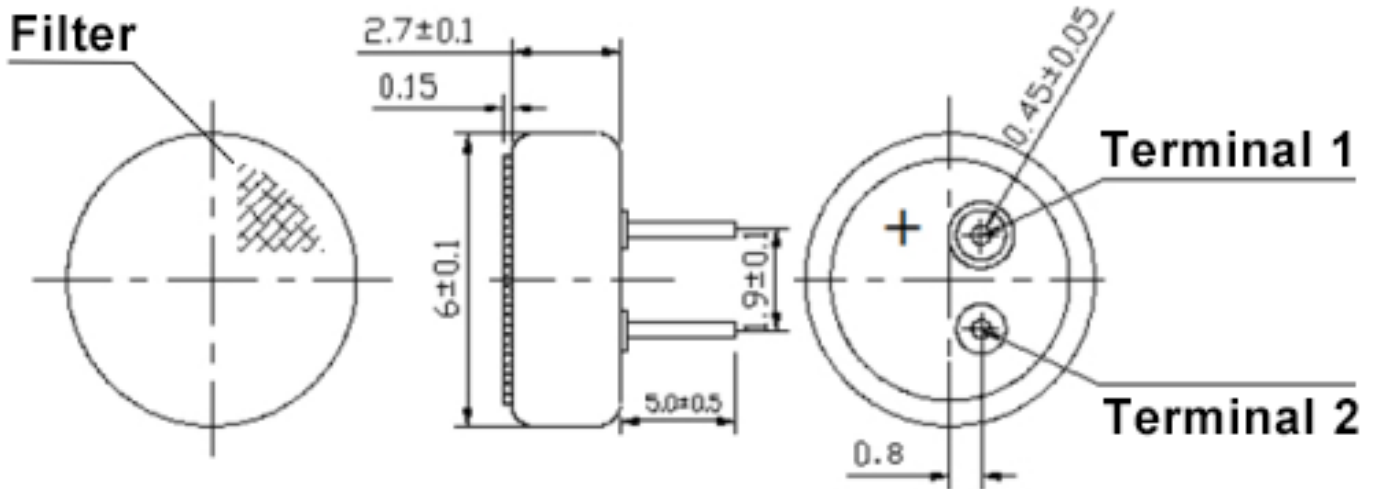
Sales Outline Drawing

Specifications:

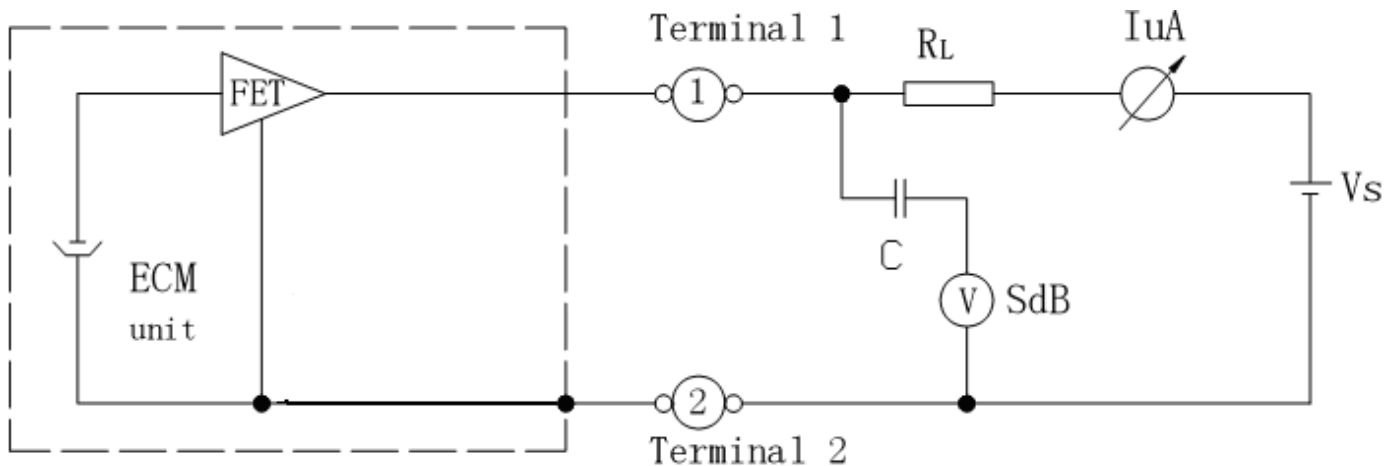
Sensitivity Range	-40 ± 2 dB $R_L = 2.2\text{ k}\Omega$ $V_s = 4.5\text{ vdc}$ (1 kHz 0 dB = 1 v/Pa)
Impedance	Max. 2.2k Ω 1 kHz ($R_L = 2.2\text{ k}\Omega$)
Frequency	20 - 16000 Hz
Current Consumption	Max 0.5 mA
Operating Voltage Range	1.0 – 10 Vdc
Max SPL (dB)	115 dB
S/N Ration	More than 56 dB
Sensitivity Reduction	4.5 –3.0V Variation less than 3 dB
Storage Condition	-20 ~ +60°C; R.H. < 45% ~ 75%
Operating Condition	-10 ~ +45°C; R.H. <85%
Weight (g)	0.05
Options	For other options contact factory

Dimensions: (units: mm)

ROHS Compliant



Schematic Diagram:



Mouser Electronics

Authorized Distributor

Click to View Pricing, Inventory, Delivery & Lifecycle Information:

[Mallory Sonalert:](#)

[PMO-6027P-40KDQ](#)