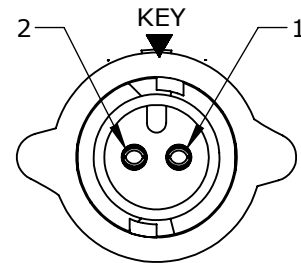


MFG. ENG.	APPROVED BY:	DATE:	QA	APPROVED BY:	DATE:
-----------	--------------	-------	----	--------------	-------

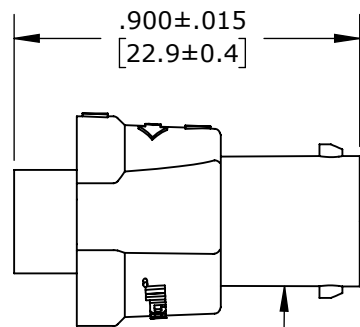
ASS'Y P/N	CONTACT QTY.	CABLE O.D. RANGE
W16280-2SG-P-311	2	0.09 - 0.14 [2.3 - 3.6]
W16280-2SG-P-315	2	0.15 - 0.17 [3.8 - 4.3]
W16280-2SG-P-318	2	0.18 - 0.20 [4.6 - 5.1]
W16280-3SG-P-311	3	0.09 - 0.14 [2.3 - 3.6]
W16280-3SG-P-315	3	0.15 - 0.17 [3.8 - 4.3]
W16280-3SG-P-318	3	0.18 - 0.20 [4.6 - 5.1]
W16280-XSG-P-3XX		

NOTES:

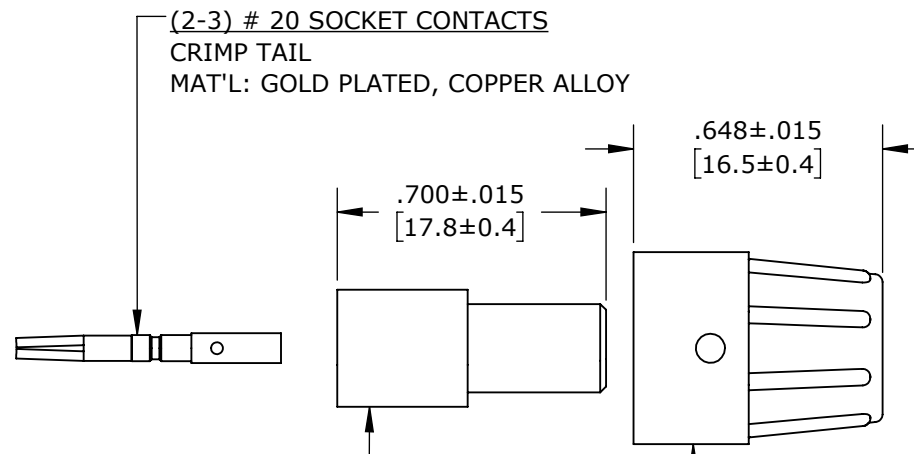
1. ALL PARTS ARE BULK PACKED.
2. REFER TO DRAWING HPMCSTD FOR CONTACT PATTERNS.
3. ALL DIMENSIONS ARE REFERENCE ONLY IN INCHES [mm], WITHIN ±0.015 UNLESS OTHERWISE NOTED.



FACE VIEW
W16280-2SG-P-3XX



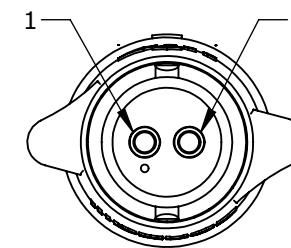
CABLE-END ASSEMBLY KIT
 MAT'L: HOUSING -THERMOPLASTIC, BLACK
 O-RING - SILICONE, RED
 COUPLING RING - THERMOPLASTIC, BLACK
 SPRING (INTERNAL) - STAINLESS STEEL



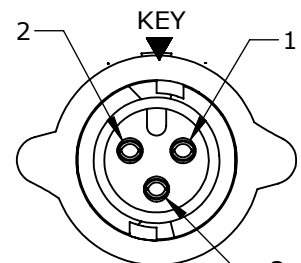
GROMMET
 MAT'L: ELASTOMER, BLACK
 SEE TABLE FOR CABLE O.D. SIZE OPTIONS

OF CONTACTS

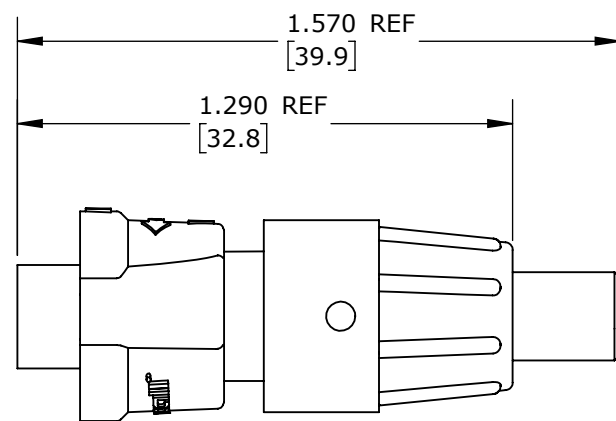
GROMMET SIZE = CABLE O.D. RANGE:
 311 = 0.09 - 0.14 [2.3 - 3.6]
 315 = 0.15 - 0.17 [3.8 - 4.3]
 318 = 0.18 - 0.20 [4.6 - 5.1]



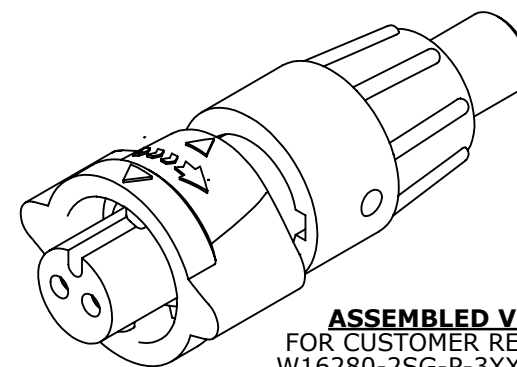
WIRING VIEW
W16280-2SG-P-3XX



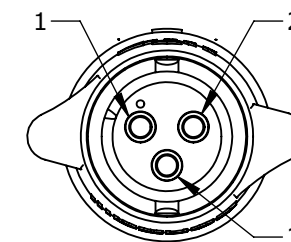
FACE VIEW
W16280-3SG-P-3XX



ASSEMBLED VIEW
FOR CUSTOMER REF. ONLY



ASSEMBLED VIEW
FOR CUSTOMER REF. ONLY
W16280-2SG-P-3XX SHOWN



WIRING VIEW
W16280-3SG-P-3XX

CUSTOMER PRINT

PART NUMBER: W16280-XSG-P-3XX

CUSTOMER APPROVAL

THIS DOCUMENT CONTAINS CONFIDENTIAL INFORMATION PROPRIETARY TO CONXALL CORPORATION. ANY REPRODUCTION, DISCLOSURE, OR USE OF THIS DOCUMENT /INFORMATION IS EXPRESSLY PROHIBITED UNLESS AUTHORIZED IN WRITING BY CONXALL CORPORATION.

APPROVED BY: _____
 DATE: _____

RoHS COMPLIANT

PRELIMINARY

DIMENSIONS IS BRACKETS [] ARE METRIC

0A	JGK	09/06/19	DRAWING CREATED FOR PDR #18004.		
REV.	INIT.	DATE	DESCRIPTION		
	JGK	9/06/19	ALL INFORMATION ILLUSTRATED IS THE PROPERTY OF "CONXALL CORPORATION." UNAUTHORIZED DUPLICATION OR DISTRIBUTION OF THIS DOCUMENT IS PROHIBITED.		
ALL UNITS ARE IN FEET, INCHES, FRACTION OF INCHES AND DECIMALS. UNLESS OTHERWISE SPECIFIED TOLERANCES: 3 PLACE DECIMALS ±.005 ANGLES ±1° FRACTIONS ±1/16			ORG. DRAWN BY: JGK DATE: 9/06/19 CHECKED BY:		
APPROVED BY: _____ DATE: _____			SCALE: NTS SIZE: B SHEET: 1 OF 1	TITLE: CABLE-END ASSEMBLY 2-3 #20 SOCKET CONTACTS, CRIMP INSTA-CLICK, MICRO-CON-X STANDARD PRODUCT	
FILE:	W16280-XSG-P-3XX	DIRECTORY:	SLW	PART NUMBER:	W16280-XSG-P-3XX
					REV 0A

Mouser Electronics

Authorized Distributor

Click to View Pricing, Inventory, Delivery & Lifecycle Information:

Switchcraft:

[W16280-2SG-P-315](#) [W16280-2SG-P-318](#) [W16280-2SG-P-311](#) [W16280-3SG-P-311](#) [W16280-3SG-P-315](#) [W16280-3SG-P-318](#)