

PRODUCT SPECIFICATION

Model No.: FYL-3014ED1A

Descriptions:
<ul style="list-style-type: none"> ■ Dice material: GaP. ■ Emitting Color: Red. ■ Device Outline: Φ3mm round type. ■ Lens Type: Red diffused.



CUSTOMER APPROVED SIGNATURES	APPROVED BY	SALES BY	PREPARED BY
		<div style="border: 1px solid red; padding: 2px; display: inline-block;"> Foryard S020 2018. 12. 04 </div>	<div style="border: 1px solid red; border-radius: 50%; padding: 5px; display: inline-block;"> Foryard E001 2018. 12. 04 </div>

NINGBO FORYARD OPTOELECTRONICS CO.,LTD

Add:NO.115 Qixin Road Ningbo Zhejiang China

Zip:315051

Tel: 0086-574-87933652 87927870 87922206

Fax: 0086-574-87927917

E-mail:Sales@foryard.com (General)

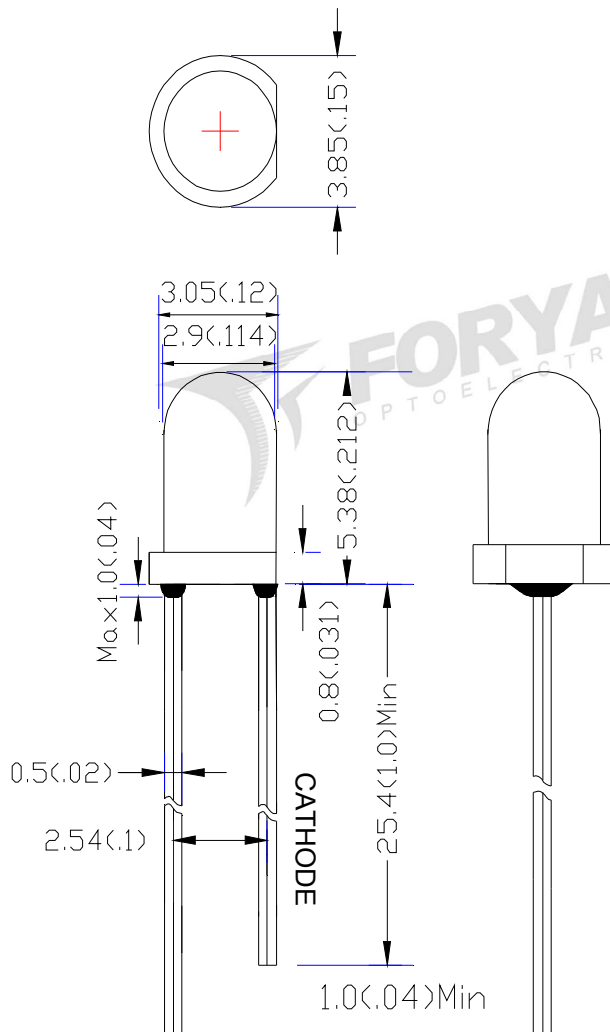
[Http://www.foryard.com](http://www.foryard.com)

Model No.: FYL-3014ED1A

■ **Features**

- 1.Low power consumption.
- 2.High efficiency.
- 3.General purpose leads.
- 4.RoHs compliant.

■ **Package configuration**



Notes:

- 1. All dimensions are millimeters (inches)
- 2. Tolerance is $\pm 0.25\text{mm} (.010\text{'})$ unless otherwise noted.
- 3. The specifications, characteristics and technical data described in the datasheet are subject to change without prior notice.

Model No.: FYL-3014ED1A

■ Absolute Maximun Ratings(Ta=25° C)

Parameter	MAX.	Unit
Power Dissipation	75	mW
Peak Forward Current (1/10 Duty Cycle, 0.1ms Pulse Width)	100	mA
Continuous Forward Current	30	mA
Derating Linear From 50°C	0.4	mA/°C
Reverse Voltage	5	V
Operating Temperature Range	-40°C to +85°C	
Storage Temperature Range	-40°C to +100°C	
Lead Soldering Temperature[4mm(.157") From Body]	260°C for 5 Seconds	

■ Typical Electrical &Optical Charcteristics(Ta=25°C)

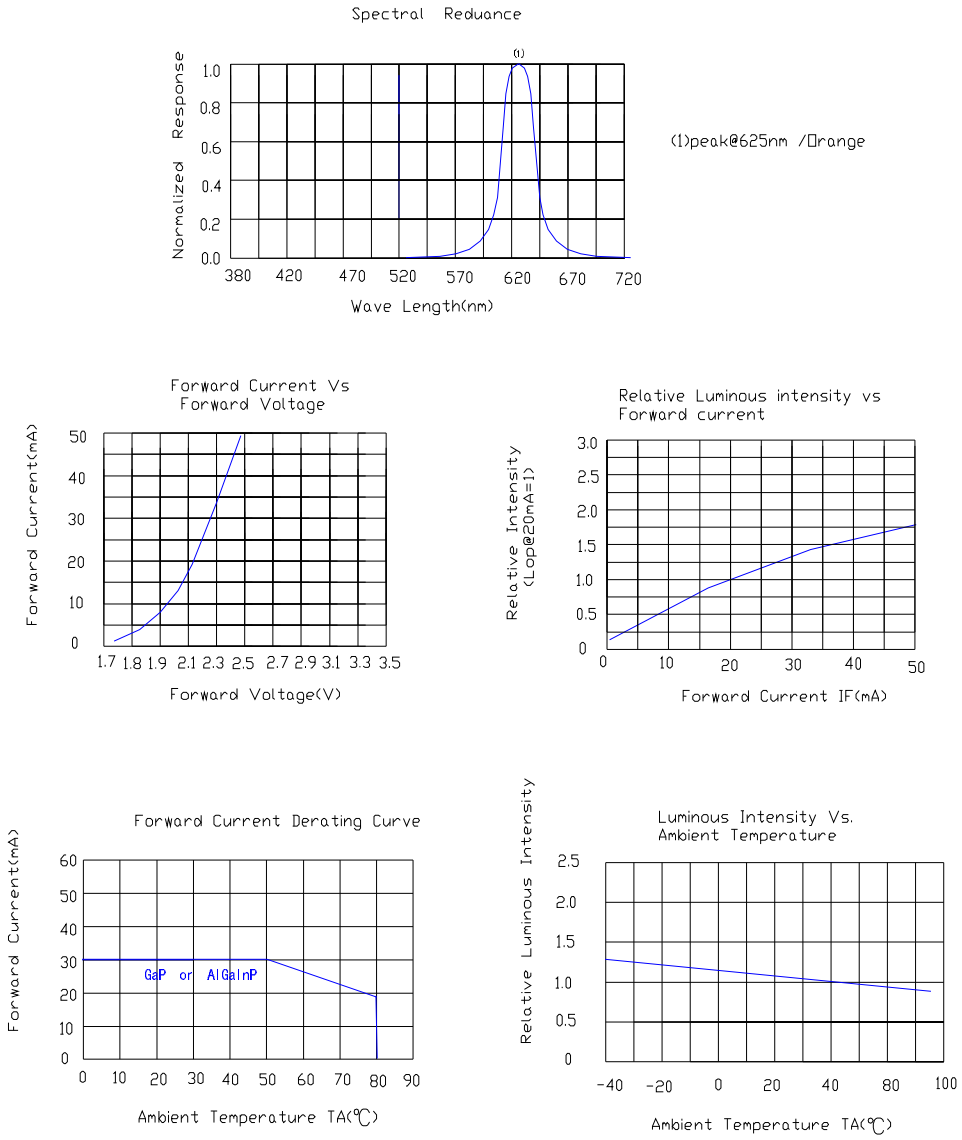
Parameter	Symbol	Min.	Typ.	Max.	Unit	Test Condition
Luminous Intensity	I_v	15	40	-	mcd	IF=20mA
Viewing Angle	$2\theta_{1/2}$	-	40	-	Deg	
Peak Emission Wavelength	λ_p	-	625	-	nm	
Dominant Wavelength	λ_d	615	620	628	nm	
Spectral Line Half-Width	$\Delta\lambda$	-	15	-	nm	
Forward Voltage	V_F	1.6	1.9	2.4	V	
Reverse Current	I_R	-	-	10	μ A	VR=5V

Note:

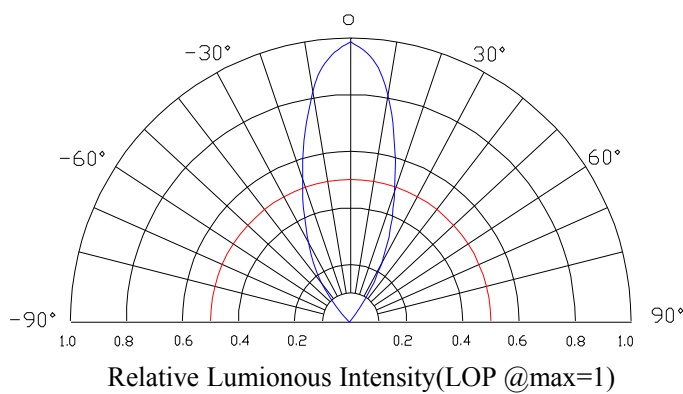
- 1.Luminous Intensity is based on the Foryard standards.
- 2.Pay attention about static for InGaN

Model No.: FYL-3014ED1A

Typical Electrical/Optical Characteristics Curves(Ta=25° C Unless Otherwise Noted)

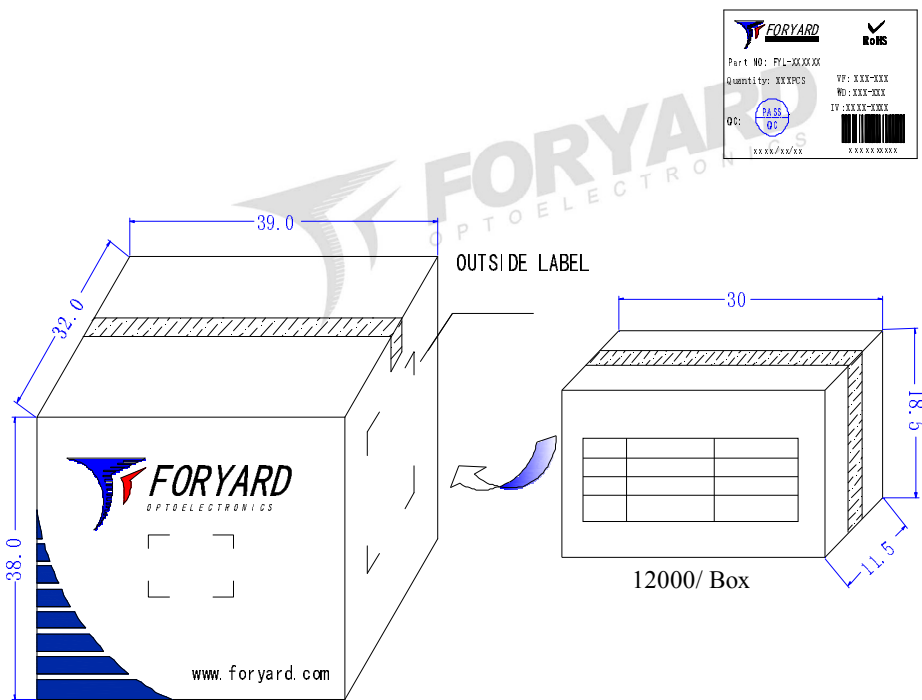
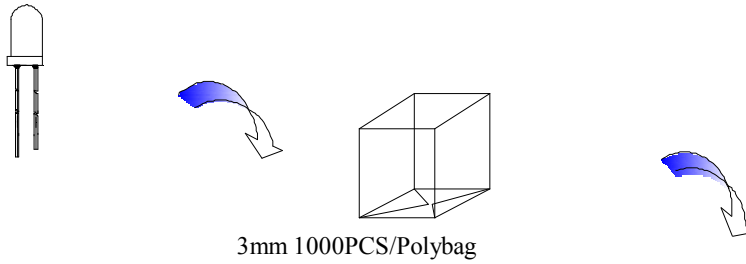


Radiation pattern.



Model No.: FYL-3014ED1A

■ LAMP PACKING.



72000PCS/ Carton



OUTSIDE LABEL

Note: The specifications are subject to change without notice. Please contact us for updated information.