

## FEATURES

- Wood-filled phenolic knobs
- Zinc-plated steel threaded studs
- Made to BS771 standards
- Tolerant of weak acids, with excellent resistance to chlorinated hydrocarbons
- Working temperature range of -30°C to +140°C

## RS PRO Black 4-Arm Clamping Knob, M8

RS Stock No.: 686-654



RS Professionally Approved Products bring to you professional quality parts across all product categories. Our product range has been tested by engineers and provides a comparable quality to the leading brands without paying a premium price.

## Product Description

Knobs are used in a wide variety of applications in our day-to-day lives and perform many functions, from being used as fixed handles to being used to tighten, loosen, adjust, clamp and push other components or pieces of equipment. They are used in various applications, from industrial and construction machinery to audio and visual equipment.

Male knobs: M6 x 13mm (RS [686604](#)), M6 x 25mm (RS [686610](#)), M6 x 40mm (RS [686626](#)), M8 x 20mm (RS [686632](#)), M8 x 25mm (RS [686648](#)), M8 x 40mm (RS [686654](#)).

## General Specifications

|                        |  |
|------------------------|--|
| <b>Thread</b>          | M8   |
| <b>Knob Shape</b>      | 4-Arm  |
| <b>Mounting Type</b>   | Threaded Stud  |
| <b>Body Material</b>   | Phenolic   |
| <b>Insert Material</b> | Steel  |
| <b>Colour</b>          | Black  |
| <b>Application</b>     | Access doors, Drawers & panels (domestic and industrial), Clamps and fixtures, Machinery |

## Mechanical Specifications

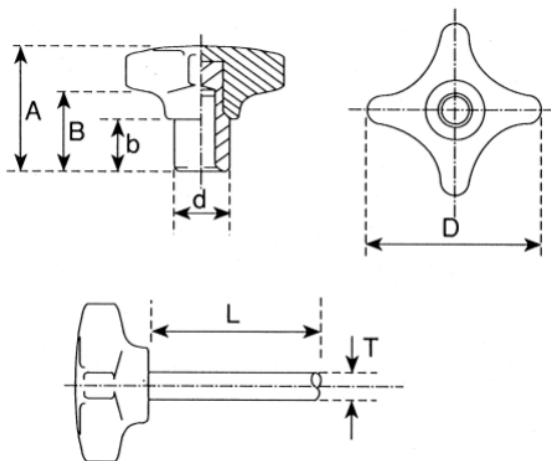
|                        |      |
|------------------------|------|
| <b>Thread Diameter</b> | 8mm  |
| <b>Thread Length</b>   | 40mm |
| <b>Knob Diameter</b>   | 50mm |
| <b>Hole Diameter</b>   | 22mm |
| <b>Hole Length</b>     | 12mm |

## Approvals

|                                  |          |
|----------------------------------|----------|
| <b>Compliance/Certifications</b> | EN 61340 |
|----------------------------------|----------|



**Dimensions:**



| Dimensions (mm) |    |    |    |   |    |
|-----------------|----|----|----|---|----|
| Stock no        | D  | A  | B  | b | d  |
| 686-604         | 38 | 20 | 8  | - | 18 |
| 686-610         | 38 | 20 | 8  | - | 18 |
| 686-626         | 38 | 20 | 8  | - | 18 |
| 686-632         | 50 | 27 | 12 | - | 22 |
| 686-648         | 50 | 27 | 12 | - | 22 |
| 686-654         | 50 | 27 | 12 | - | 22 |