

776438-1 Product Details

Share Print Email



776438-1

TE Internal Number: 776438-1

Active

View 3D PDF

AMPSEAL and AMPSEAL 16 Connector System

Always ELV Compliant (Statement of Compliance)

Product Highlights:

- AMPSEAL 16 Product Line
- Wire-to-Wire
- Applies To Wire/Cable
- Connector
- Housing

[View all Features](#)

Quick Links

- ▶ [Pricing & Availability](#)
- ▶ [Search for Tooling](#)
- ▶ [Product Feature Selector](#)
- ▶ [Contact Us About This Product](#)

[Add to My Part List](#) [Request Sample](#) [Find Similar Products](#) [Buy Product](#)

Documentation & Additional Information

Product Drawings:

- [CAP ASSEMBLY,12 POSITION, DUAL ROW, AMPSEAL 16](#) (PDF, English)

Catalog Pages/Data Sheets:

- None Available

Product Specifications:

- [AMPSEAL 16 Connector System](#) (PDF, English)

Application Specifications:

- [AMPSEAL 16 Connector System](#) (PDF, English)

Instruction Sheets:

- [AMPSEAL 16 Connector System](#) (PDF, English)

CAD Files: (CAD Format & Compression Information)

- [2D Drawing](#) (DXF, Version C)
- [3D Model](#) (IGES, Version C)
- [3D Model](#) (STEP, Version C)

[List all Documents](#)

Related Products:

- [Tooling](#)

Product Features (Please use the Product Drawing for all design activity)

Product Type Features:

- Product Line = AMPSEAL 16
- Product Type = Connector
- Connector Type = Housing
- Wire/Cable Type = Discrete Wire
- Termination Method to Wire/Cable = Crimp
- Strain Relief = Without

Mechanical Attachment:

- Contact Retention = With
- Contact Retention Type = Terminal Position Assurance (TPA)
- Panel Mount Retention = Without
- Mating Retention Type = Latching

Electrical Characteristics:

- Contact - Rated Current (A) = 13
- Operating Voltage Reference = DC
- Operating Voltage (VDC) = 250

Termination Features:

- Seal Type = Wire Seal

Body Features:

- Wire Type = Stranded
- Cable Exit Angle = Straight
- Row-to-Row Spacing (mm [in]) = 5.30 [0.209]
- Mating Retention = With

Contact Features:

- Contact Type = Pin
- Contact Layout = In-Line

Configuration Features:

- Number of Positions = 12
- Number of Rows = 2
- GET 0.64 Connector System = No

Industry Standards:

- [RoHS/ELV Compliance](#) = ELV compliant
- [Lead Free Solder Processes](#) = Not reviewed for lead free solder process
- [RoHS/ELV Compliance History](#) = Always was ELV compliant

Identification Marking:

- Keying = A

Environmental:

- Operating Temperature (°C [°F]) = -40 - +125 [-40 - +257]

Conditions for Usage:

- [Applies To](#) = Wire/Cable

Operation/Application:

- Application Use = Wire-to-Wire
- Contact Transmits (Typical Application) = Signal (Data)/Power

Packaging Features:

- Packaging Method = Package
- Packaging Quantity = 1

Other:

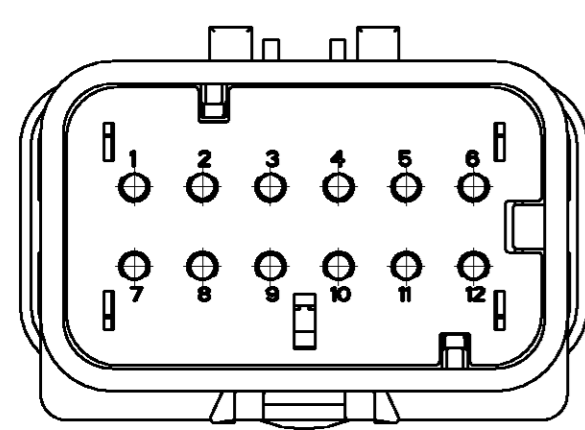
- Brand = TE Connectivity

Housing Features:

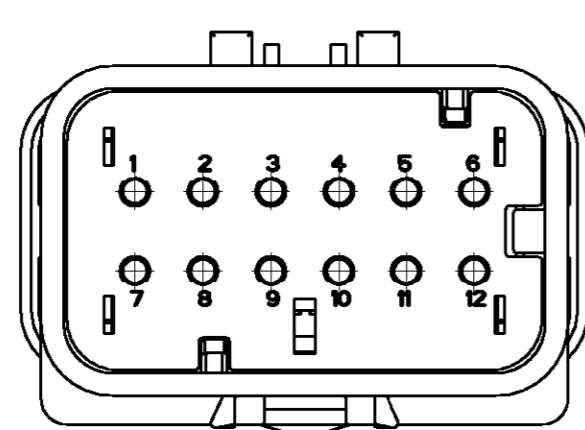
- Connector Style = Receptacle
- Centerline (mm [in]) = 4.50 [0.177]
- Housing Material = Thermoplastic - GF15
- Housing Color = Black
- UL Flammability Rating = UL 94-HB
- Mating Alignment = With
- Mating Alignment Type = Keyed

THIS DRAWING IS UNPUBLISHED. RELEASED FOR PUBLICATION
 © COPYRIGHT ALL RIGHTS RESERVED.

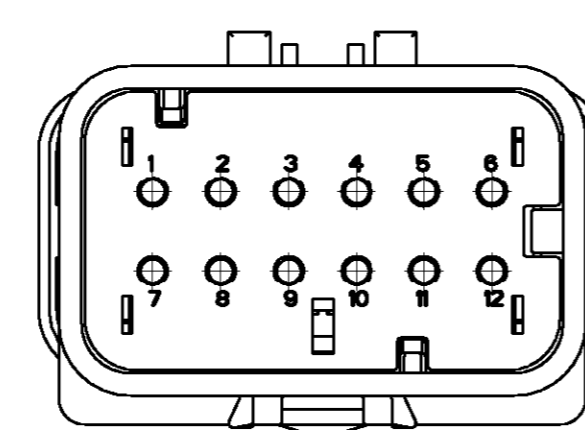
LOC	DIST	REVISIONS			
F	LTR	DESCRIPTION	DATE	DWN	APVD
GE	00	C1 REVISED PER ECO-11-005294	20APR11	RK	HMR



776438-2
SCALE 2:1

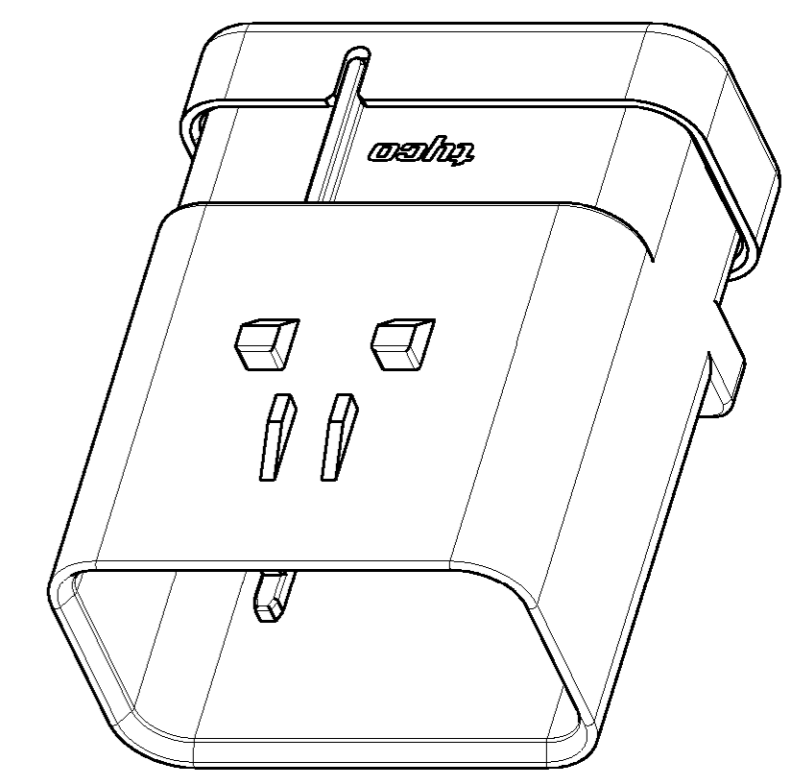
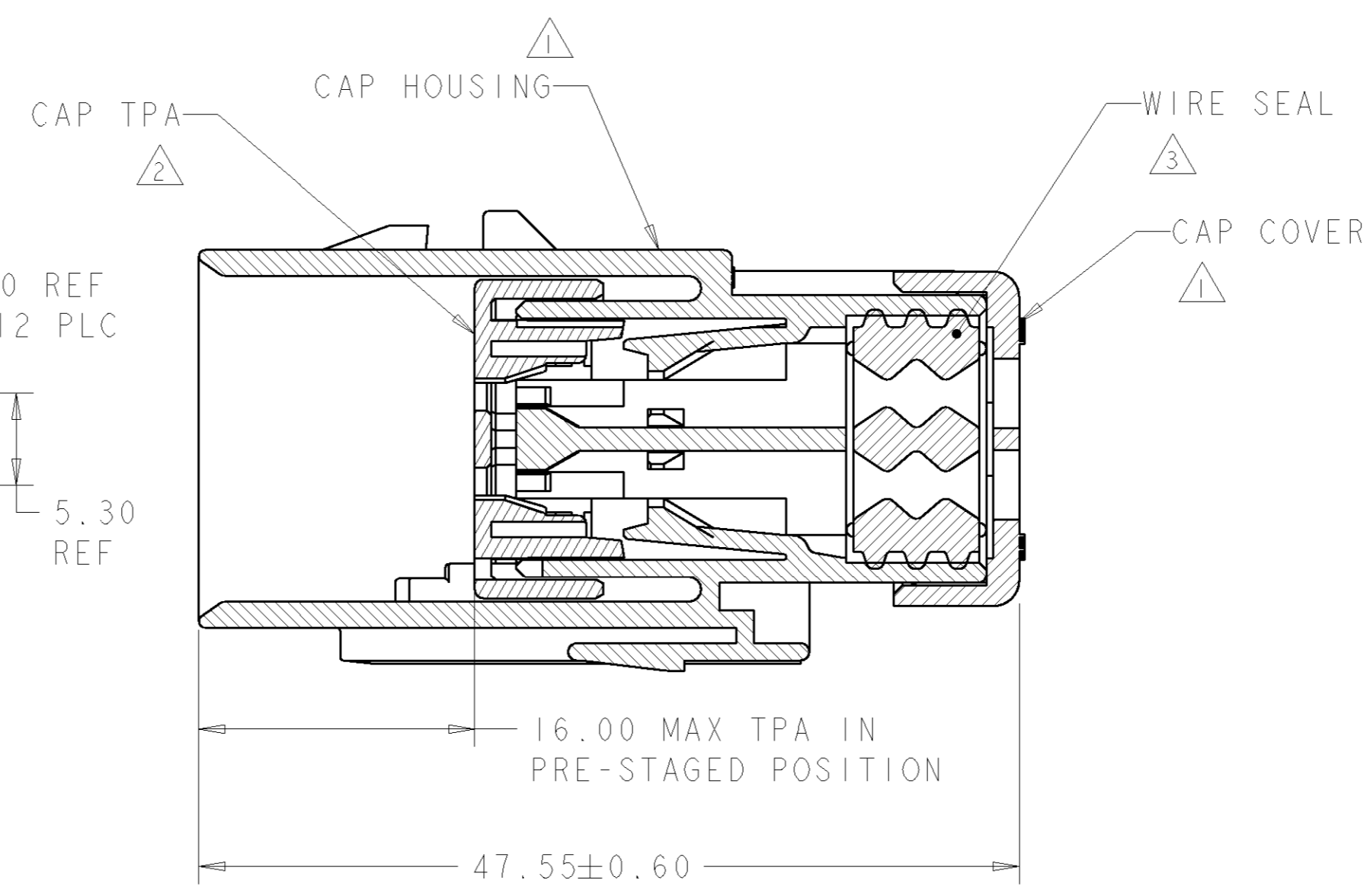
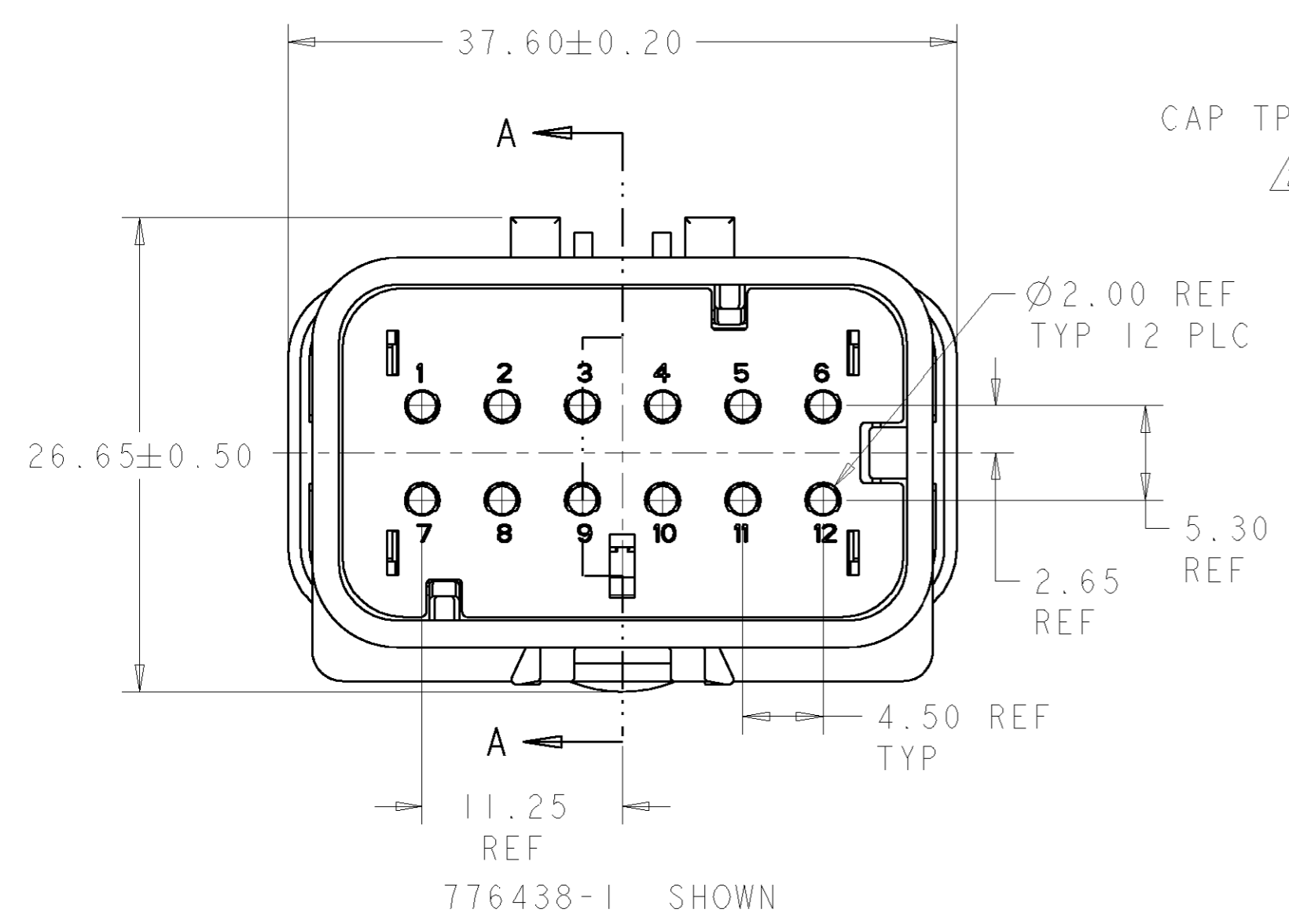


776438-3
SCALE 2:1



776438-4
SCALE 2:1

- ① MATERIAL: 15% GLASS FILLED THERMOPLASTIC
COLOR: BLACK
- ② MATERIAL: 15% GLASS FILLED THERMOPLASTIC
COLOR: (SEE TABLE)
- ③ MATERIAL: SILICONE
COLOR: YELLOW



SCALE 2:1

TPA COLOR	PART NUMBER
GREEN	776438-4
YELLOW	776438-3
GRAY	776438-2
RED	776438-1

DIMENSIONS: mm 		TOLERANCES UNLESS OTHERWISE SPECIFIED: 0 PLC ± 1 PLC ± 2 PLC ± 3 PLC ± 4 PLC ± ANGLES ± FINISH		DWN: A.J. GRAFF 06DEC99 CHK: R. GREINER 03JAN02 APVD: M. TRULLI 03JAN02 PRODUCT SPEC: - APPLICATION SPEC: 114-13065 WEIGHT: - CUSTOMER DRAWING		TE Connectivity NAME: CAP ASSEMBLY, 12 POSITION, DUAL ROW, AMPSEAL 16 SIZE: A2 CAGE CODE: 00779 DRAWING NO: C-776438 RESTRICTED TO: - SCALE: 2:1 SHEET OF 1 REV: C1	
-----------------------	--	---	--	--	--	---	--