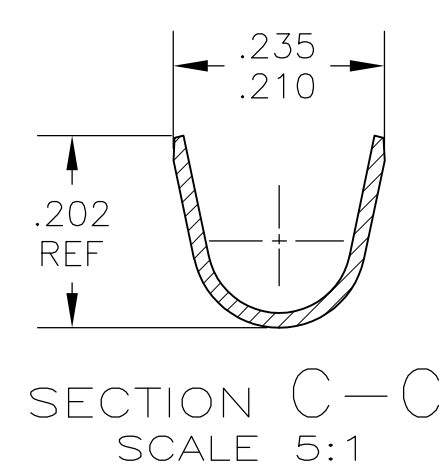
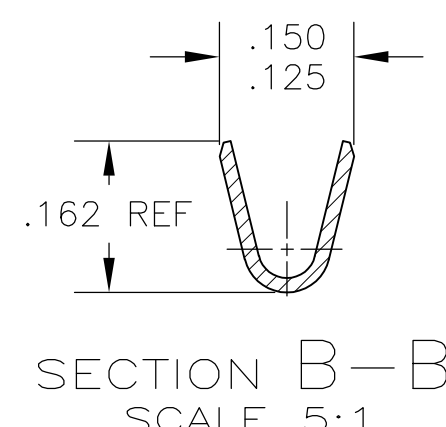
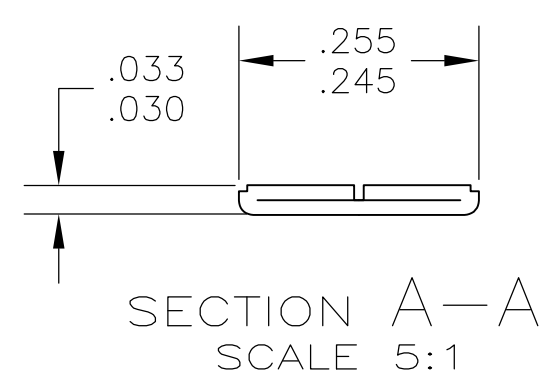
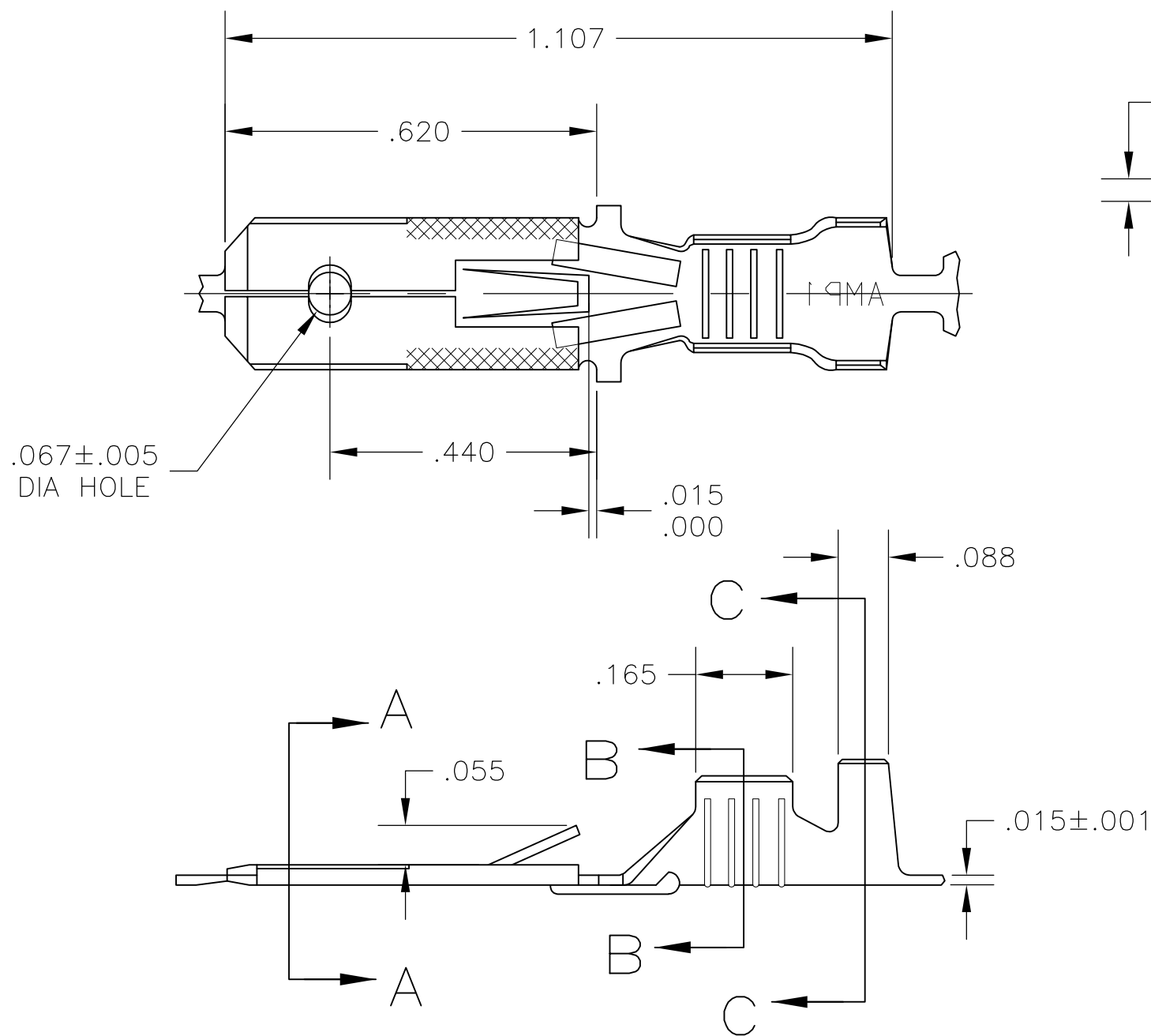


THIS DRAWING IS UNPUBLISHED. RELEASED FOR PUBLICATION
 © COPYRIGHT BY TYCO ELECTRONICS CORPORATION. ALL RIGHTS RESERVED.

LOC	DIST	REVISIONS					
AF	50	P	LTR	DESCRIPTION	DATE	DWN	APVD
			AA3	REVISED PER ECR-09-008377	14APR09	HMR	PD

- 1 CONTINUOUS STRIP ON REELS.
- 2 WIRE SIZE IS #18-#14.
- 3 INSULATION RANGE IS .100-.170 DIA.
- 4 FOREIGN PRODUCTION ONLY.
- 5 PREPRODUCTION - FASR REQUIRED.
- 6 PRELIMINARY - NOT FOR PRODUCTION.



	NICKEL	#2H BRASS	6	42460-9
	PRE-TIN	#2H BRASS	4 5	42460-8
OBSOLETE	SILVER .000120 MIN	#2H BRASS		42460-7
	-	#2H PHOS BRZ		42460-6
OBSOLETE	TIN .000080 MIN	#2H BRASS		42460-5
	PRE-TIN	#2H BRASS		42460-4
	SILVER .000120 MIN	#2H PHOS BRZ		42460-3
	TIN .000080 MIN	#2H BRASS		42460-2
	-	#2H BRASS		42460-1
	FINISH	MATERIAL		PART NO

THIS DRAWING IS A CONTROLLED DOCUMENT.		DWN	JR RUTH	9/17/90	Tyco Electronics Corporation Harrisburg, PA 17105-3608		
DIMENSIONS: INCHES		CHK	MS FEHER	9/17/90			
TOLERANCES UNLESS OTHERWISE SPECIFIED:		APVD	R KUZO	9/17/90	NAME		
0 PLC ± - 1 PLC ± - 2 PLC ± - 3 PLC ± .015 4 PLC ± - ANGLES ± -		PRODUCT SPEC		TAB, FASTIN-FASTON, .250 SERIES			
MATERIAL SEE TABLE		FINISH SEE TABLE		APPLICATION SPEC		RESTRICTED TO	
		WEIGHT -		SIZE	CAGE CODE	DRAWING NO	
		CUSTOMER DRAWING		A3	00779	C-42460	
		SCALE		4:1	SHEET	1 OF 1	
		REV		AA3			