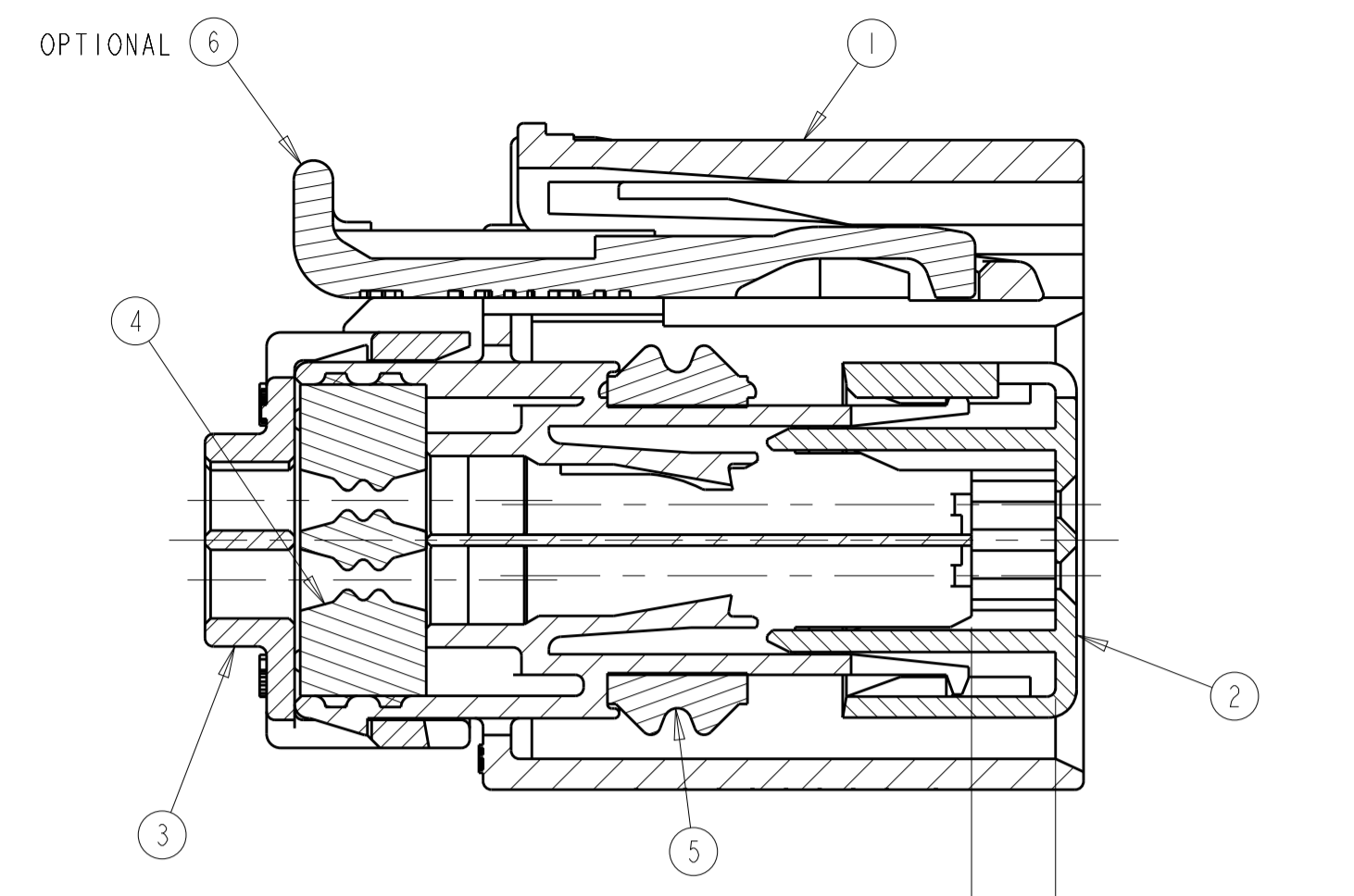
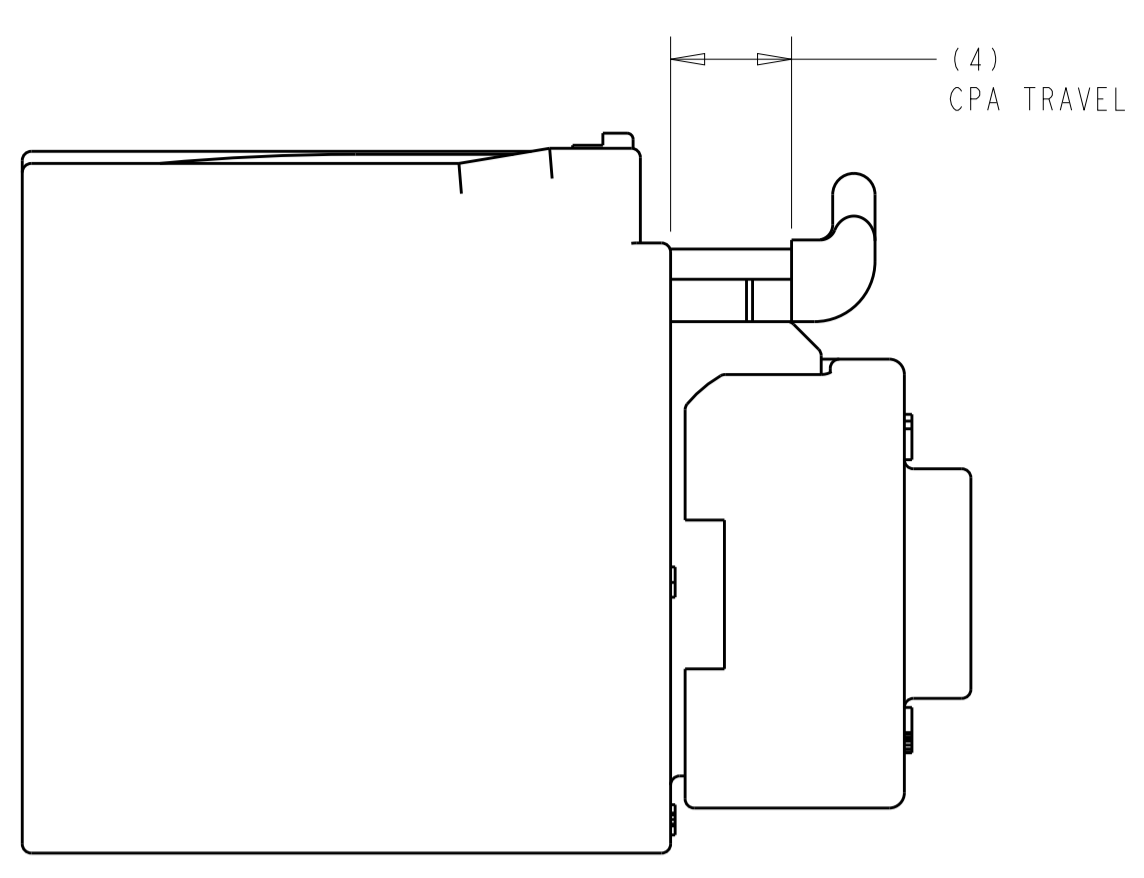
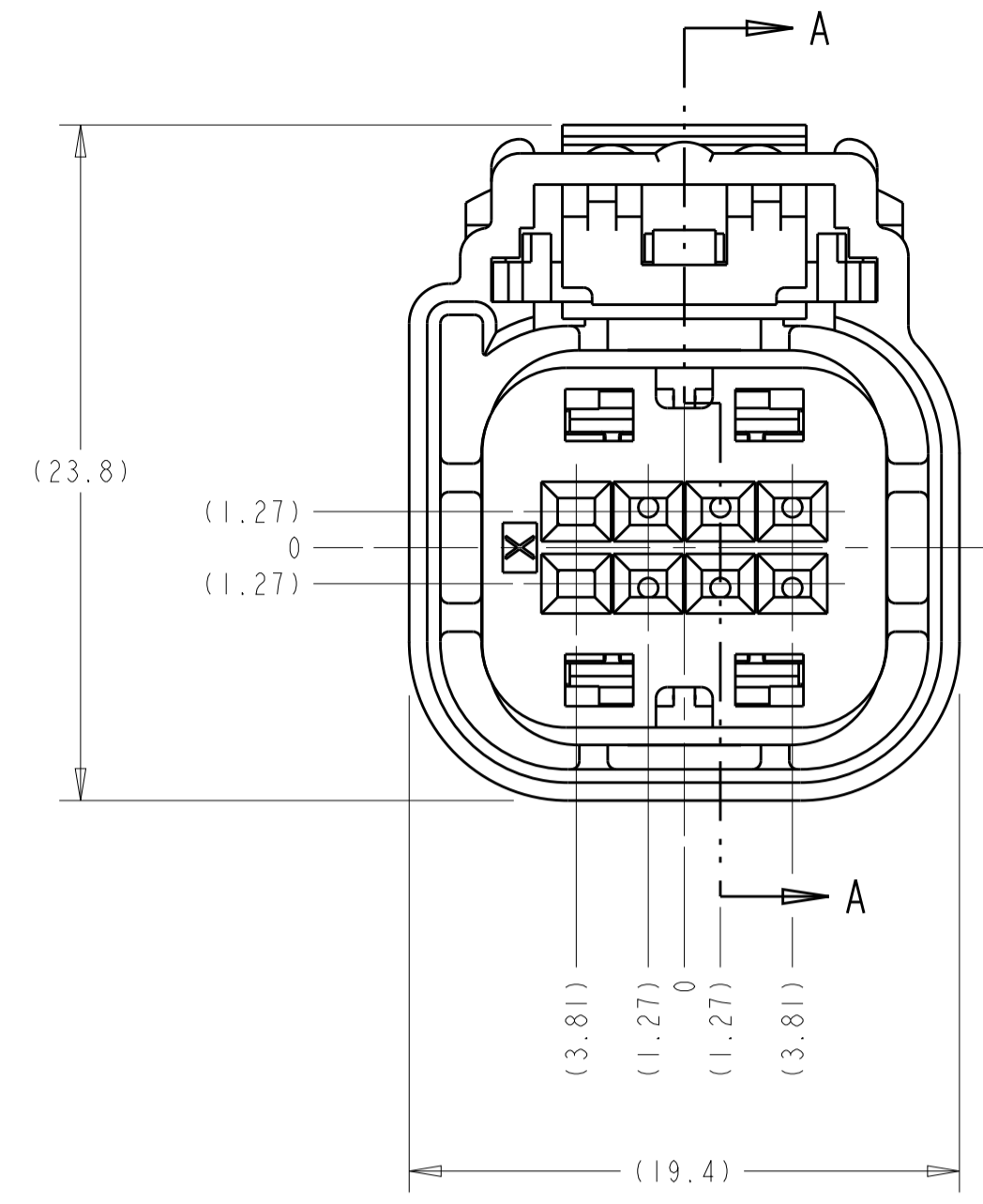


REVISIONS				
P.	LTN.	DESCRIPTION	DATE	APP'D.
J2		REVISED PER ECO-13-008105	14MAY2013	DLD DCM
J3		REVISED PER ECO-16-010255	12JUL2016	DLD DCM
J4		REVISED PER ECO-16-012408	29AUG2016	DLD DCM
J5		REV PER ECO-19-007294	22MAY2019	RGV CM

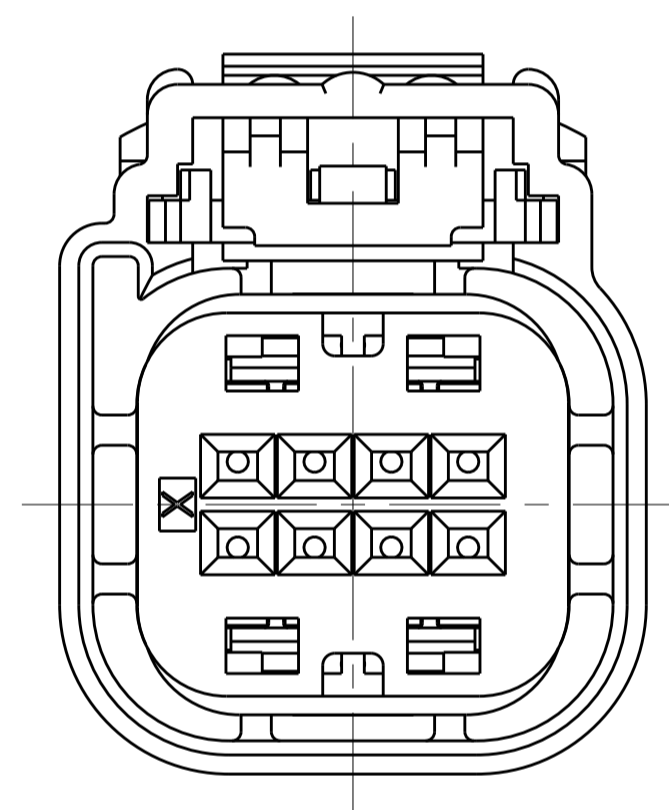


SECTION A-A
 SHOWN WITH TPA
 AND CPA (OPTIONAL) IN
 THEIR PRE-ASSEMBLED POSITION
 (DELIVERY CONDITION)

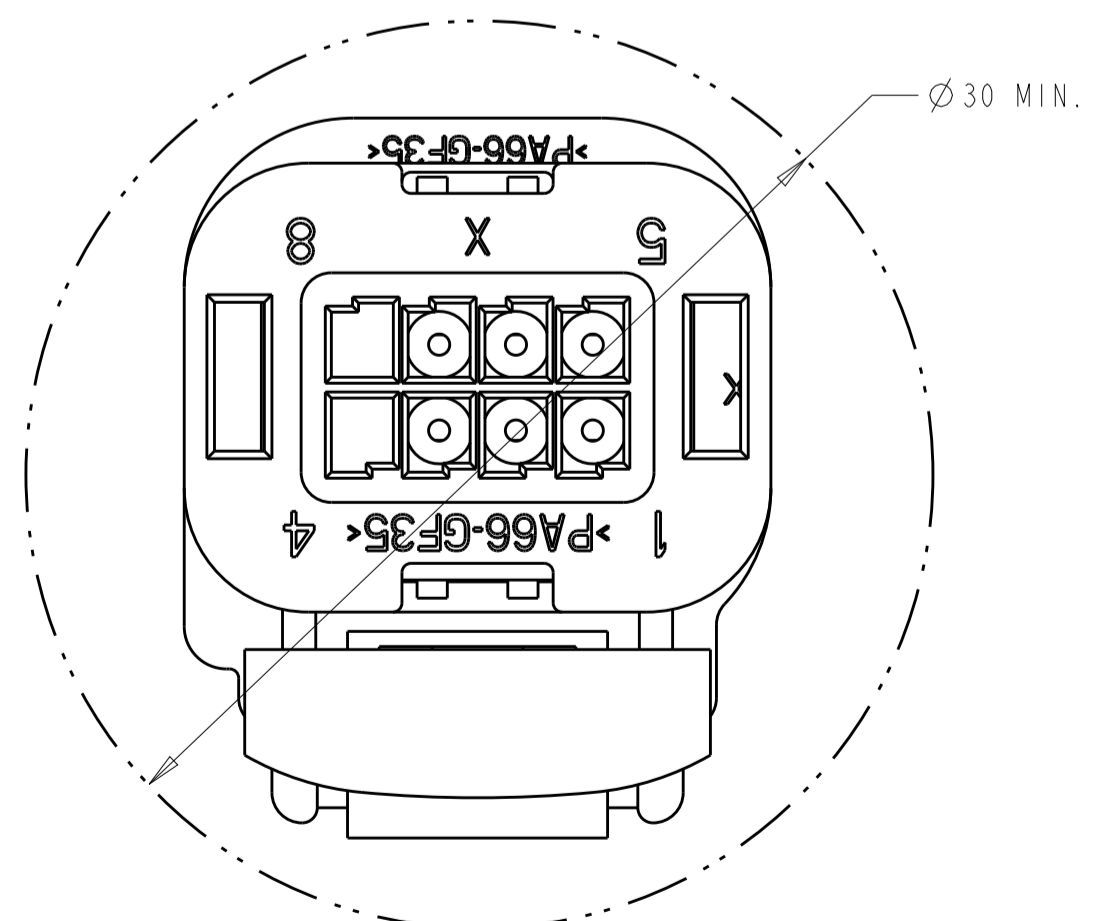
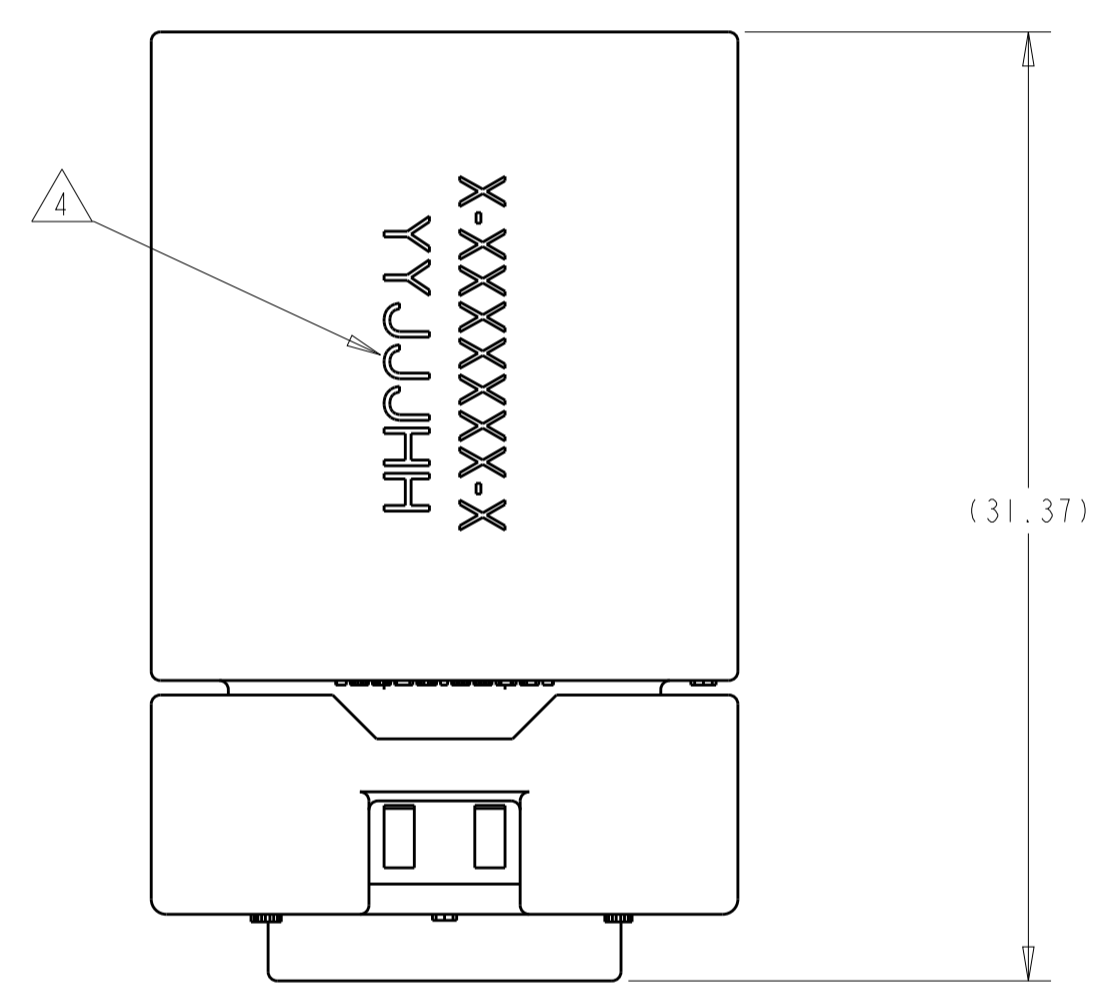


COVER CHART			
TERMINAL POSITION	ASSEMBLY PART NUMBER	COVER TYPE	MATERIAL
	1-1411001-1	"STANDARD"	>PA66-GF35<
3	1-1411001-0	"STANDARD"	>PA66-GF35<
	1411001-9	"STANDARD"	>PA66-GF35<
3 4	1411001-8	"STANDARD"	>PA66-GF35<
	1411001-7	"STANDARD"	>PA66-GF35<
	1411001-6	"STANDARD"	>PA66-GF35<
3 4	1411001-5	"STANDARD"	>PA66-GF35<
	1411001-4	"WIRESHIELD COMPATIBLE"	>PA66-GF35<
	1411001-3	"STANDARD"	>PA66-GF35<
4	1411001-2	"STANDARD"	>PA66-GF35<
	1411001-1	"STANDARD"	>PA66-GF35<

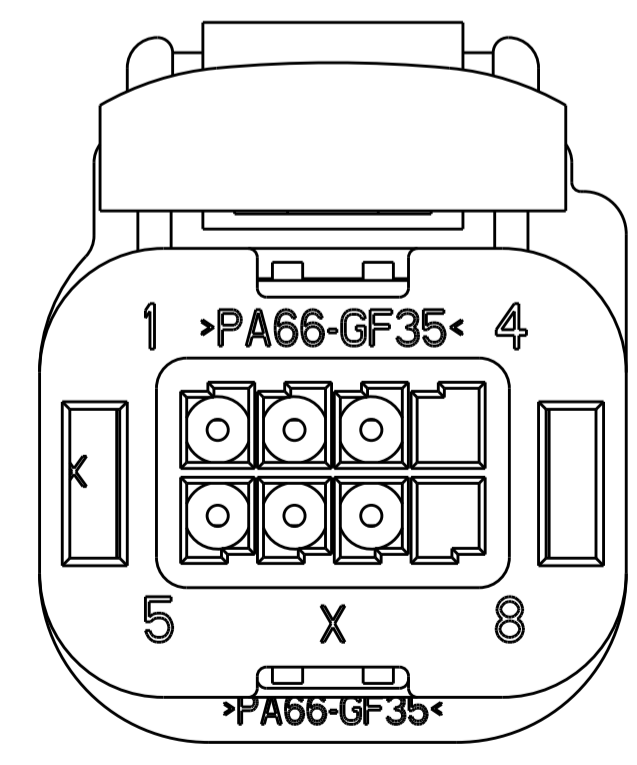
CAVITIES WITH A NUMBER INDICATES CLOSED TERMINAL HOLE LOCATIONS
 BLANK CAVITIES INDICATE OPEN TERMINAL HOLE LOCATIONS



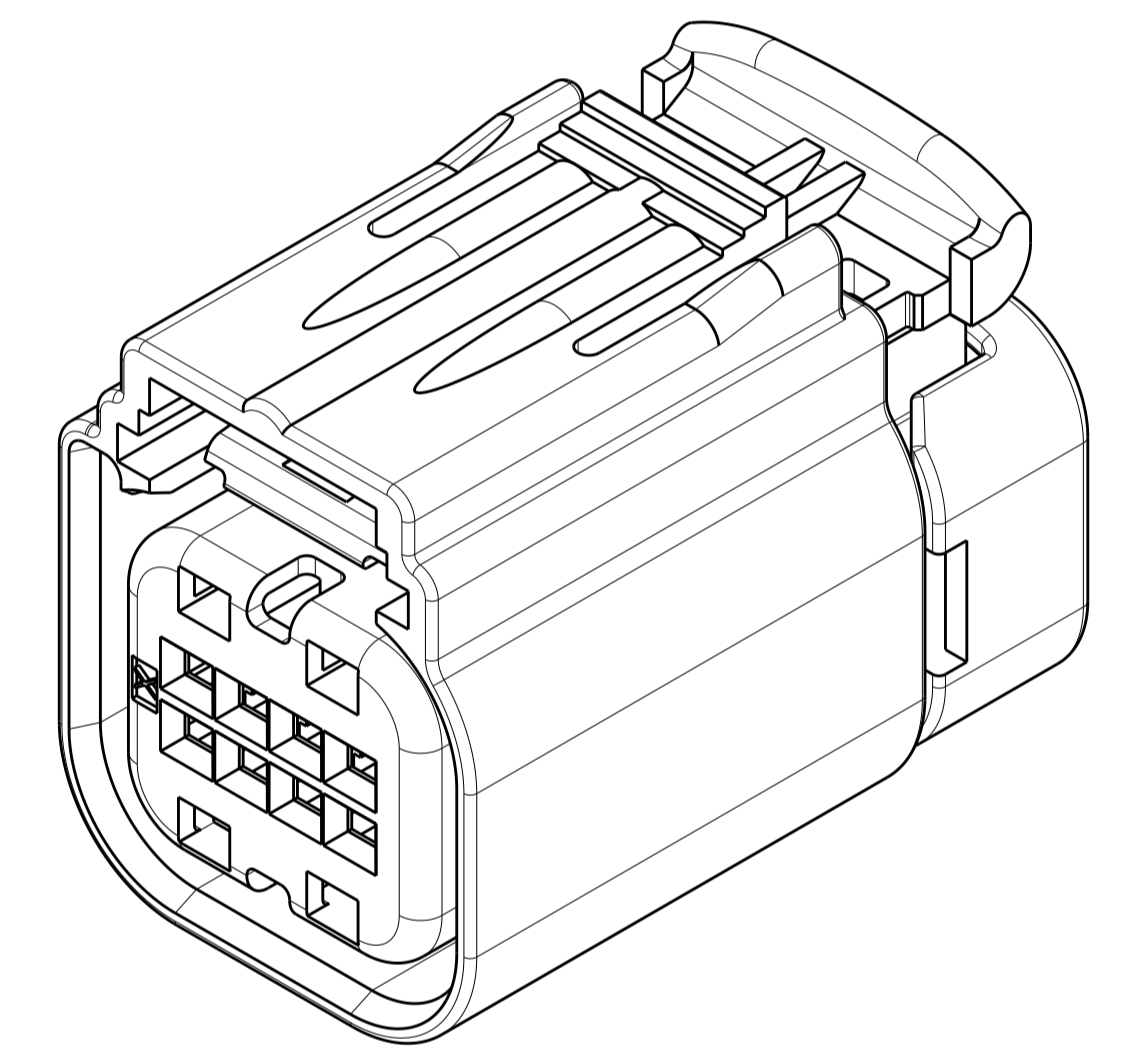
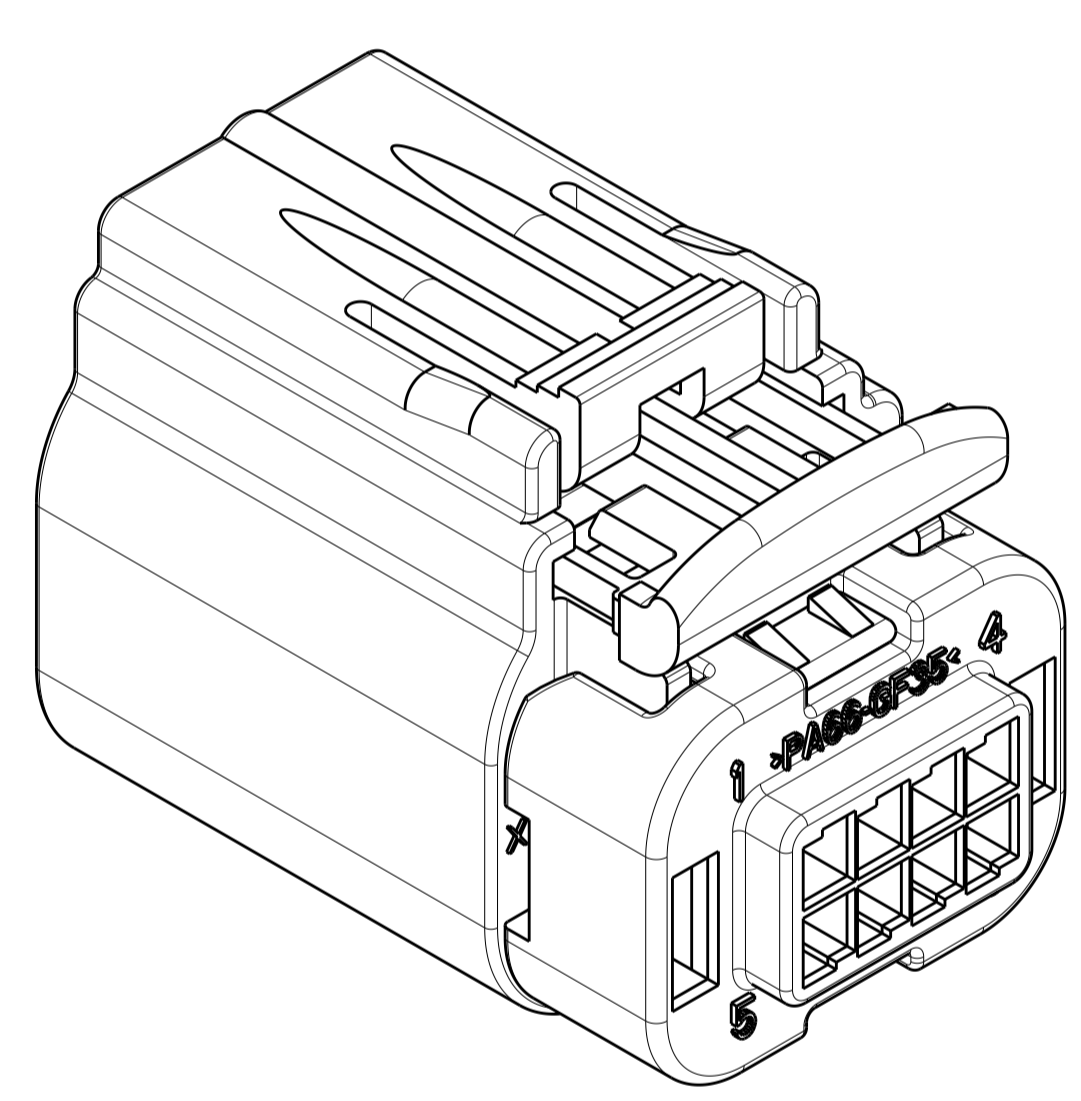
KEYING OPTION "B"



MINIMUM FEED THRU CONDITION
 WITH 1mm CLEARANCE ALL AROUND



COVER
 "WIRESHIELD COMPATIBLE"
 SEE COVER CHART
 WITH POSITIONS
 4 AND 8 CLOSED



KEYING OPTION "B" SHOWN
 SEE NOTE 5 FOR APPLICABLE
 HEADER INTERFACE INFORMATION

- APPLICABLE TERMINAL PART NUMBERS (SOLD SEPARATELY):
 FOR TIN APPLICATIONS: 1393367 AND 1393366.
 FOR GOLD APPLICATIONS: 1393365 AND 1393364.
 FOR TERMINATION AND REELING OPTIONS
 SEE DRAWINGS 1393367, 1393366, 1393365, AND 1393364.
- COMPATIBLE WIRE SIZES FOR MAT SEAL DESIGN 1.19 TO 2.06 O.D.
 (22-18 AWG, 0.35-0.75 mm²)
- TPA IS SHIPPED IN PRE-LOADED POSITION. SOME TPA'S MAY BECOME FULLY SEATED DURING SHIPPING. USE TYCO INSTRUCTION SHEET 408-10128 TO REPOSITION TPA TO IT'S PRE-LOADED POSITION.
- TE CONNECTIVITY ASSEMBLY PART NUMBER (X-XXXXXX-X) AND TRACEABILITY CODE (YY = TWO DIGIT YEAR, JJJ = JULIAN DAY, HH = TWO DIGIT MILITARY HOUR) ARE PRINTED IN THIS LOCATION.
- APPLICABLE HEADER INTERFACE DRAWING I488342 IS AVAILABLE UPON REQUEST. A COPY OF THIS DRAWING CAN BE OBTAINED FROM THE TE CONNECTIVITY (TE) PRODUCT MANAGER, VIA YOUR TE SALES REPRESENTATIVE OR CUSTOMER SERVICE.
- ASSEMBLIES ARE BULK PACKAGED.
- OPTIONAL CPA IS SHIPPED IN IT'S PRE-LOADED POSITION.

QUANTITY				ITEM			
				DESCRIPTION			
				6	CPA	RED	PBT-GF15
				5	PERIMETER SEAL	LIGHT GREEN	SILICONE
				4	GROMMET	BROWN	SILICONE
				3	WIRE COVER	BLACK	LCP-GF30
						BLACK	PA66-GF35
				2	TPA	RED	PBT+PC-GF30
				1	PLUG "B"	BLACK	PA66-GF35
						COLOR	MATERIAL

----- ASSEMBLY PART NUMBERS

THIS DRAWING IS A CONTROLLED DOCUMENT.		OWN: M. HITCHCOCK	DATE: 01OCT2001
DIMENSIONS: mm		CHK: M. FORLSKA	DATE: 12NOV2001
TOLERANCES UNLESS OTHERWISE SPECIFIED:		APP'D: A. SHUMAN	DATE: 12NOV2001
0 PLC	±	NAME	
1 PLC	±0.3	PRODUCT SPEC	
2 PLC	±0.10	APPLICATION SPEC	
3 PLC	±	SIZE: CAGE CODE: DRAWING NO:	
4 PLC	±	RESTRICTED TO	
ANGLES	±	WEIGHT: 114-13150	
FINISH	±	CUSTOMER DRAWING	

SCALE: 4:1 SHEET 1 OF 1 REV J5