

4


3

2

DWG NO. GE-2158 SH 1 REV D

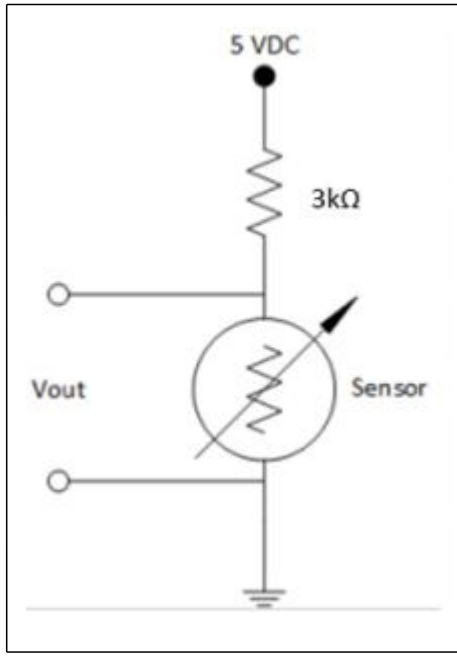
1

PROPRIETARY NOTICE: THE INFORMATION CONTAINED IN THIS DOCUMENT IS PROPRIETARY TO AMPHENOL AND SHALL NOT BE DISCLOSED IN WHOLE OR IN PART IN ANY FORM OR FOR ANY REASON EXCEPT AS EXPRESSLY STATED IN WRITING BY AMPHENOL.

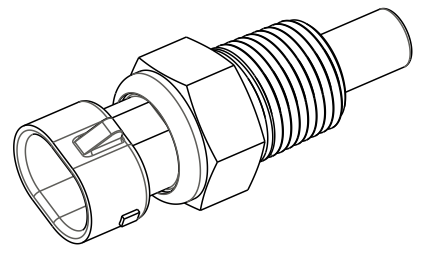
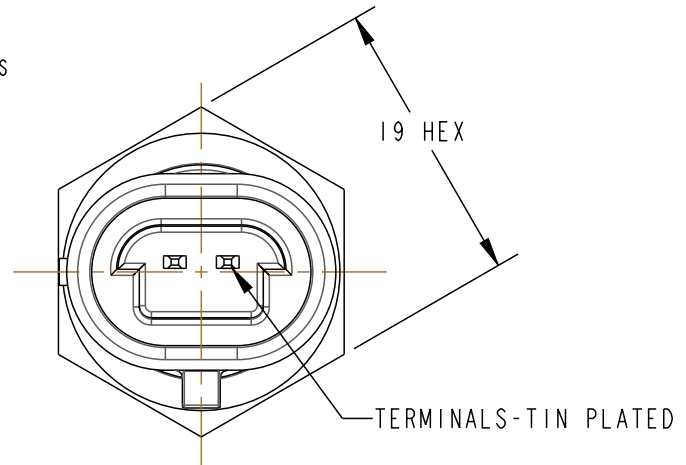
- NOTES:
1. CONTINUOUS OPERATING TEMPERATURE -40°C TO 150°C
 2. CONNECTOR: METRI-PACK 150.2 OR GT150 3.5 mm  MATING APTIV(DEPLHI) NUMBER: 12162193,15336004, OR EQUIVILANT
 3. VOLTAGE: 5V
 4. LOCTITE 503 , 516 OR 517 THREAD SEALANT APPLIED TO THE THREADS

| TEMP (°C) | RESISTANCE (OHMS) | RES TOL (±%) |
|-----------|-------------------|--------------|
| -40 | 100865 | 4.87 |
| 25 | 2795 | 2.50 |
| 50 | 980.3 | 2.27 |
| 85 | 283.5 | 2.00 |
| 125 | 88.3 | 2.75 |
| 128 | 81.7 | 2.77 |
| 150 | 47.5 | 2.90 |

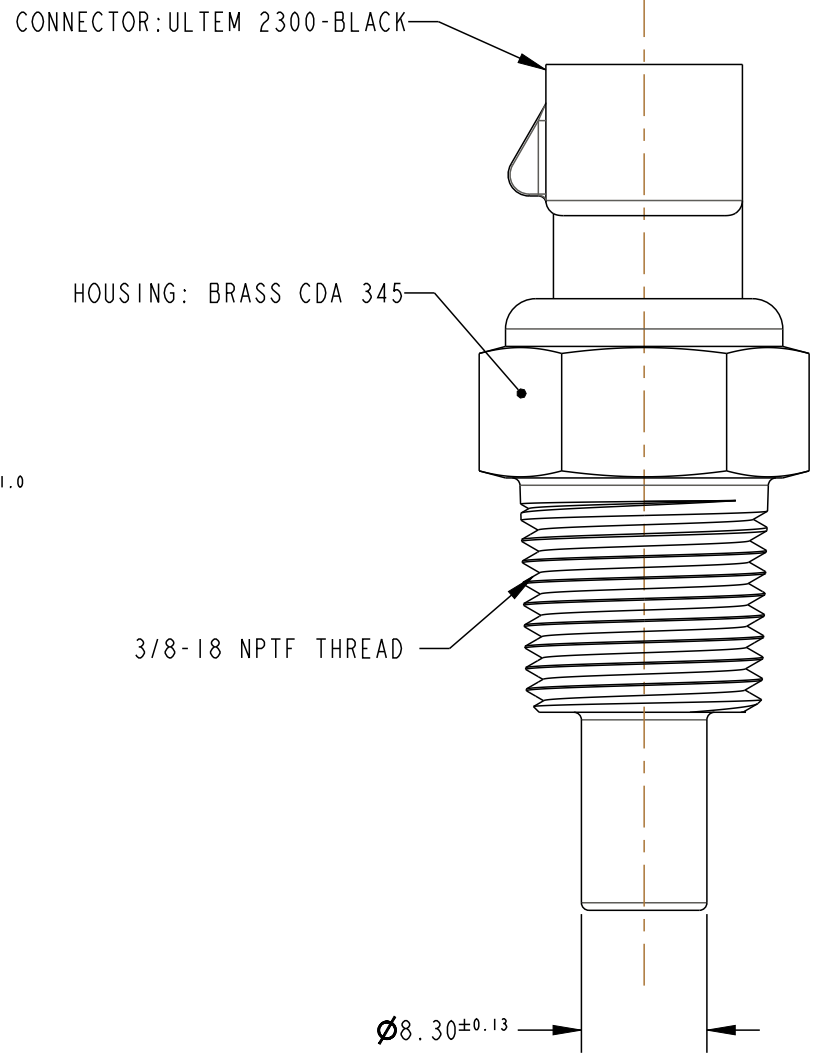
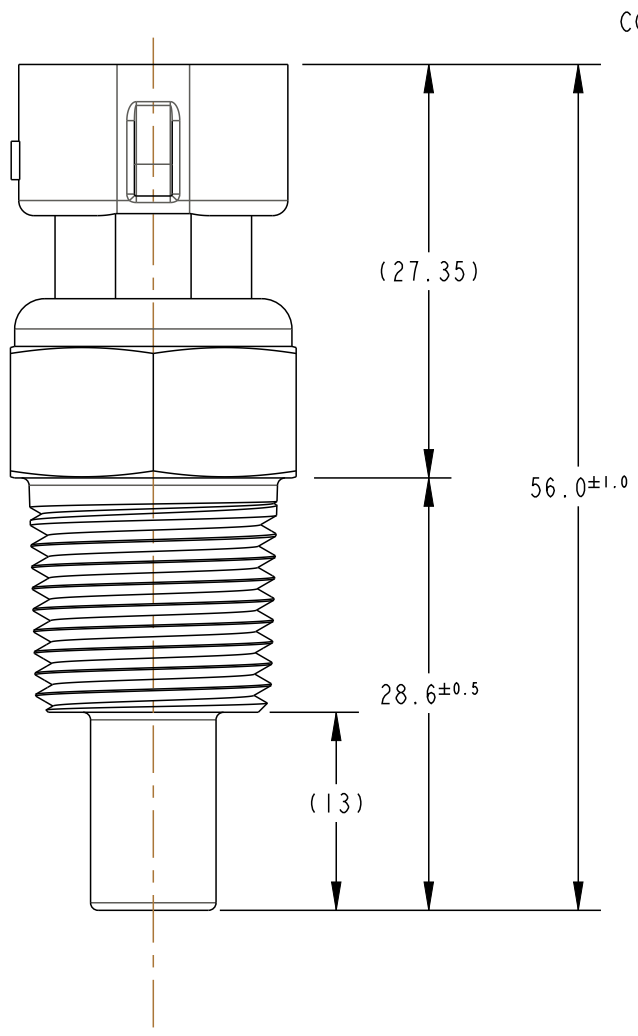
| REVISIONS | | | | |
|-----------|---|----------|-----|------|
| REV | REVISION HISTORY | DATE | DWN | APVD |
| A | INITIAL RELEASE | 6/04/18 | MED | JD |
| B | 85°C WAS 80°C ADDED 128°C ROW | 11/01/18 | MED | JD |
| C | ADDED NOTE # 4 ...THREAD SEALANT | 11/29/18 | MED | JD |
| D | UP-DATED NOTES & RES TBL,28.6+/- .13 WAS 28.60,ULTEM 2300-BLACK WAS NYLON 66 GF 33% | 5/31/19 | MED | STS |



TYPICAL, 25°C CIRCUIT

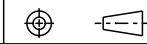


SCALE 1:1



Amphenol
Advanced Sensors St. Marys, PA 15857

TITLE: FLUID TEMPERATURE SENSOR

| | | | |
|--|-----------|---------|----------|
| UNLESS OTHERWISE SPECIFIED DIMENSIONS ARE IN MM TOLERANCES ARE: .X ± 0.5 .XX ± 0.25 | APPROVALS | | DATE |
| | DRAWN | DAM/MED | 06/04/18 |
| THIRD ANGLE PROJECTION  | CHECKED | STS | 06/04/18 |
| | ENGR | JD | 06/04/18 |
| INTERPRET DRAWING IAW ASME Y14.5 | OC | | |
| MATERIAL SEE DRAWING | MFG | | |

DO NOT SCALE DRAWING

SIZE **B** DWG NO. **GE-2158** REV **D**

SCALE 2:1 SHEET 1 OF 1

LEGAL NOTICE - THIS DRAWING AND ANY INTELLECTUAL PROPERTY RIGHTS THERE IN ARE PROPERTY OF AMPHENOL AND NO LICENSES ARE GRANTED UNDER THOSE RIGHTS.

4

3

2

1

Mouser Electronics

Authorized Distributor

Click to View Pricing, Inventory, Delivery & Lifecycle Information:

[Amphenol:](#)

[GE-2158](#)