

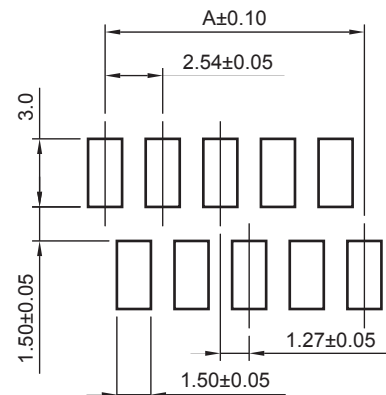
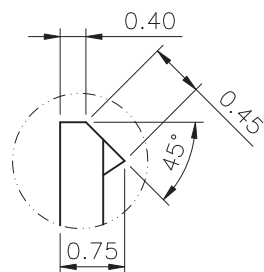
1

2

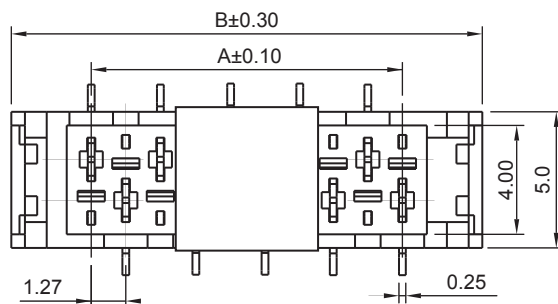
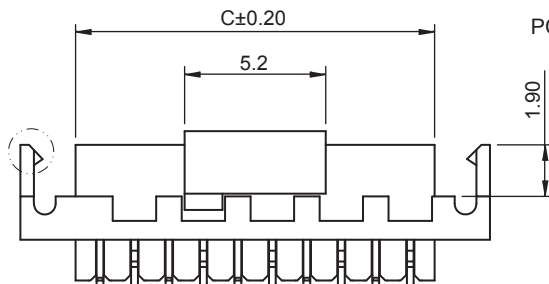
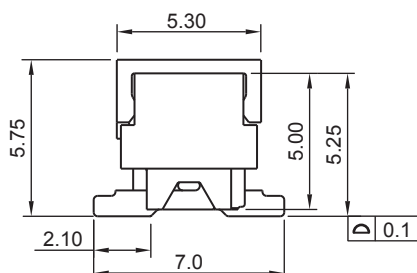
3

4

5



PCB LAYOUT - COMPONENT VIEW



TECHNICAL CHARACTERISTICS

MATERIAL

HOUSING MATERIAL: PA6T

FLAMABILITY RATING: UL94-V0

COLOR: RED

CONTACT MATERIAL: PHOSPHOR BRONZE

CONTACT TYPE: STAMPED

CONTACT PLATING: MATT TIN OVER NICKEL

QUALITY CLASS: 25 MATING CYCLES

PITCH: 2.54 MM PER ROW

ENVIRONMENTAL

OPERATING TEMPERATURE: -40°C UP TO 105°C

COMPLIANCE: LEAD FREE AND ROHS

ELECTRICAL

CURRENT RATING: 1.5 A PER PIN (PCB PIN)

WORKING VOLTAGE: 100 VAC

INSULATION RESISTANCE: >1000 MOHM

DIELECTRIC WITHSTANDING VOLT.: 500 VAC/MN

CONTACT RESISTANCE: 10 mOHM MAX

STANDARD

 CERTIFIED: E323964

SOLDERING

JEDEC LEAD FREE REFLOW SOLDERING

PACKAGING

TAPE & REEL

DIMENSION

A= 1.27 x (Nb PIN - 1)

B= DIM.A + 5.87

C= DIM.A + 1.80

RoHS Compliant

PROJECTION:



GENERAL TOLERANCE

.X = +/- 0.2

.XX = +/- 0.15



APPROVAL: GMo

UNIT: MM

SCALE:

SHEET: 1/3

DRAW: EAGER

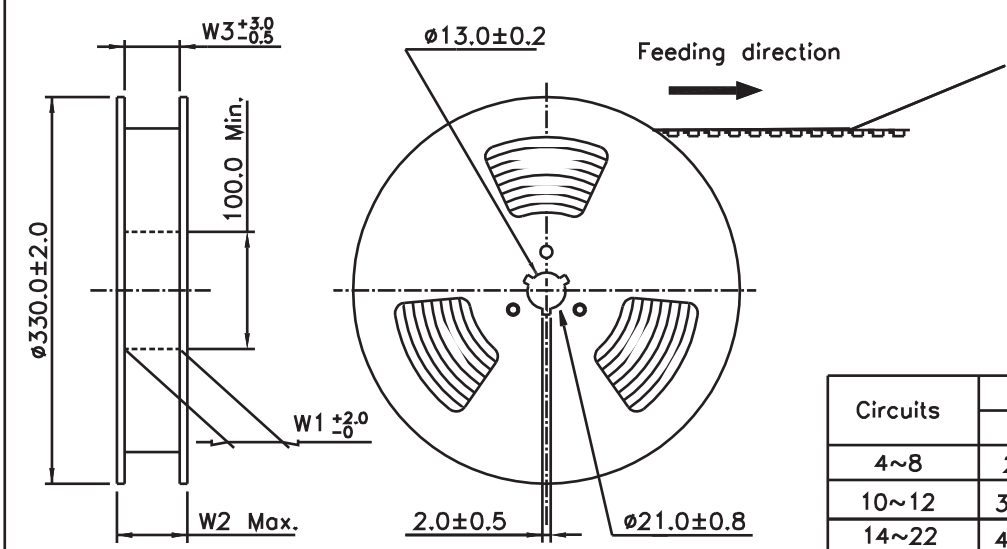
DESCRIPTION: MM FEMALE SMT CONNECTOR WITH LATCH AND POLARIZATION

WERI PART NO: 690 367 29 xx 76

SIZE

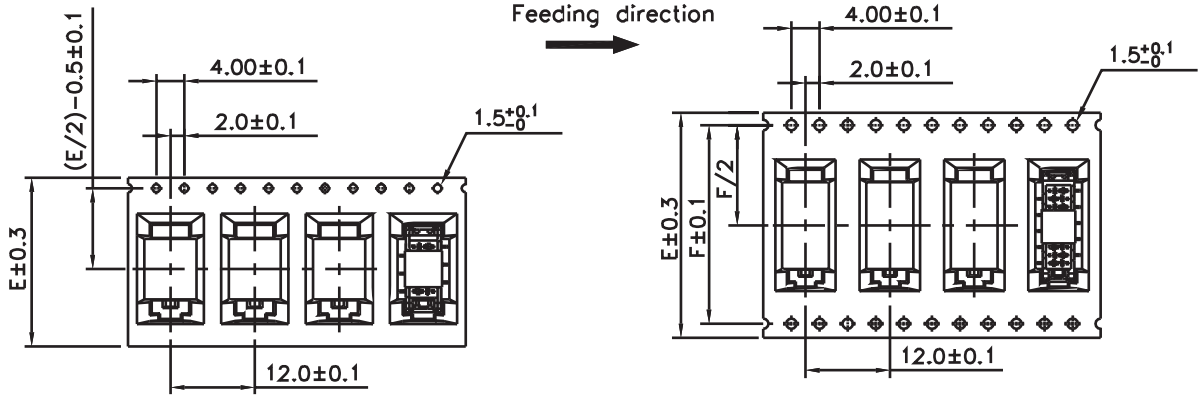
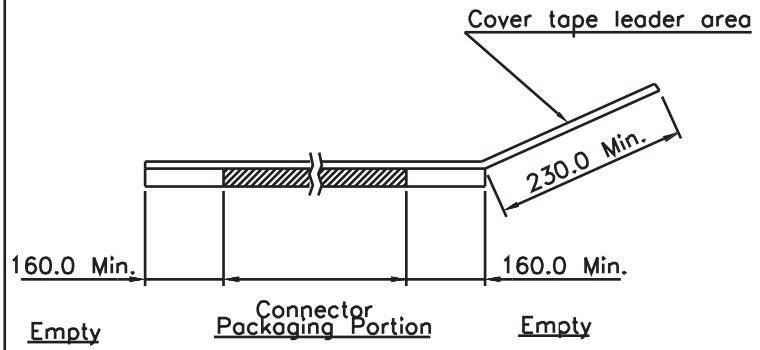
A4

G	29-APR-16	ZOOM BEVEL	AK
E	17-FEB-10	NEW CAP	JP
D	17-NOV-09	DIMENSION	JP
C	10-AUG-09	LATCH SHAPE	CH
B	27-NOV-07	MODIFICATIONS	EC
A	03-NOV-06	PDF	JP
REV	DATE	FILE	BY



- NOTES:
1. 10 sprocket hole pitch cumulative tolerance ± 0.20 mm.
 2. Carrier camber not to exceed 1 mm in 100 mm.
 3. Material :Transparent Anti-static Polysyrene.
 4. All dimensions meet EIA-481-3 requirements.
 5. Thickness : 0.40 ± 0.05 mm.
 6. Packing length per 22" Reel : 30.6 Meters.
 7. Component load per 13" Reel : 800 pcs.

Circuits	Dimension					Packing (Reel/Caton)
	E	F	W1	W2	W3	
4~8	24.0(.945)	-	24.5(.965)	30.5(1.201)	24.5(.965)	9
10~12	32.0(1.260)	28.40(1.118)	32.5(1.280)	38.5(1.516)	32.5(1.280)	7
14~22	44.0(1.732)	40.40(1.596)	44.5(1.752)	50.5(1.988)	44.5(1.752)	5
24~26	56.0(2.205)	52.40(2.063)	56.5(2.224)	62.5(2.461)	56.5(2.224)	4

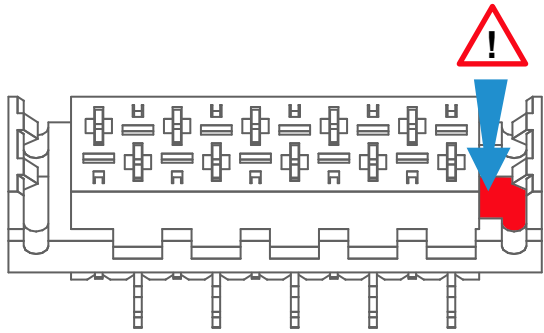


For With Latch Type
WIDTH : 24 mm Carrier

For With Latch Type
WIDTH : 32.44.56 mm Carrier

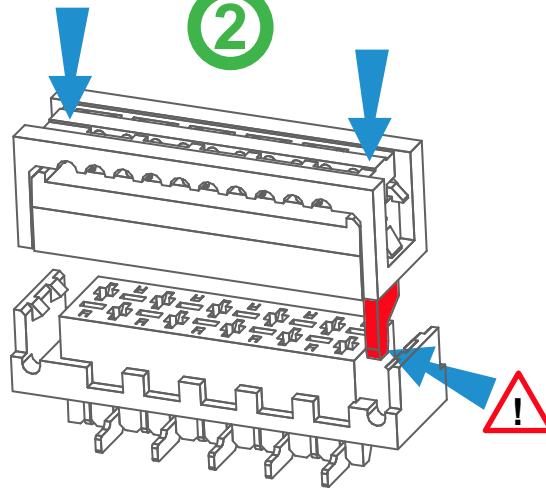
RoHS Compliant				PROJECTION: 	GENERAL TOLERANCE .X = ± 0.2 .XX = ± 0.15		DESCRIPTION: MM FEMALE SMT CONNECTOR WITH LATCH AND POLARIZATION WERI PART NO: 690 367 29 xx 76	SIZE A4
G								
F								
E								
D								
C				APPROVAL: Gmo	UNIT: MM	DESCRIPTION: MM FEMALE SMT CONNECTOR WITH LATCH AND POLARIZATION WERI PART NO: 690 367 29 xx 76	SIZE A4	
B					SCALE:			
A					SHEET: 2/3			
REV	DATE	FILE	BY		DRAW: EAGER			

1



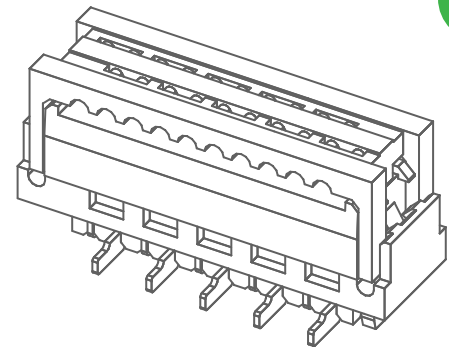
Insert through polarization

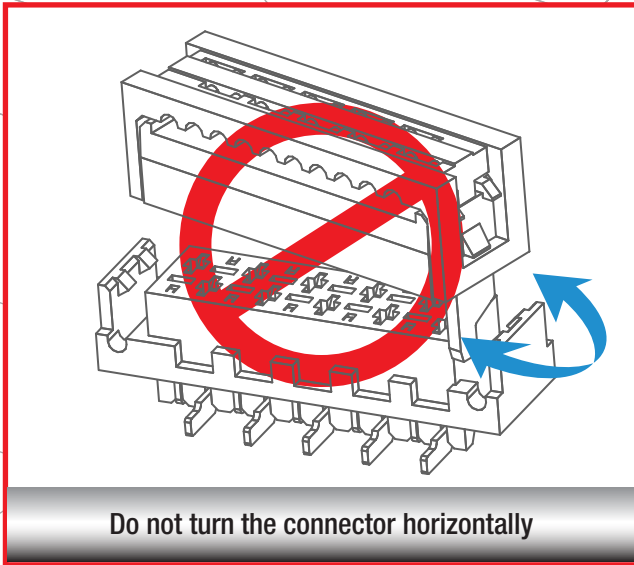
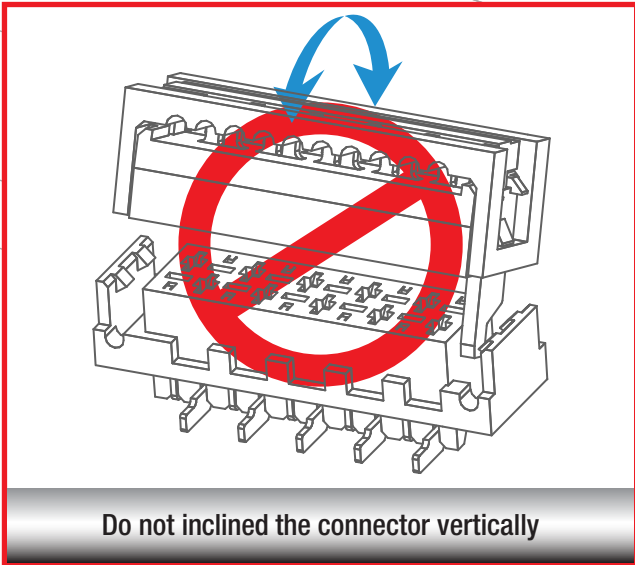
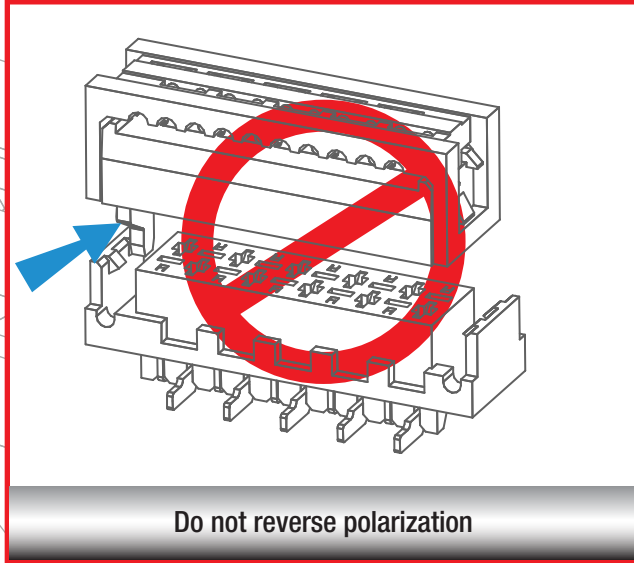
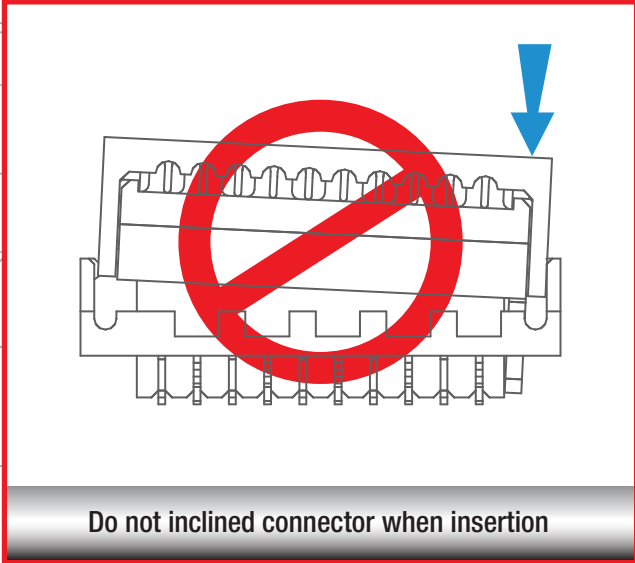
2



Press both ends of the connector at the same time

3





Mouser Electronics

Authorized Distributor

Click to View Pricing, Inventory, Delivery & Lifecycle Information:

[Wurth Elektronik:](#)

[690367291876](#)