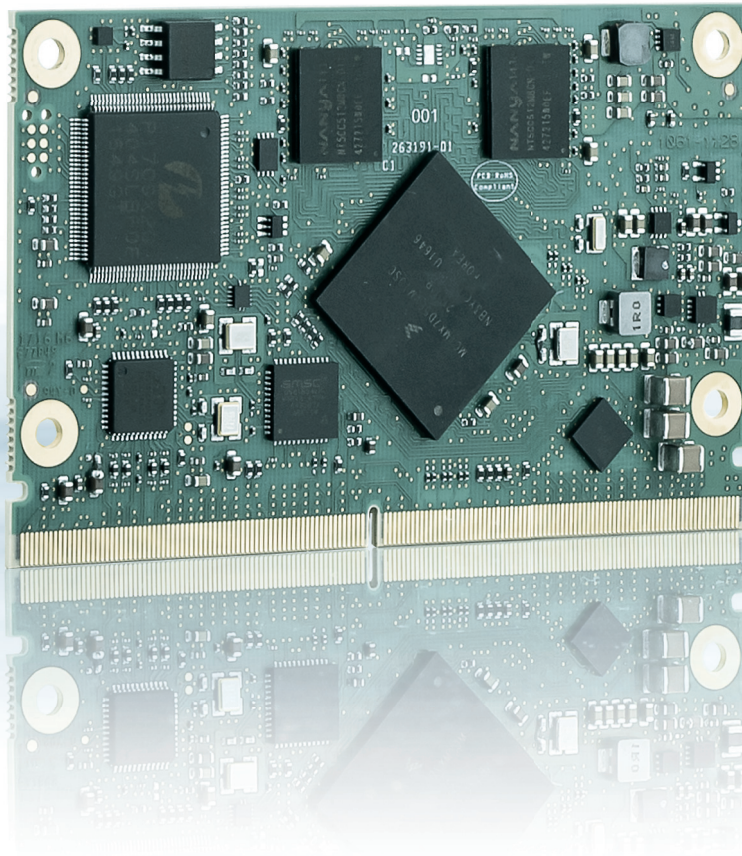


# SMARC-sAMX7

---



## SMARC MODULE WITH EXTREM LOW POWER i.MX7 SERIES PROCESSOR

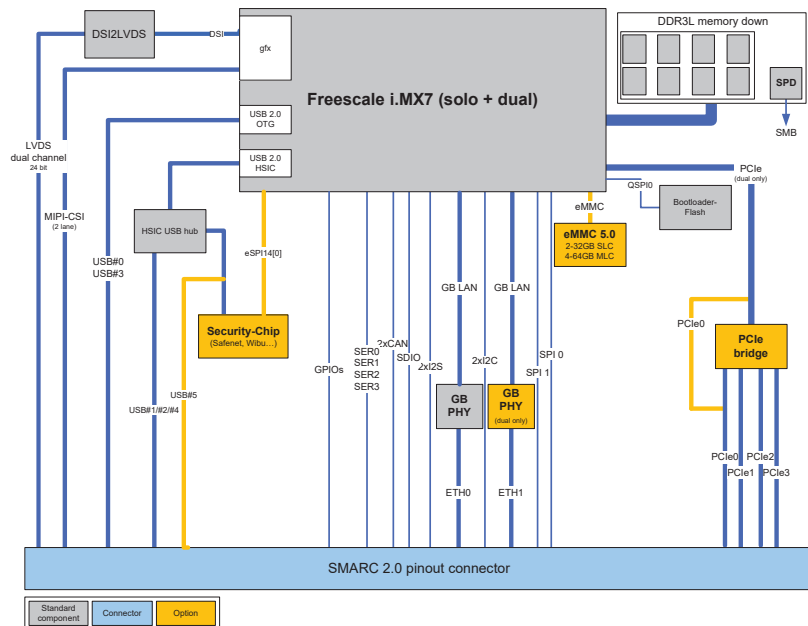
- ▶ Up to 2x 1 GHz Cortex® A7 + 200 MHz M4 processor
- ▶ Up to 2 GByte RAM
- ▶ Dual channel LVDS interface
- ▶ Up to 2x GByte Ethernet, 3x PCIe, 4x USB 2.0
- ▶ support of Kontron's Embedded Security Solution (Aprotect)

POSSIBILITIES START HERE



## TECHNICAL INFORMATION

COMPLIANCE	SMARC 2.0
DIMENSIONS (H X W X D)	82 x 50 mm
CPU	Qualcom®/NXP single/dual i.MX7 processor
MAIN MEMORY	Up to 2 GByte DDR3
ETHERNET	up to 2x 10/100/1000 MBit Ethernet
STORAGE	1x SDIO
FLASH ONBOARD	2-64 GByte eMMC 5.0
PCI EXPRESS® SUPPORT	1x PCIe with dual core processor up to 3x PCIe (on request)
PANEL SIGNAL	1x LVDS dual channel
USB	up to 5x USB 2.0
SERIAL	4x serial interfaces (2x RX / TX only)
OTHERS	I2S, 4x I2C, 2xSPI, MIPI CSI, 12x GPIO
SPECIAL FEATURES	Security Chip (Support of Kontron Approtect) on request
FEATURES ON REQUEST	eDP instead of LVDS, DP instead of HDMI
BOOT LOADER	Uboot
OPERATING SYSTEM	Yocto Linux
POWER SUPPLY	3 V – 5.25 V operates directly from single level Lithium Ion cells or fixed 3.3 V – 5 V power supplies
TEMPERATURE	Operating: extended consumer -20 °C to + 85 °C Non-Operating: -30 °C to +85 °C
HUMIDITY	93 % relative Humidity at 40 °C, non-condensing (according to IEC 60068-2-78)



## CORPORATE OFFICES

### EUROPE, MIDDLE EAST & AFRICA

Lise-Meitner-Str. 3-5  
86156 Augsburg  
Germany  
Tel.: + 49 821 4086 0  
Fax: + 49 821 4086 111  
info@kontron.com

### NORTH AMERICA

14118 Stowe Drive  
Poway, CA 92064-7147  
USA  
Tel.: + 1 888 294 4558  
Fax: + 1 858 677 0898  
info@us.kontron.com

### ASIA PACIFIC

1-2F, 10 Building, No. 8 Liangshuihe 2nd Street,  
Economical & Technological Development Zone,  
Beijing, 100176, P.R.China  
Tel.: +86 10 63751188  
Fax: +86 10 83682438  
info@kontron.cn

# Mouser Electronics

Authorized Distributor

Click to View Pricing, Inventory, Delivery & Lifecycle Information:

[Kontron:](#)

[51009-0104-08-1](#) [51009-0208-10-2](#)