

NOTES:

1. MATERIALS AND FINISHES:
 BODY, WASHER & SHELL - BRASS, SILVER PLATING
 CONTACT - BRASS, GOLD PLATING
 INSULATOR - PTFE, NATURAL
 SPRING - BeCu, NICKEL PLATING
 GASKET - SILICONE RUBBER, RED
 FERRULE - COPPER, SILVER PLATING

2. ELECTRICAL:
 A. IMPEDANCE: 50 OHM
 B. FREQUENCY RANGE: DC - 4 GHz

3. MECHANICAL:
 A. DURABILITY: 500 CYCLES MIN.
 B. TEMPERATURE RANGE: -65°C TO +165°C

4. PACKAGING:
 A. QUANTITY: SINGLE PACK
 B. MARKING: BAG TO BE MARKED
 "AMPHENOL RF, 31-4326, AND DATE CODE"

5. CABLE ASSEMBLY INSTRUCTIONS:
 A. TRIM CABLE AS SHOWN.
 B. SLIDE FERRULE ONTO THE CABLE.
 C. INSERT CABLE CENTER CONDUCTOR TO CONTACT.
 D. SOLDER CABLE CENTER CONDUCTOR TO CENTER CONTACT.
 E. WHEN CRIMPING CONTACT TO CABLE, CRIMP WITH AMPHENOL TOOL 227-944 (M22520/5-01) AND DIE SET 227-1221-11 CAVITY 'B' (M22520/5-11, CLOSURE "B" (0.068" HEX)).
 F. INSERT CABLE INTO CONNECTOR WITH BRAID OVER KNURL UNTIL IT BOTTOMS.
 G. CRIMP WITH AMPHENOL TOOL 227-944 (M22520/5-01) AND DIE SET 227-1221-11, CAVITY 'A' (M22520/5-11, CLOSURE 'A') (0.213" HEX).

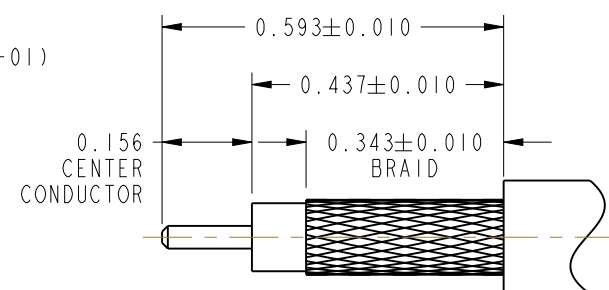
6. HEAT SHRINK TUBING SUPPLIED ON REQUEST ONLY (68180-1).

 SHOWS CABLE ENTRY DIMENSIONS

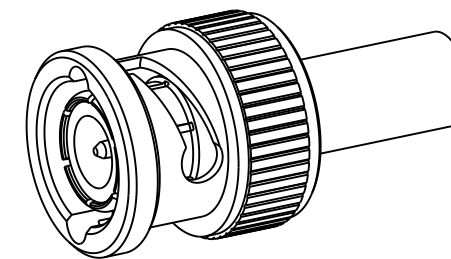
THIRD ANGLE PROJ. 

REVISIONS

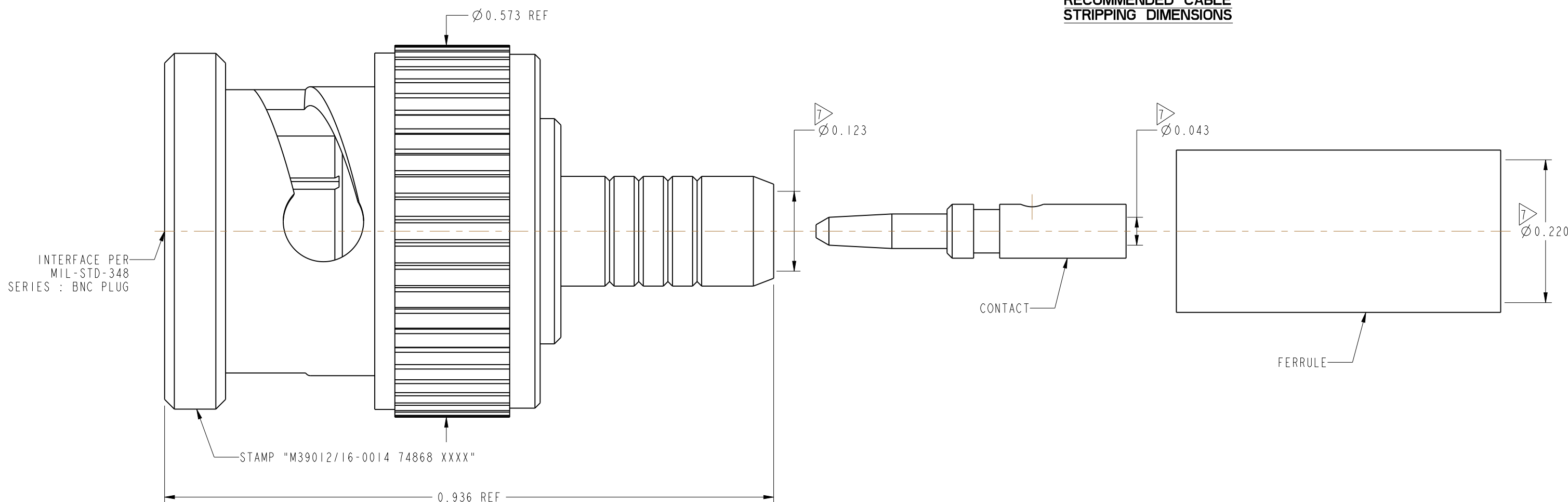
REV	DESCRIPTION	DATE	ECO	APPR
--	RELEASE TO MFG.	--	--	--
P	SEE SHEET 1	06-Mar-13	49452	CPM
R	FORMAT UPDATED	09-May-16	00562	AAP
T	INSULATOR UPDATED	6/1/16	00883	MR



RECOMMENDED CABLE STRIPPING DIMENSIONS



SCALE 2.000



THIS CONNECTOR IS COVERED BY U.S. PATENT 3,336,563

MIL-C-39012 INSPECTION

CUSTOMER OUTLINE DRAWING

ALL OTHER SHEETS ARE FOR INTERNAL USE ONLY

UNLESS OTHERWISE SPECIFIED, DIMENSIONS ARE IN INCHES AND TOLERANCES ARE: 2 PLACE DECIMAL ±.015 (0,381 mm) 3 PLACE DECIMAL ±.005 (0,127 mm) ANGLES ± 1°	MATERIAL	DRAWN	DATE	TITLE BNC STR PLUG MIL-CRIMP (CATEGORY C) FOR RG 55, 142 & 223 CABLE	Amphenol RF www.amphenolrf.com	
	SEE NOTES	KARTHIK R	01-Jun-11			
NOTICE - These drawings, specifications, or other data (1) are, and remain the property of Amphenol corp. (2) must be returned upon request; and (3) are confidential and not to be disclosed to any person other than those to whom they are given by Amphenol Corp. the furnishing of these drawings, specifications, or other data by Amphenol Corp., or to any other person to anyone for any purpose is not to be regarded by implication or otherwise in any manner licensing, granting rights to permitting such holder or any other person to manufacture, use or sell any product, process or design, patented or otherwise, that may in any way be related to or disclosed by said drawings, specifications, or other data.	REFERENCE	ENGINEER	DATE	SCALE: 6.5:1.0	SHEET 2 OF 2	
	MIL-C-39012/16-0014	D.ROYCE	01-Jun-11	APPROVED	DWG SIZE B	REV T
	CONFIGURATION LEVEL: In Work	K. CAPOZZI	6/1/16	CAD FILE		
FINISH					ITEM NO.31-4326	
					PART NO.31-4326	

Mouser Electronics

Authorized Distributor

Click to View Pricing, Inventory, Delivery & Lifecycle Information:

[Amphenol:](#)

[031-4326](#)