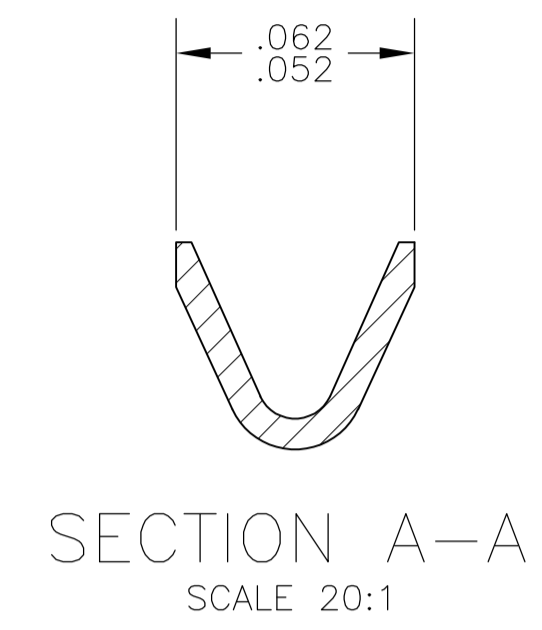
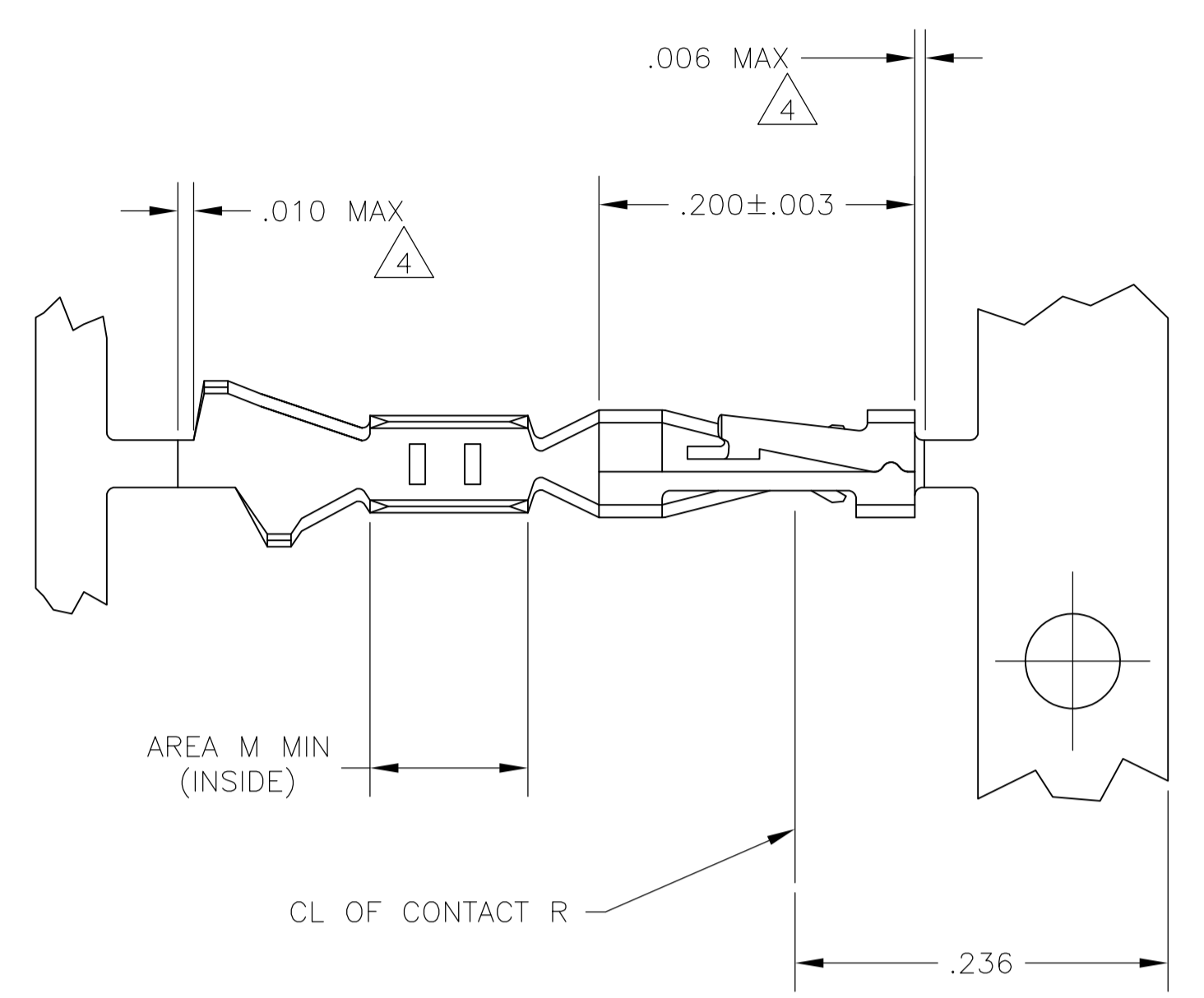
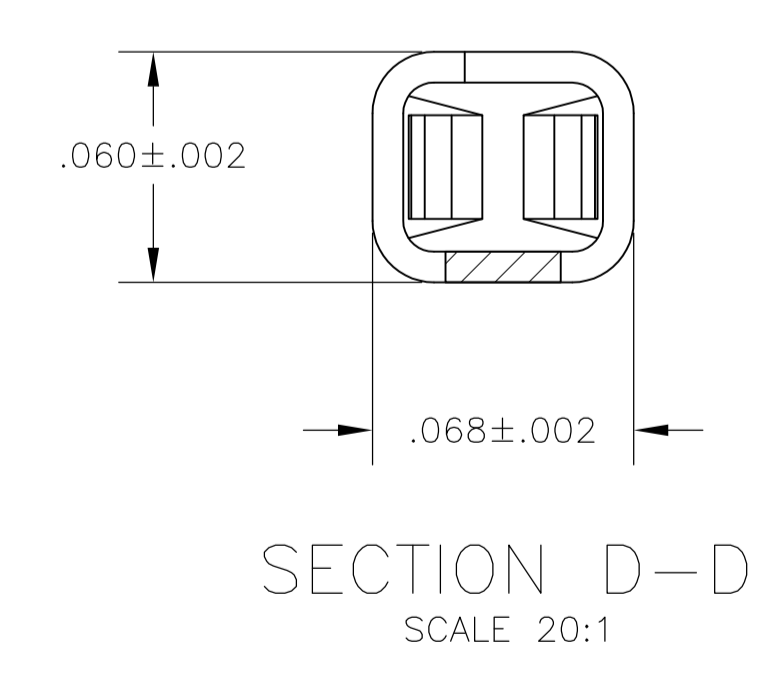
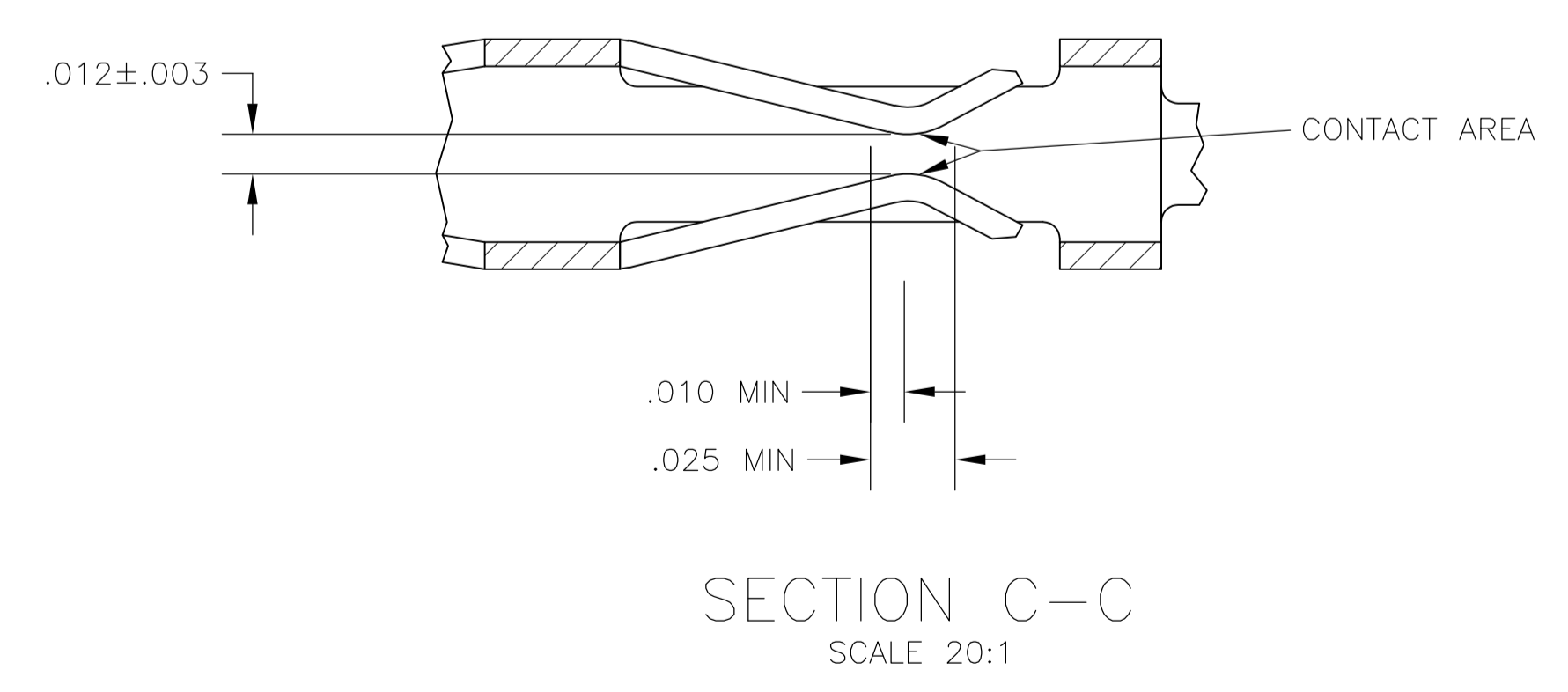
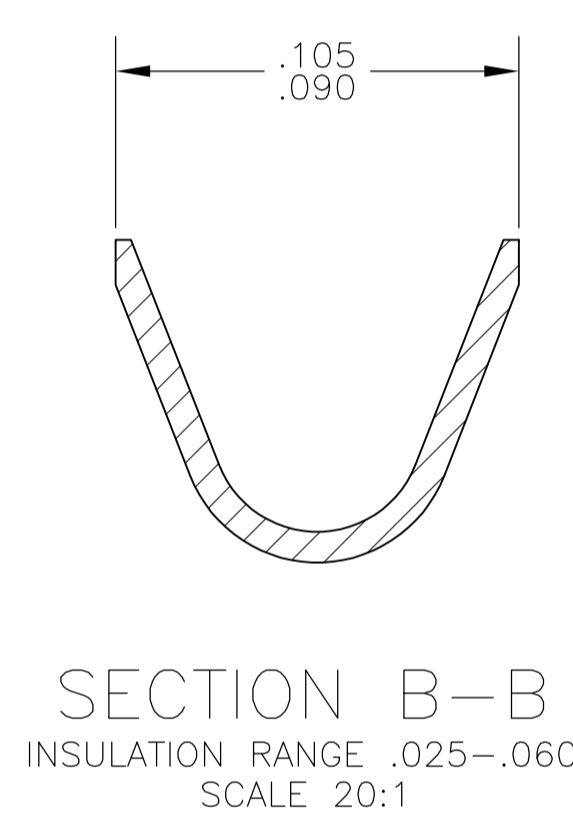
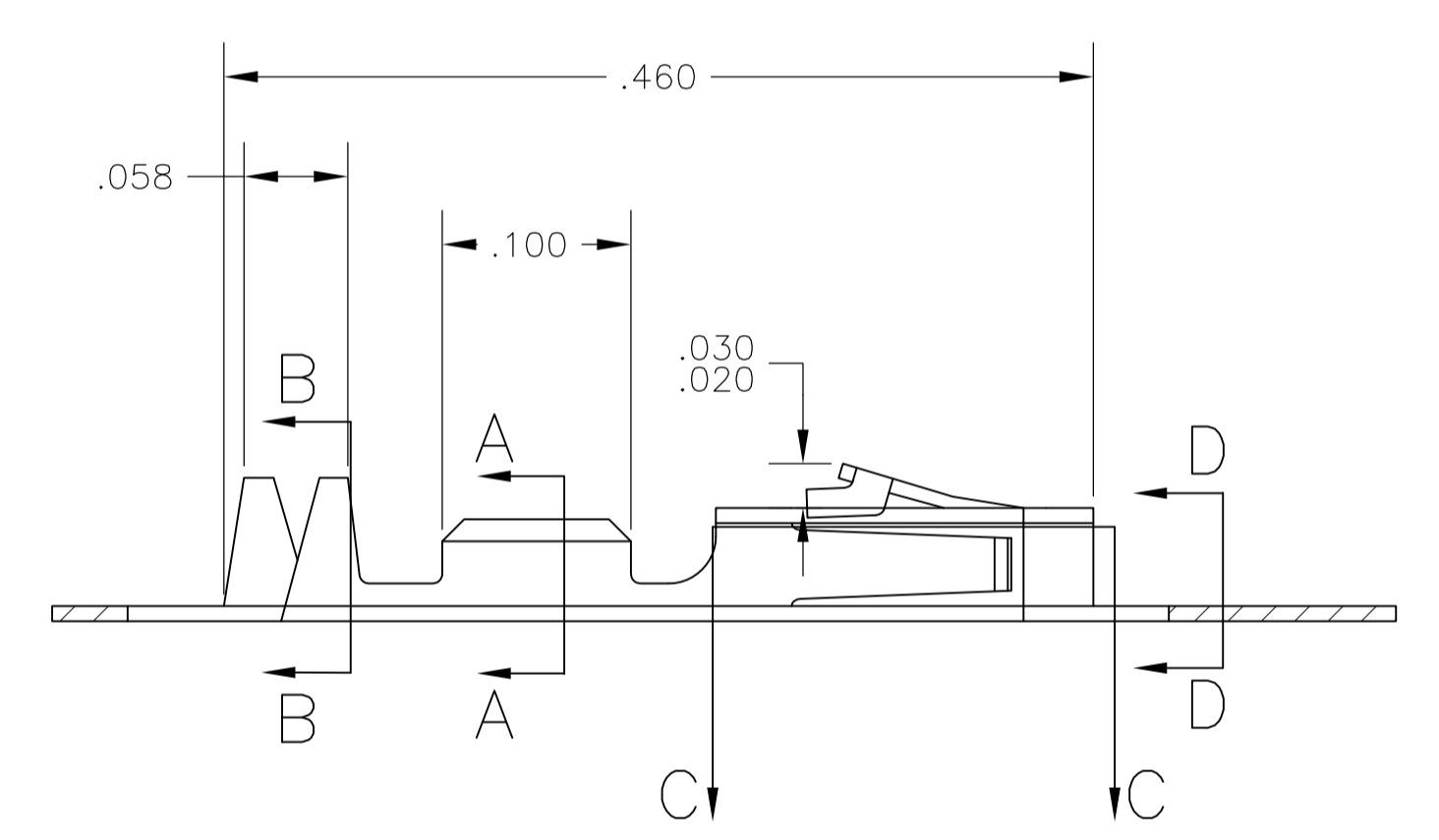


LOC		DIST		REVISIONS			
AD	00	REV	DATE	DESCRIPTION	DATE	DWN	APVD
N1		REVISED PER	ECO-11-004587		11MAR11	RK	HMR



- ① .000100 MIN BRIGHT TIN-LEAD OVER .000050 MIN NICKEL ON ENTIRE CONTACT
- ② .000050 MIN NICKEL ON ENTIRE CONTACT; .000015 MIN GOLD ON CONTACT AREA; .000050 MIN BRIGHT TIN-LEAD ON AREA M.
- ③ .000050 MIN NICKEL ON ENTIRE CONTACT; .000030 MIN GOLD ON CONTACT AREA; .000050 MIN BRIGHT TIN-LEAD ON AREA M.
- ④ LOOSE PIECE CUT-OFF DIMENSION.
- ⑤ .000015 MIN GOLD ON CONTACT AREA, .000050 MIN TIN ON AREA M, ALL OVER .000050 MIN NICKEL ON ENTIRE CONTACT.
- ⑥ .000030 MIN GOLD ON CONTACT AREA, .000050 MIN TIN ON AREA M, ALL OVER .000050 MIN NICKEL ON ENTIRE CONTACT.
- ⑧ .000100 MIN TIN OVER .000050 MIN NICKEL ON ENTIRE CONTACT



REMARKS	FINISH	PART NO
LOOSE PIECE STRIP	⑧ REF	5-104481-6
LOOSE PIECE STRIP	⑥ REF	5-104481-2
LOOSE PIECE STRIP	⑥ REF	1-104481-3
LOOSE PIECE STRIP	⑤ REF	1-104481-2
LOOSE PIECE STRIP	⑥ REF	1-104481-1
LOOSE PIECE STRIP	⑤ REF	1-104481-0
<b>OBsolete</b> LOOSE PIECE		104481-9
<b>OBsolete</b> LOOSE PIECE	③ REF	104481-8
<b>OBsolete</b> LOOSE PIECE	② REF	104481-7
<b>OBsolete</b> LOOSE PIECE	① REF	104481-6
<b>OBsolete</b> STRIP		104481-5
<b>OBsolete</b> STRIP	③	104481-4
<b>OBsolete</b> STRIP	②	104481-3
<b>OBsolete</b> STRIP	①	104481-2

THIS DRAWING IS A CONTROLLED DOCUMENT.

DIMENSIONS: INCHES	TOLERANCES UNLESS OTHERWISE SPECIFIED:	DWN: C. OBERMAN 5-10-89	CHK: K. HELM 5-12-89	APVD: R. ELICKER 5-12-89	NAME: CONTACT, CRIMP SNAP-IN AMPMODU SHORT POINT, 28-32 AWG
0 PLC ± -	1 PLC ± -	2 PLC ± -	3 PLC ± .005	4 PLC ± -	ANGLES ± -
MATERIAL: PHOSPHOR BRONZE	FINISH: SEE TABLE	WEIGHT: -	SIZE: A1	CAGE CODE: 00779	DRAWING NO: 104481
CUSTOMER DRAWING			SCALE: 10:1	SHEET: 1 OF 1	REV: N1

**STE** TE Connectivity

# Mouser Electronics

Authorized Distributor

Click to View Pricing, Inventory, Delivery & Lifecycle Information:

[TE Connectivity:](#)

[1-104481-0 \(Cut Strip\)](#) [1-104481-0 \(Mouser Reel\)](#) [1-104481-1 \(Mouser Reel\)](#) [1-104481-1 \(Cut Strip\)](#)