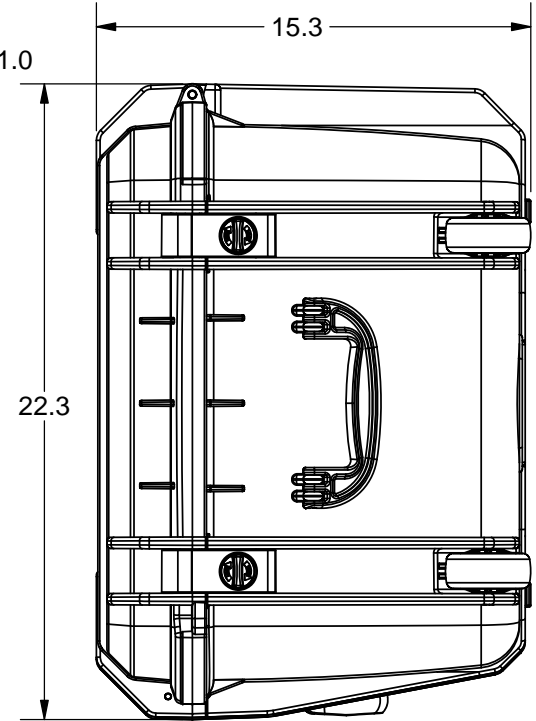
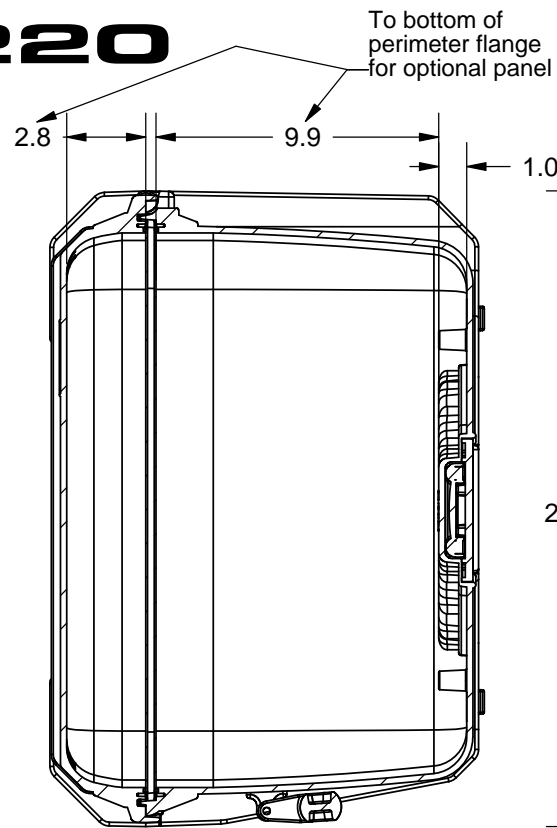
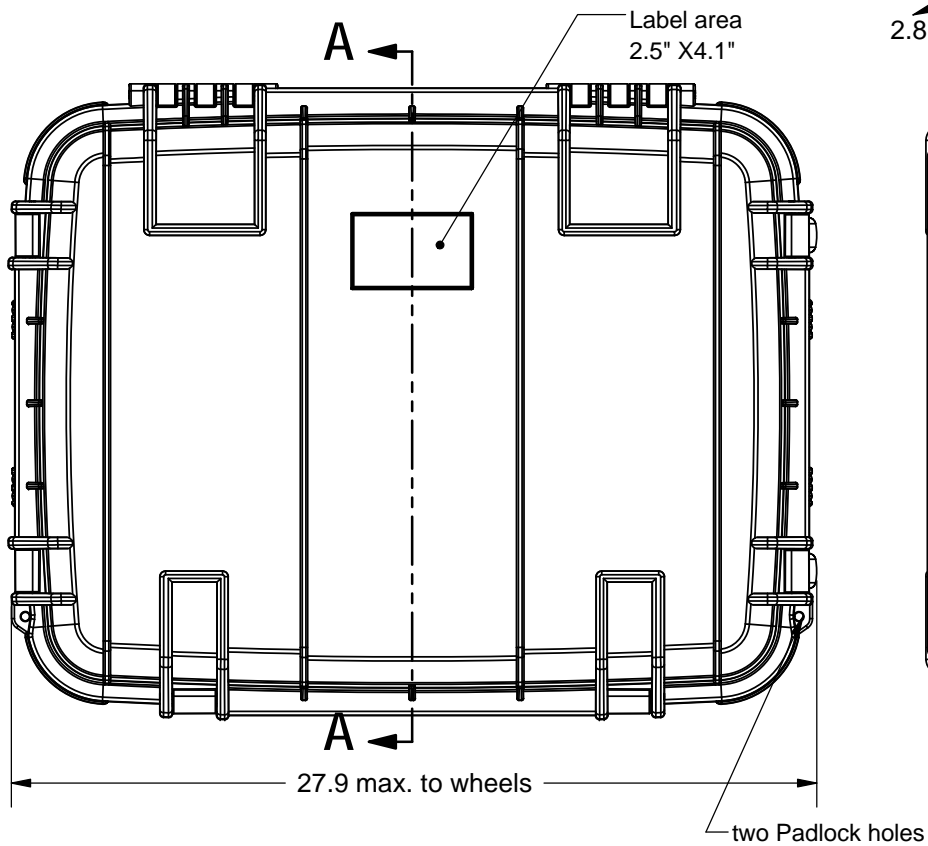
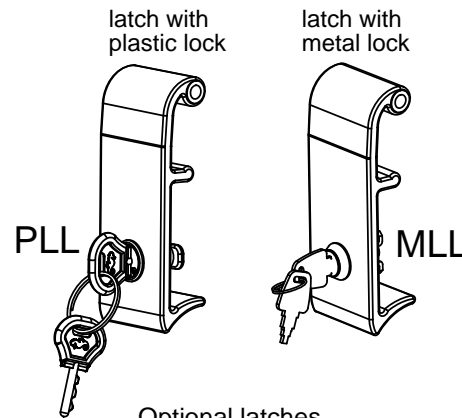
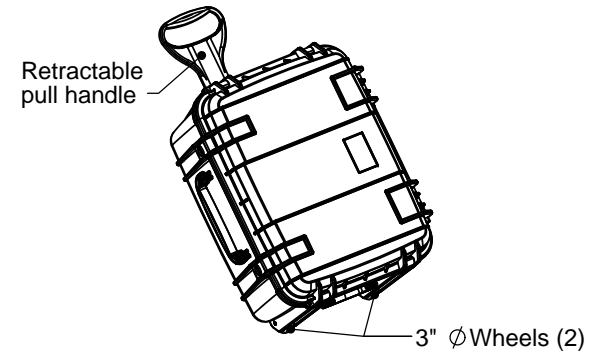
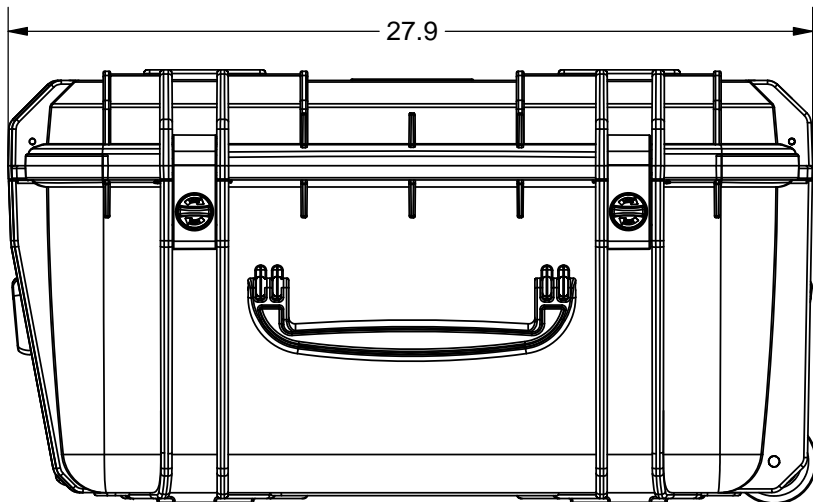


SERPAC SE1220

Electronic Enclosures



SECTION A-A



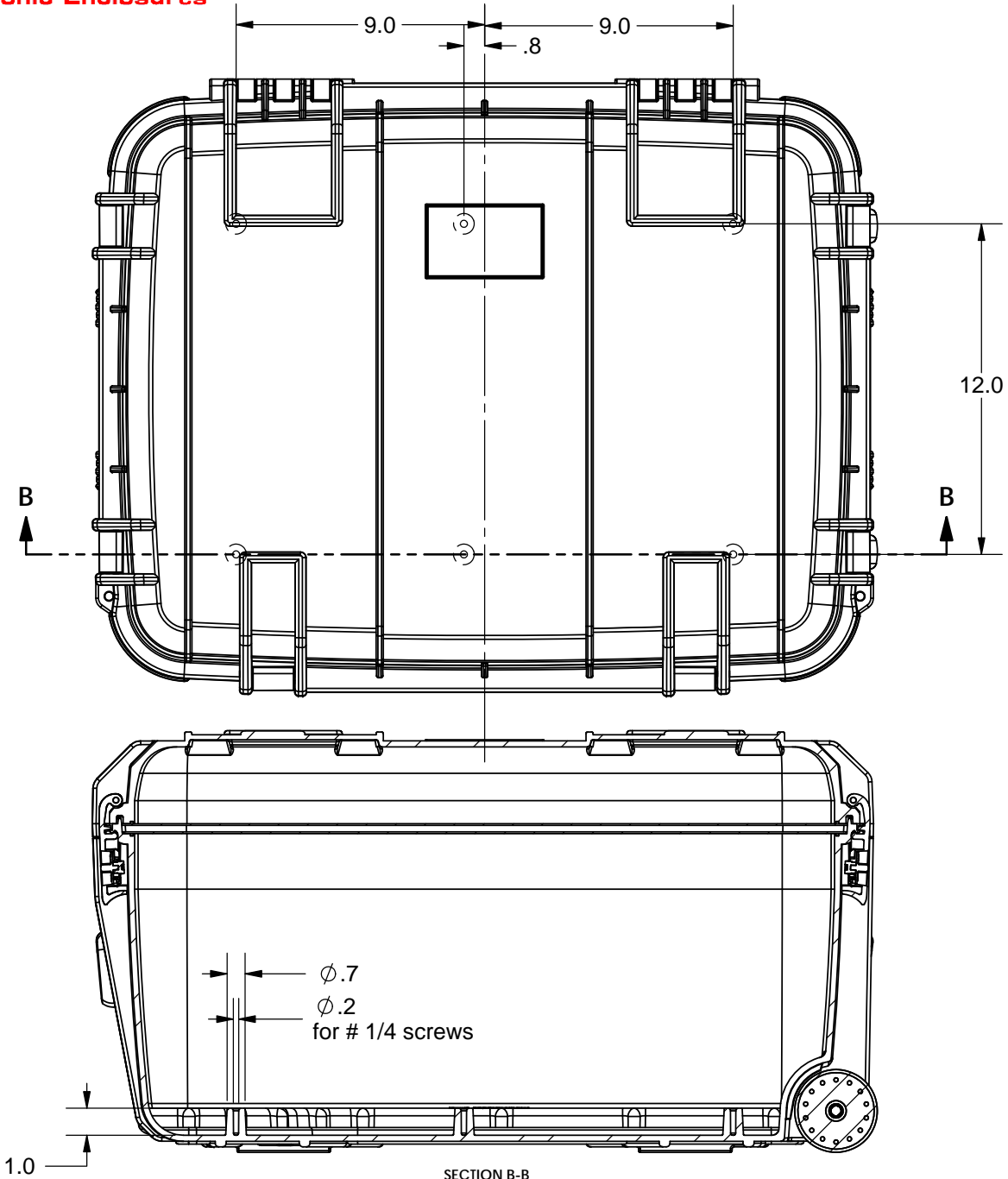
Optional latches must be specified at time of order. See note 2

NOTES:

- 1) Max. usable inside dimensions are:
25 11/16" X 19 1/2" X 13 1/8" (13 7/8" bottom of step)
 (25.7" X 19.5" X 13.1")
- 2) With Metal Lock Latches p/n SE1220ML and Plastic Lock Latches p/n SE1220PL are optional.

SERPAC SE 1220

Electronic Enclosures



SECTION B-B
SCALE 1 : 6

Mouser Electronics

Authorized Distributor

Click to View Pricing, Inventory, Delivery & Lifecycle Information:

[SERPAC:](#)

[SE1220F,BK](#) [SE1220F,YL](#) [SE1220F,GM](#) [SE1220F,OR](#)