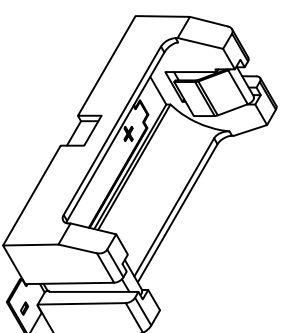
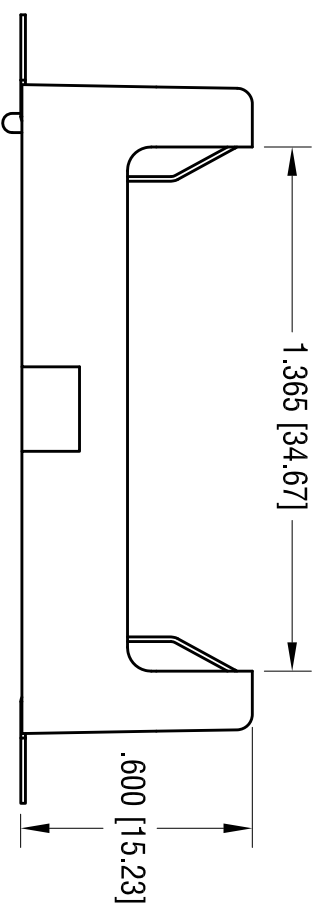
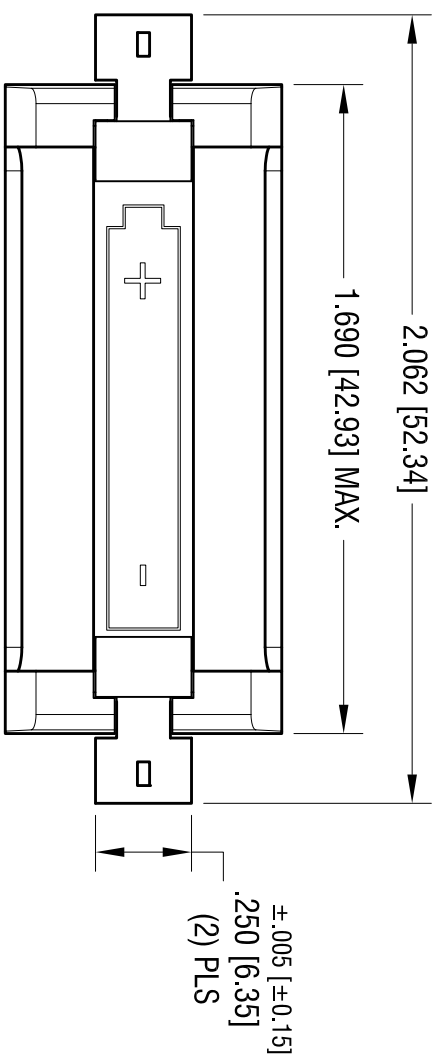
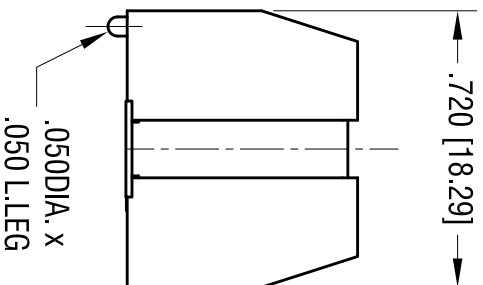
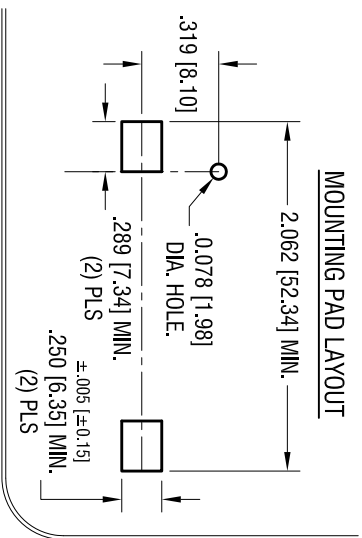


DATE	DESCRIPTION	REV.
2.17.10	CHANGE AS PER ECN 10-014	A
10.08.13	CHANGE AS PER ECN 13-090	B
12.31.14	CHANGE AS PER ECN 14-131	C



- NOTE:
1. BASE:  
MATL: HEAT RESISTANCE NYLON  
STANYL 46 OR EQUIVALENT
  2. CONTACT:  
MATL: .012 [0.30] THK STAINLESS STEEL  
FINISH: GOLD FLASH, OVER NICKEL PLATE.

<b>KEYSTONE ELECTRONICS CORP.</b>			
www.keyelco.com • ASTORIA, N.Y. 11105-2017 • Tel (718) 956-8900			
PART NAME SM BATTERY HOLDER, 2/3 A			
MATERIAL AS NOTED			
FINISH AS NOTED			
TOLERANCES	INCH	[MM]	CODE
DECIMAL	± .010	[±	C
ANGULAR	± 1°	]	
DRN BY NT		DATE 12.09.09	
APPD LN		SCALE 2X	
		DWG NO. 1018	

THIS DOCUMENT IS THE PROPERTY OF KEYSTONE ELECTRONICS CORP. AND SHALL NOT BE REPRODUCED, DISTRIBUTED OR USED AS A BASIS FOR MANUFACTURE WITHOUT PRIOR WRITTEN PERMISSION FROM KEYSTONE ELECTRONICS CORP.

# Mouser Electronics

Authorized Distributor

Click to View Pricing, Inventory, Delivery & Lifecycle Information:

[Keystone Electronics:](#)

[1018](#)