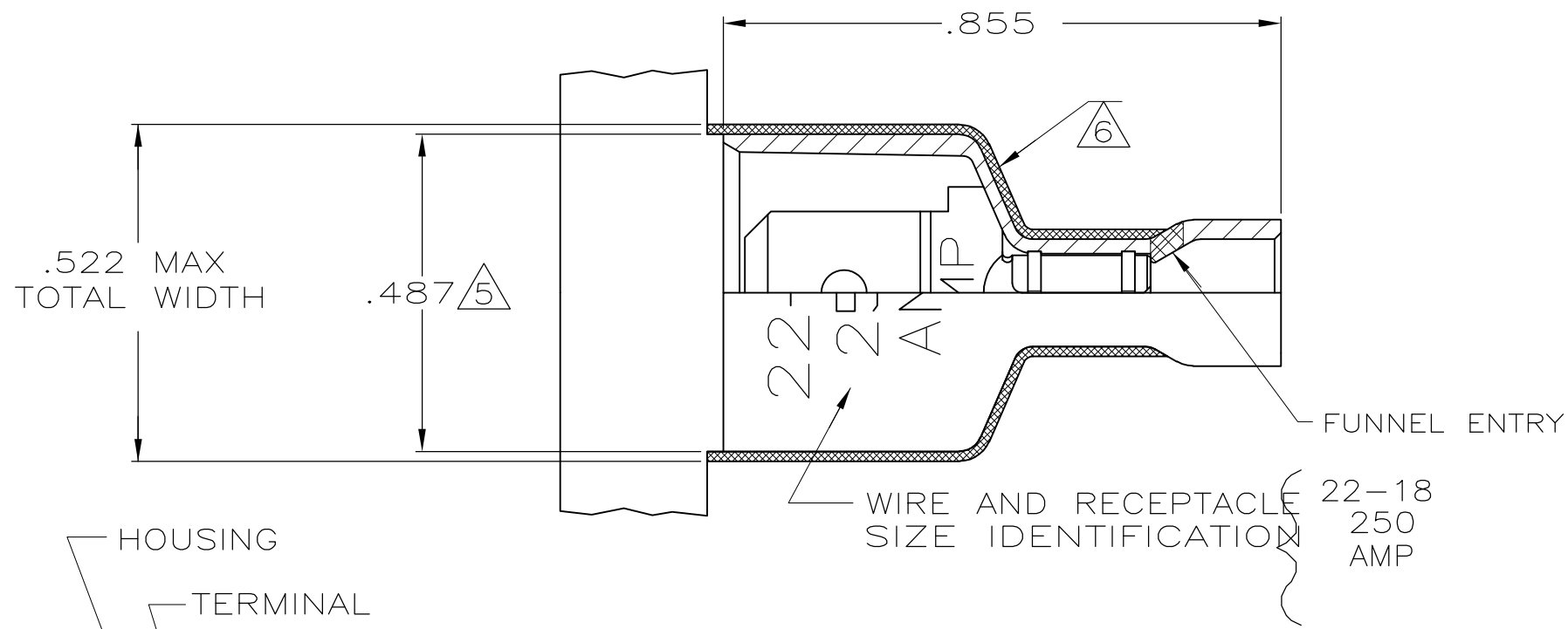
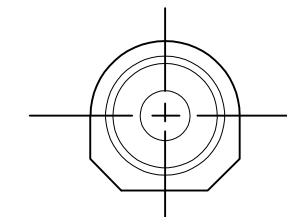
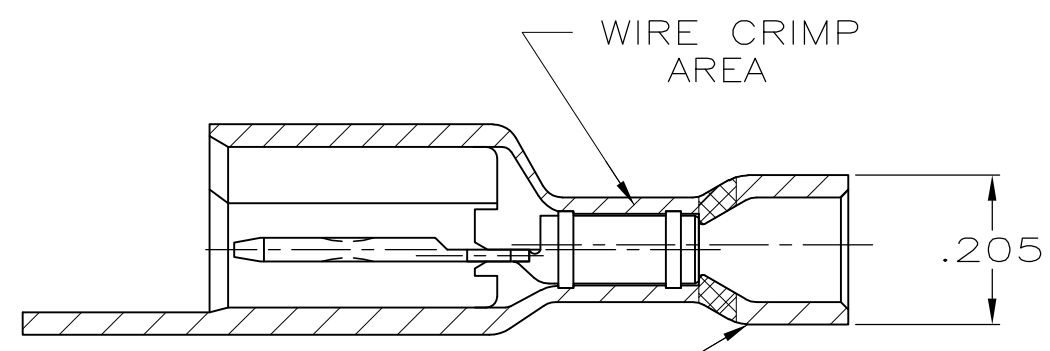
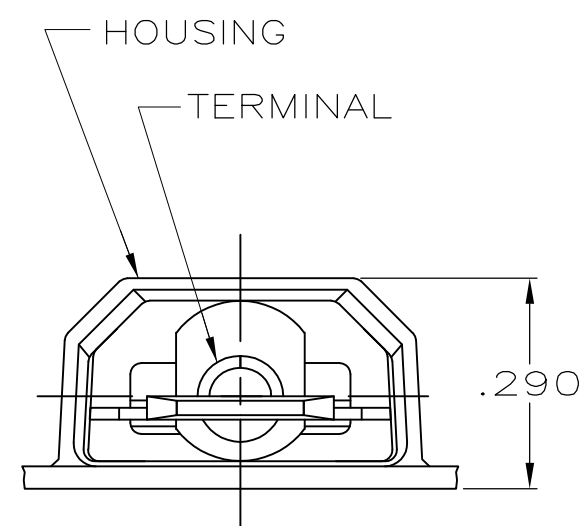


THIS DRAWING IS UNPUBLISHED. RELEASED FOR PUBLICATION ,19  
 © COPYRIGHT 19 BY AMP INCORPORATED. ALL INTERNATIONAL RIGHTS RESERVED.

LOC	DIST	P	F	ZONE	LTR	DESCRIPTION	DATE	APPD
AF	50				F1	REVISED PER ECO-10-000443	13JAN10	KK/AEG
					F	REV PER 0G3A-0392-03	27JUN03	JR/JH




- 1 TAB DIMENSIONS .032±.001x.250
- 2 WIRE STRIP LENGTH .281
- 3 INSULATION SIZE .060-.135 DIA
- 4 CONTINUOUS STRIP ON REELS
- 5 DIMENSION DOES NOT INCLUDE TRIM BURR
- 6 .015 MAX CARRIER TRIM BURR PER SIDE IS ALLOWABLE IN THE SHADED AREA
- 7 OBSOLETE PARTS: OBSOLETE CIS STREAMLINING PER D.RENAUD/D.SINISI



INSULATION CRIMP AREA

7 OBSOLETE

HOUSING: NYLON, COLOR-RED TRANSLUCENT	2-521055-2
TAB: #3 HARD BRASS, TIN .000080 MIN	
HOUSING: NYLON, COLOR-RED TRANSLUCENT	<del>2-521055-1</del>
TAB: #3 HARD BRASS, UNPLATED	

MATERIAL & FINISH		PART NO	
DO NOT SCALE PRINT. UNLESS SPECIFIED DIMENSIONS IN INCHES TOLERANCES ON:	DR 3/14/94 JR RUTH	 AMP INCORPORATED Harrisburg, Pa. 17105	
2 PLC DEC ± -	CHK 3/14/94 MS FEHER		
3 PLC DEC ± .015	APPD 3/14/94 D BRATINA	NAME	
ANGLES ± -	APPD 3/14/94 V KARABCIJEVSKY	TAB ASSEMBLY, ULTRA-FAST, PLUS, .250 SERIES, 22-18 AWG	
MATERIAL	PRODUCT SPEC 108-2017	SIZE	FSCM NO
SEE TABLE	APPLICATION SPEC 114-2123	<b>B</b>	00779
FINISH	WEIGHT -	DRAWING NO	521055
SEE TABLE		SCALE	4:1
		SHEET	1 OF 1