

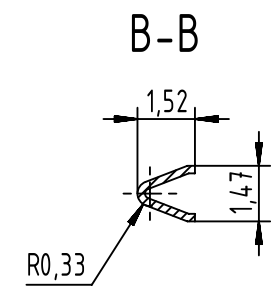
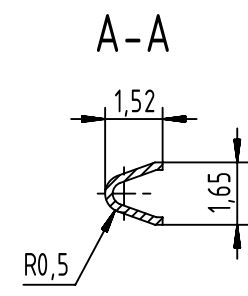
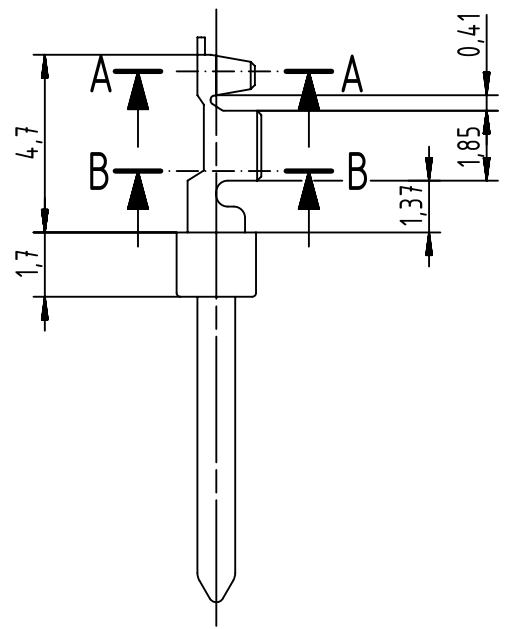
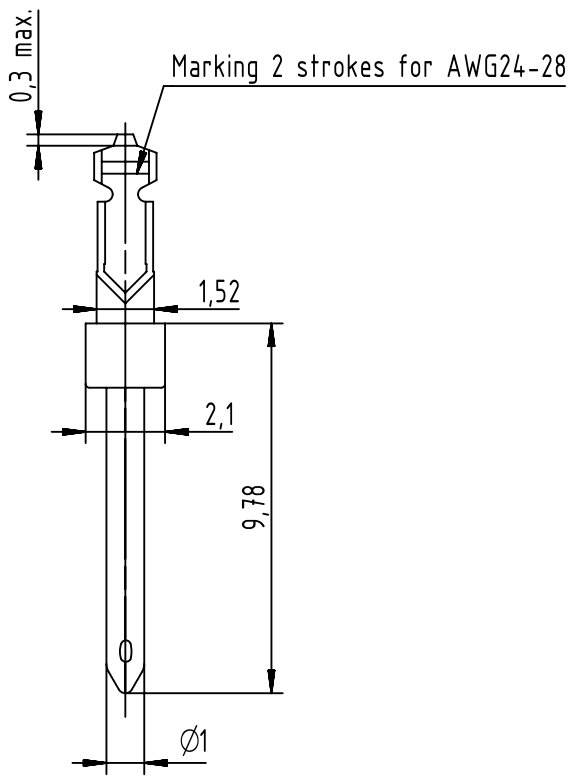
1 2 3 4 5 6

A

B

C

D



Base material: brass
 Plating: sliding contact selective plating over nickel
 nickel plated crimp area
 Number of contacts per bag: 500

		All Dimensions in mm Original Size DIN A4		Scale 5:1		Free size tol.		Ref.	
All rights reserved Department EC PD - FR		Created by SONN		Inspected by BAGDIKIAN		Standardisation HOFFMANN		Date 2015-01-15	
HARTING Electronics GmbH D-32339 Espelkamp		Title D-Sub, stamped male AWG 24-28 crimp contact						State Final Release	
Doc-Key / ECM-Nr. 100607835/UGD/000/A 500000083329		Type TB		Number 0967000717X				Rev. A	
Page 1/1		09 67 000 7178 PL2 PdNi		09 67 000 7177 PL3 Flash Gold		09 67 000 7176 PL1 PdNi		Part number Performance level Plating	

Mouser Electronics

Authorized Distributor

Click to View Pricing, Inventory, Delivery & Lifecycle Information:

[HARTING:](#)

[09670007176](#) [09670007177](#) [09670007178](#)