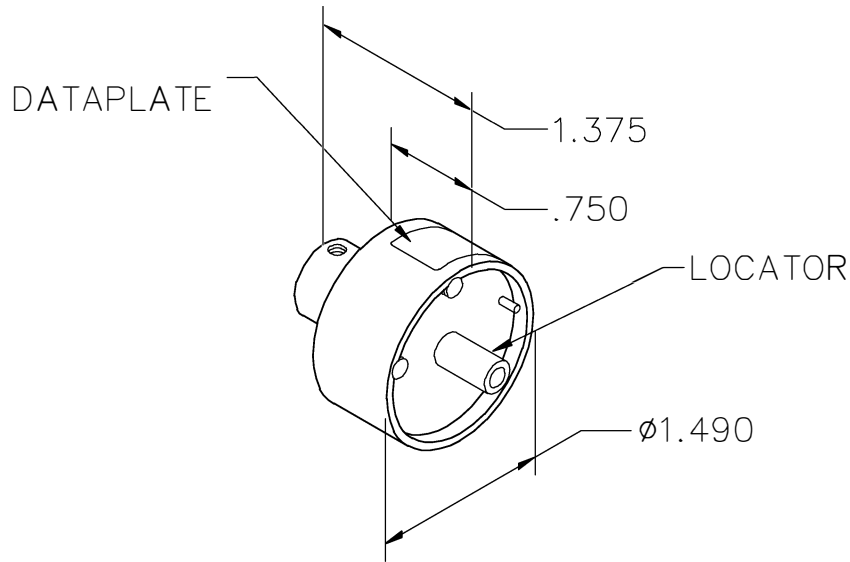


REVISIONS				
REV. SYM.	E.C.O. NUMBER	DESCRIPTION	BY DATE	APP'D DATE
1		REDRAWN	AAM 3-8-01	RRR 3-8-01



DEUTSCH CO.	12	14	WIRE SIZE
109270	7	6	SELECTOR NUMBER


DATAPLATE

LOCATOR	
HOLE DIMENSIONS	ADDITIONAL FEATURES
Ø.098 ↓.304	└┘ Ø.171 ↓.197

RESTRICTED & CONFIDENTIAL

CONFIDENTIAL PROPERTY OF DANIELS MANUFACTURING CORP. NOT TO BE DISCLOSED TO OTHERS, REPRODUCED OR USED FOR ANY OTHER PURPOSE, EXCEPT AS AUTHORIZED IN WRITING BY DANIELS MANUFACTURING. MUST BE RETURNED TO DANIELS MANUFACTURING CORP. ON COMPLETION OF ORDER OR OTHER PURPOSE FOR WHICH LENT.

DO NOT SCALE DRAWING

DRN.	BY	DATE	 DANIELS MANUFACTURING CORP. ORLANDO, FLORIDA CAGE 11851		
CHK'D.	AAM	DATE			
APP'D.	RRR	DATE			
APP'D.		DATE			
NOTE:			TITLE		
THIS DRAWING IS AN OUTLINE DRAWING OF THE RESPECTIVE DMC PART NUMBER INDICATED. ACTUAL DMC PART NUMBER IS DRAWING NUMBER WITHOUT THE "-ENV" SUFFIX.			ENVELOPE DRAWING SINGLE POSITION HEAD		
			WHERE USED: AF8		
SIZE	SCALE	CAD P/N	SHEET		OF
A	NONE	TP405-ENV	1		1
POSTING		DWG. NO.	REV.		
		TP405-ENV	1		

Mouser Electronics

Authorized Distributor

Click to View Pricing, Inventory, Delivery & Lifecycle Information:

[Daniels Manufacturing:](#)

[TP405](#)