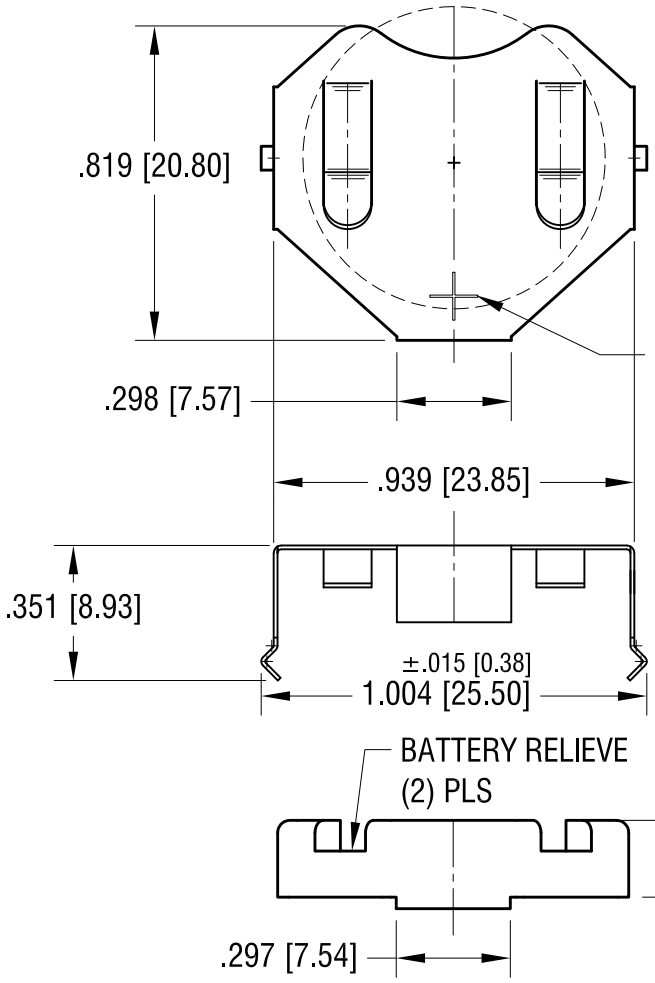
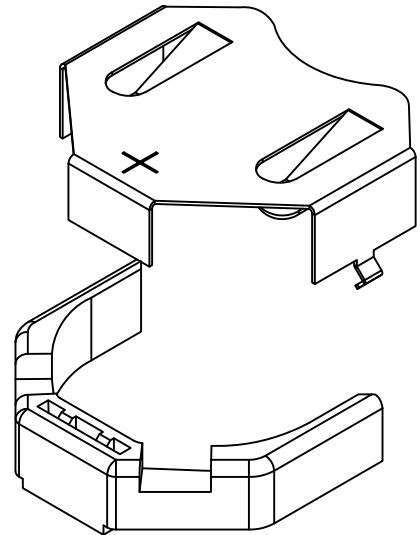
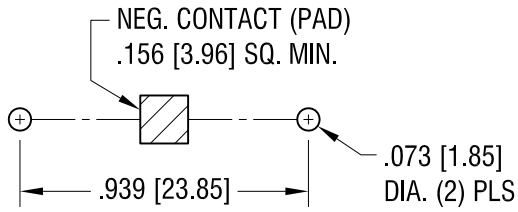
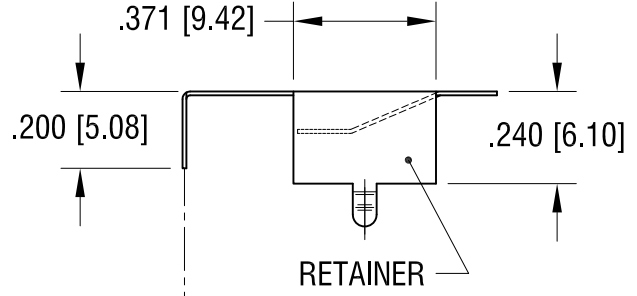


THIS DOCUMENT IS THE PROPERTY OF KEYSTONE ELECTRONICS CORP. AND SHALL NOT BE REPRODUCED, DISTRIBUTED OR USED AS A BASIS FOR MANUFACTURE WITHOUT PRIOR WRITTEN PERMISSION FROM KEYSTONE ELECTRONICS CORP.



$\pm .005$ [0.15]
 $.062$ [1.57]
 (2) PLS

STAMP POLARITY (+)
 AS SHOWN



NOTE:

1. CLIP MAT'L: .010 TH'K FULL HARD PHOSPHOR BRONZE
 INSULATOR MAT'L: HIGH TEMPERATURE NYLON, UL 94V-0
2. CLIP FINISH: TIN NICKEL PLATE
3. PART SUPPLIED UNASSEMBLED

KEYSTONE ELECTRONICS CORP.			
www.keyelco.com • ASTORIA, N.Y. 11105-2017 • Tel (718) 956-8900			
PART NAME PC COIN CELL CLIP FOR TWO 2020 OR 2025			
MATERIAL AS NOTED			
FINISH AS NOTED		DRN BY NT	DATE 4.21.11
		APP'D LN	SCALE 2X
TOLERANCES DECIMAL ANGULAR $\pm 1^\circ$ UNLESS OTHERWISE SPECIFIED	INCH [MM] $\pm .010$ [± 0.25]	CODE C	DWG NO. 3023-2

DATE	DESCRIPTION	REV.

Mouser Electronics

Authorized Distributor

Click to View Pricing, Inventory, Delivery & Lifecycle Information:

[Keystone Electronics:](#)

[3023-2](#)