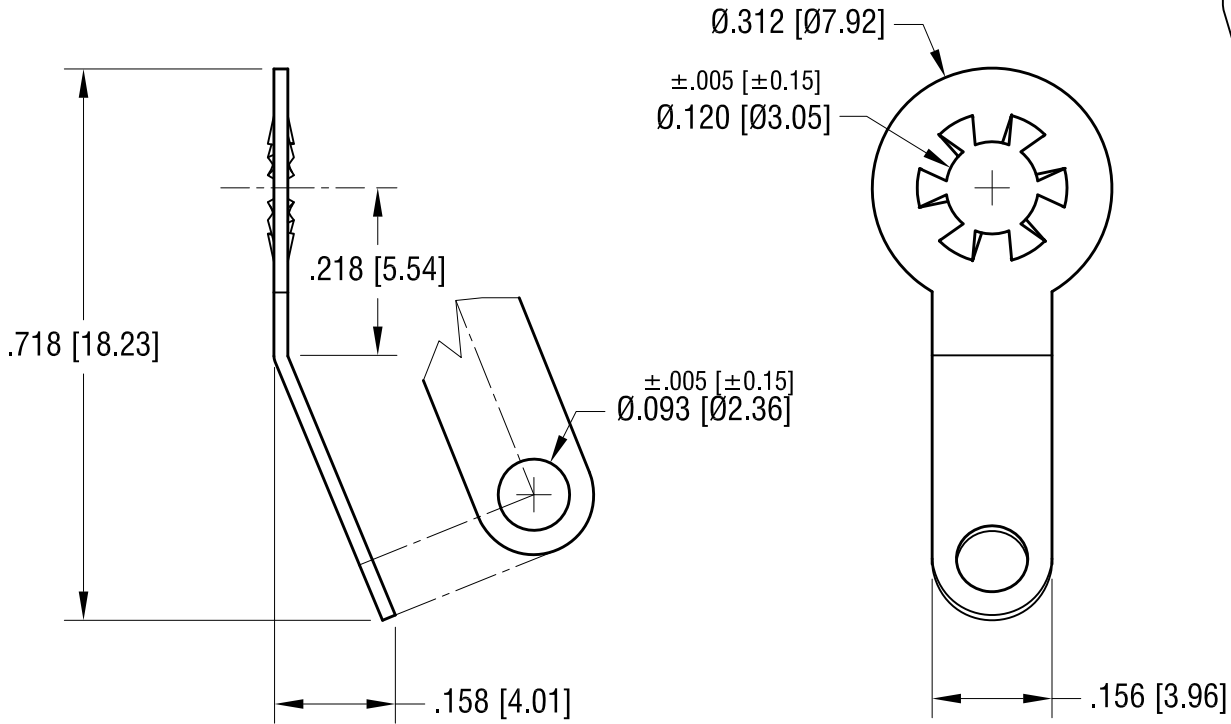


THIS DOCUMENT IS THE PROPERTY OF  
KEYSTONE ELECTRONICS CORP. AND  
SHALL NOT BE REPRODUCED, DISTRIBUTED  
OR USED AS A BASIS FOR MANUFACTURE  
WITHOUT PRIOR WRITTEN PERMISSION  
FROM KEYSTONE ELECTRONICS CORP.



**KEYSTONE ELECTRONICS CORP.**

www.keyelco.com • ASTORIA, N.Y. 11105-2017 • Tel (718) 956-8900

PART NAME

LOCKWASHER TERMINAL LUG

MATERIAL

.018 [0.45] TH'K BRASS

FINISH

MATTE TIN PLATE

DRN BY

NT

DATE

4.03.08

APP'D

LN

SCALE

4X

TOLERANCES

INCH [MM]

DECIMAL  $\pm .010$  [ $\pm 0.25$ ]

CODE

ANGULAR  $\pm 1^\circ$   
UNLESS OTHERWISE SPECIFIED

C

DWG NO.

7314

6.24.09 CHANGE AS PER ECN 09-079

B

1.28.09 CHANGE AS PER ECN 09-006

A

DATE

DESCRIPTION

REV.

# Mouser Electronics

Authorized Distributor

Click to View Pricing, Inventory, Delivery & Lifecycle Information:

[Keystone Electronics:](#)

[7314](#)