

Battery Clamp for CF8 Fuse Rated 58V

RoHS



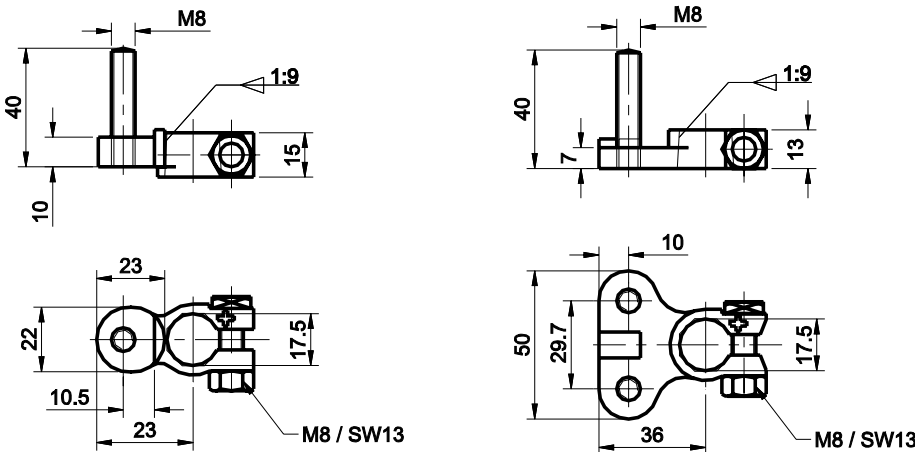
Specifications

Material: Brass G-Cu Zn 33 Pb
Starting torque: 10 Nm at batterypole, 12 Nm Compact Fuse
Packaging unit: Pos 1: 100 pieces
 Pos 2: 50 pieces

Battery clamp for CF8 Fuse links. Both battery clamps have an integrated twisted protection for the CF8-fuse link.

Batterieklemme für CF8-Sicherungen. Beide Batterieklemmer haben einen integrierten Verdrehschutz für die CF8-Sicherungen.

Dimensions in mm / Maße in mm



Part Number Artikel-Nr.	Description Beschreibung	Fuse Rating Nennstrom
255.1000.000_	Battery clamp 1 pole	max. 250 A (23+5°C)
255.2000.000_	Battery clamp 2 pole	max. 250 A (23+5°C)

CF8-fuses links only in conjunction with Insulating nuts 255.0808.0001, 255.0899.4001 or 255.0899.5001.

Corresponding CF8-fuse links see Section "Bolt-down Fuses."

Insert CF8-Fuse links only in conjunction with the insulating nut see next page.

Last figure of part number = packaging code, see Section "Packaging Index," pg. 157.

Mouser Electronics

Authorized Distributor

Click to View Pricing, Inventory, Delivery & Lifecycle Information:

[Littelfuse:](#)

[255.2000.0001](#) [255.1000.0001](#)