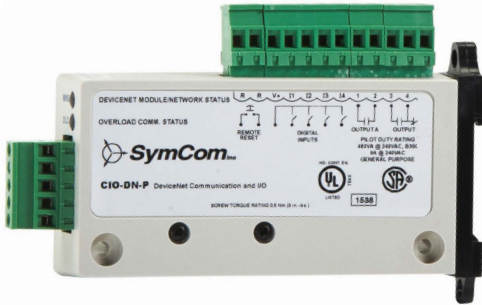


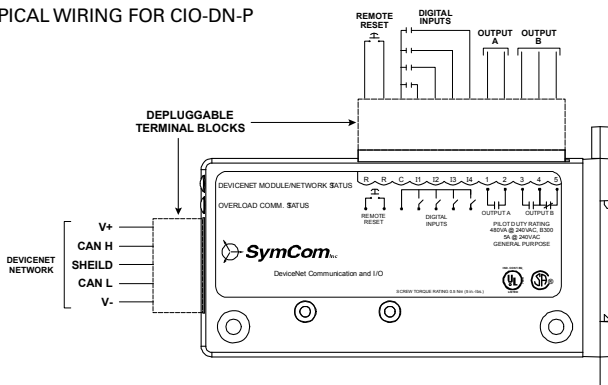
CIO-DN-P/CIO-120-DN-P

Communication link to PLC/SCADA/
monitoring systems

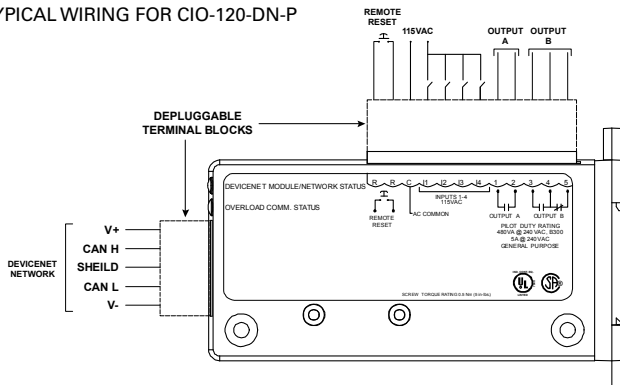


Wiring Diagram

TYPICAL WIRING FOR CIO-DN-P



TYPICAL WIRING FOR CIO-120-DN-P



Description

The CIO-DN-P/CIO-120-DN-P are convenient and cost-effective Devicenet™ interfaces capable of providing discrete control and monitoring of motor starters, drives and other devices over a Devicenet™ network.

Features & Benefits

| FEATURES | BENEFITS |
|---|--|
| Compact size 3.4" H x 1.0" W x 5.46" D | Easily adapts to existing as well as new applications |
| Flexible addressing standard allows function as stand-alone interface or in conjunction with 777 series overload relay | Provides flexibility for control and monitoring |
| Remote reset option | Additional remote reset input allows user to reset 777 series relays without opening the panel |
| DIN rail or surface mountable | Allows installation flexibility |
| Unpluggable terminal block connections | Allows user to wire terminal blocks before installing the module and reduces field wiring |

Specifications

Input Characteristics

Power Requirements

| | |
|--------------------------|---------------|
| Voltage (nominal) | 24VDC |
| Current | 137mA (max.) |
| Power | 3.28 W (max.) |

Digital Inputs

Voltage Range

| | |
|---------------------|-----------|
| CIO-DN-P | 12-24 VAC |
| CIO-120-DN-P | 90-130VAC |

Frequency

50/60Hz

Maximum Current

2mA (typical)

Remote Reset

24VDC, 10mA (min.), NO pushbutton

Output Characteristics

Form A & Form C Contactors

480VA @ 240VAC, B300

General Purpose

5A @ 240VAC

General Characteristics

Temperature Range -20° to 70°C (-4° to 158°F)

Relative Humidity 10-95%, non-condensing

Wire Gauge Solid or stranded, 12-20 AWG

Terminal Torque 3 in.-lbs.

Hi-Potential Test

(relays to other circuits) (2 x rated V + 1000V for 1 minute)

Ordering Information

| MODEL | LINE VOTAGE |
|--------------|--------------|
| CIO-DN-P | 12 to 24VAC |
| CIO-120-DN-P | 90 to 130VAC |

CIO-DN-P/CIO-120-DN-P



EMC Standards

Electrostatic Discharge (ESD) IEC 61000-4-2, Level 3, 6kV contact, 8kV air

Radio Frequency Immunity,

Radiated 150 MHz, 10V/m

Fast Transient Burst IEC 61000-4-4, Level 3, 4kV input power

Safety Marks

UL, ULC Listed UL508 (File #E68520)

CSA C22.2 (File #46510)

Enclosure Polycarbonate

Dimensions **H** 86.36 mm (3.4"); **W** 25.4 mm (1.0");

D 138.68 mm (5.46")

(w/depluggable connectors)

Weight

0.25 lb. (4 oz., 113.4 g)

(w/depluggable connectors)

Mounting Methods

DIN Rail or surface mount (w/two #8 screws)

Mouser Electronics

Authorized Distributor

Click to View Pricing, Inventory, Delivery & Lifecycle Information:

[Littelfuse:](#)

[CIO-DN-P](#) [CIO-120-DN-P](#)