

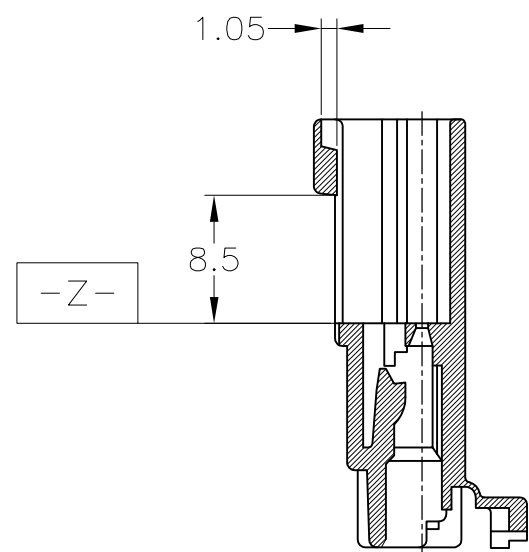
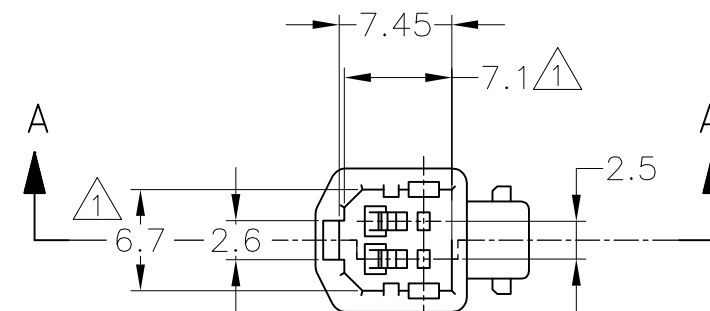
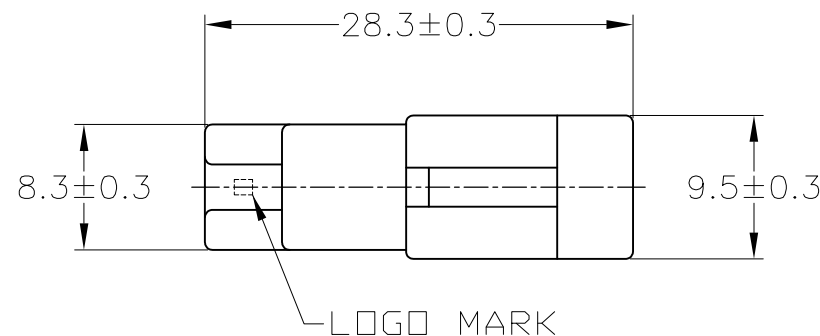
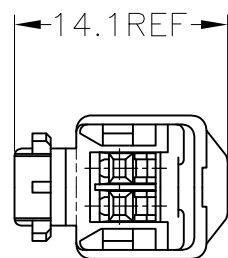
THIS DRAWING IS UNPUBLISHED.

RELEASED FOR PUBLICATION

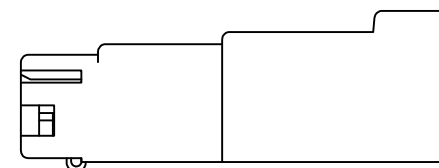
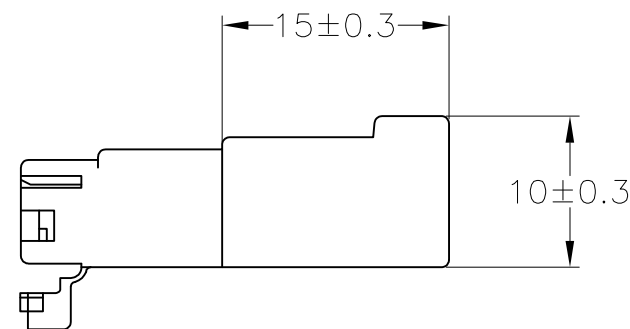
ALL RIGHTS RESERVED.

© COPYRIGHT - By -

LOC	DIST	REVISIONS					
J	-	P	LTR	DESCRIPTION	DATE	DWN	APVD
			C2	REVISED PER ECO-11-005140	28MAR11	RK	HMR



A-A



二重ロック時
DOUBLE LOCKED

△ TO BE MEASURED WITHIN 2mm FROM -Z-
 2. APPLICABLE CONTACT PART NUMBER: 173682, 175206

△ -Z- 面から 2mm の範囲で測定
 2. 適用端子型番: 173682, 175206

青 (BLUE)	174057-5
緑 (GREEN)	174057-4
黒 (BLACK)	174057-2
色 (COLOR)	製品型番 (PART NO.)

TOLERANCE UNLESS OTHERWISE SPECIFIED:
一般公差

0 < x ≤ 10	: ±0.2
10 < x ≤ 30	: ±0.25
30 < x ≤ 100	: ±0.3
ANGLE ; 角度	: ±3°

THIS DRAWING IS A CONTROLLED DOCUMENT.

DIMENSIONS: 単位: 耗 mm	TOLERANCES UNLESS OTHERWISE SPECIFIED: 一般公差
	0 PLC ± - 1 PLC ± - 2 PLC ± - 3 PLC ± - 4 PLC ± - ANGLES ± -
MATERIAL 材料 PBT	FINISH 仕上 -

DWN M.SUGAWARA	02AUG06
CHK K.BETSUI	02AUG06
APVD K.BETSUI	02AUG06
PRODUCT SPEC 製品規格 108-5352	
APPLICATION SPEC 取付適用規格	
WEIGHT	-

STE TE Connectivity			
2POSITION CAP HOUSING 040SERIES MULTI-LOCK CONNECTOR			
SIZE	CAGE CODE	DRAWING NO 番号	RESTRICTED TO
A3	00779	C-174057	-
CUSTOMER DRAWING		SCALE 尺度 2:1	SHEET 1 OF 1
		REV C2	

Mouser Electronics

Authorized Distributor

Click to View Pricing, Inventory, Delivery & Lifecycle Information:

[TE Connectivity:](#)

[174057-4](#)