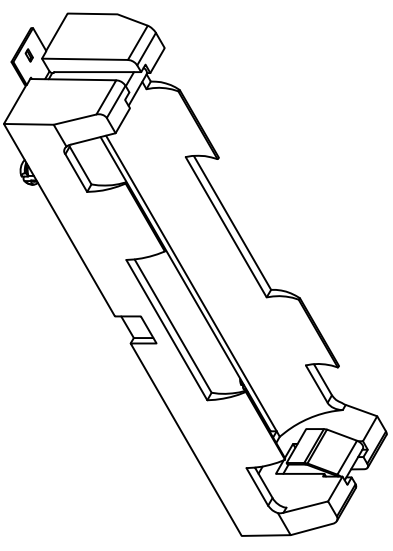
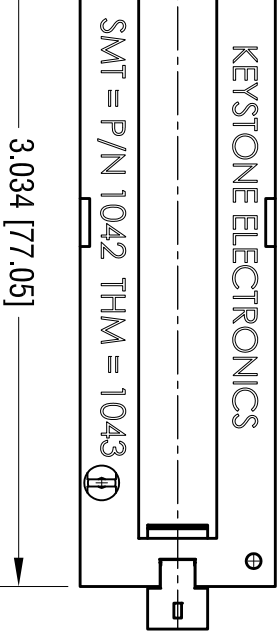


DATE	DESCRIPTION	REV.
10.24.10	AS PER ECN 10-062	A
10.04.10	CHANGE AS PER ECN 10-069	B
10.26.10	CHANGE AS PER ECN 10-075	C
4.12.11	CHANGE AS PER ECN 11-049	D
1.08.18	CHANGE AS PER ECN 18-002 (E1) WAS 3.386 [86.00] ADJUST MOUNTING LAYOUT TO MAX. TOLERANCE. CONTACT MAT'L WAS PHOSPHOR BRONZE	E



NOTE:  
 1. BASE:  
 MAT'L: HEAT RESISTANCE NYLON  
 STANYL 46 OR EQUIVALENT  
 2. CONTACT:  
 MAT'L: .012 [0.30] THK STAINLESS STEEL  
 FINISH: GOLD FLASH, OVER NICKEL PLATE



**KEYSTONE ELECTRONICS CORP.**  
 www.keystec.com • ASTORIA, N.Y. 11105-2017 • Tel (718) 956-8900  
 PART NAME: PC BATTERY HOLDER, 18650  
 MATERIAL: AS NOTED  
 FINISH: AS NOTED

THIS DOCUMENT IS THE PROPERTY OF  
 KEYSTONE ELECTRONICS CORP. AND  
 SHALL NOT BE REPRODUCED, DISTRIBUTED  
 OR USED AS A BASIS FOR MANUFACTURE  
 WITHOUT PRIOR WRITTEN PERMISSION  
 FROM KEYSTONE ELECTRONICS CORP.

TOLERANCES	INCH	[MM]	CODE	DWG NO.
DECIMAL	± .010	[± 0.25]	C	1042
ANGULAR	± 1°			

FINISH	AS NOTED	DRN BY	DATE
AS NOTED	AS NOTED	NT	8.19.10

App'D	SCALE
LN	1.25X

# Mouser Electronics

Authorized Distributor

Click to View Pricing, Inventory, Delivery & Lifecycle Information:

[Keystone Electronics:](#)

[1042](#)