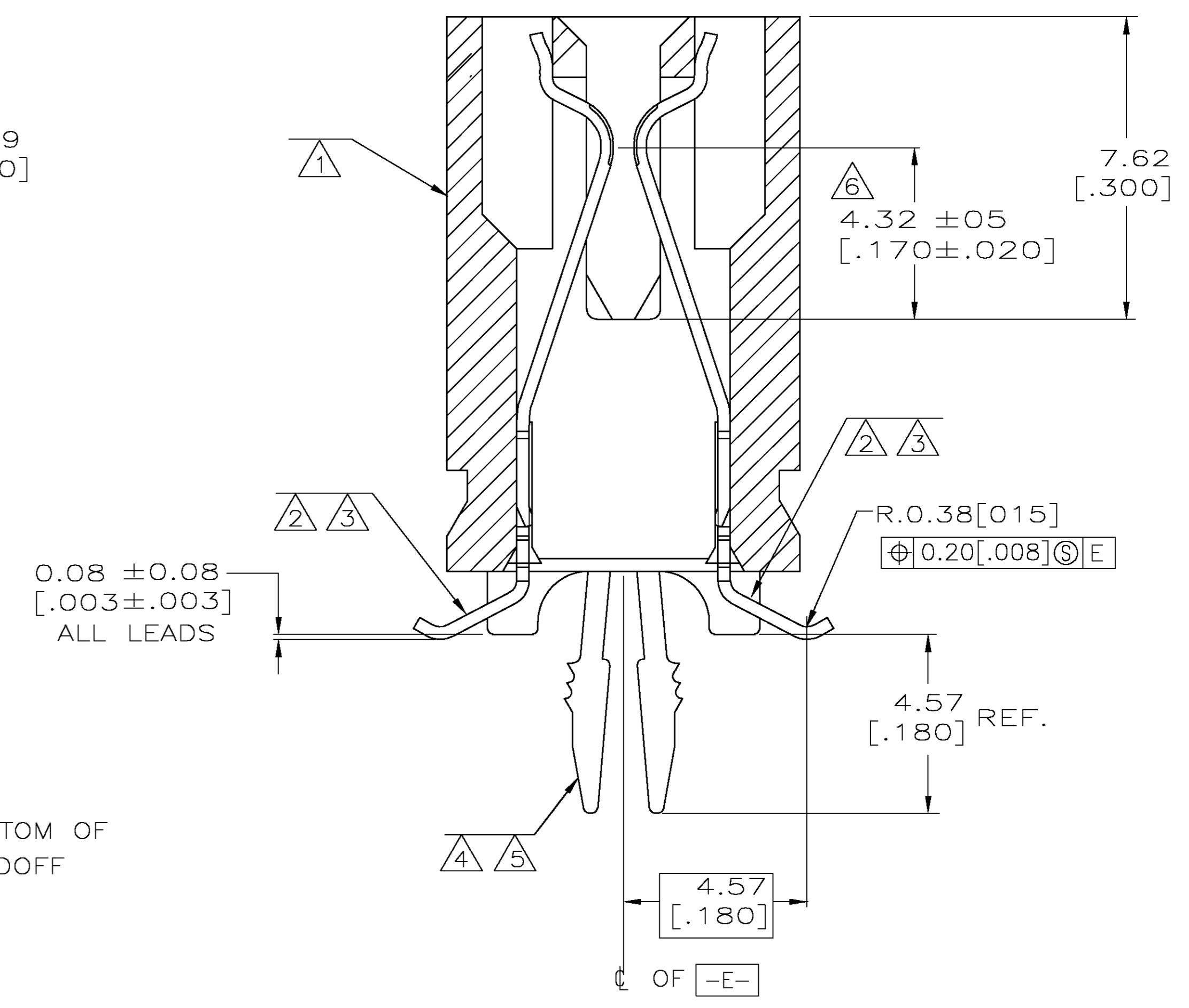
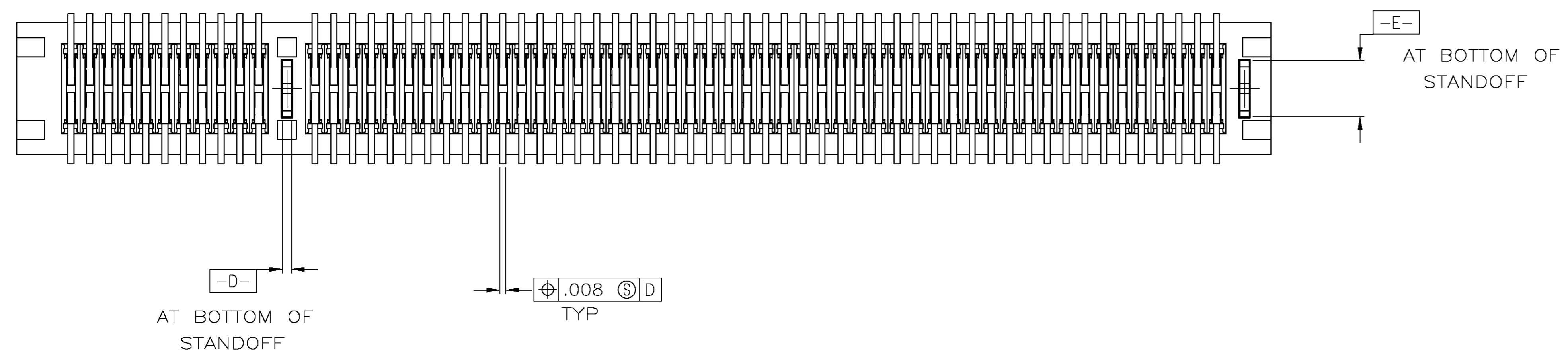
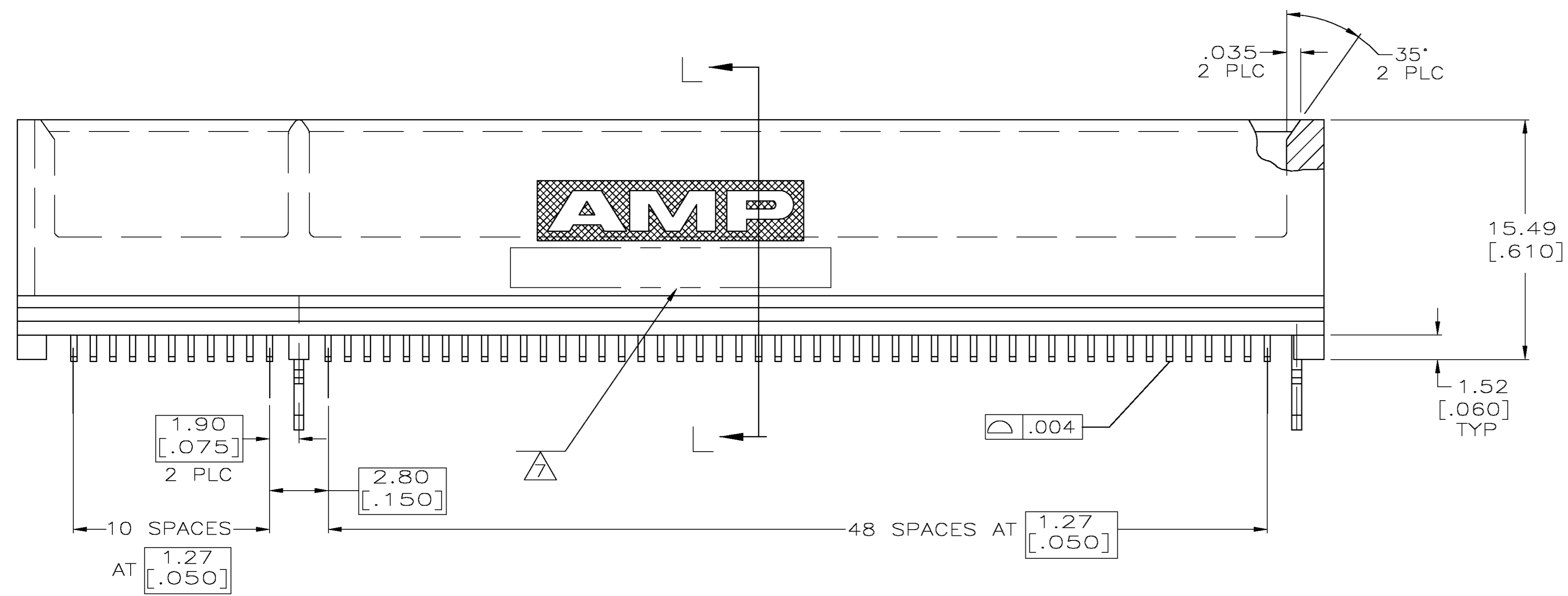
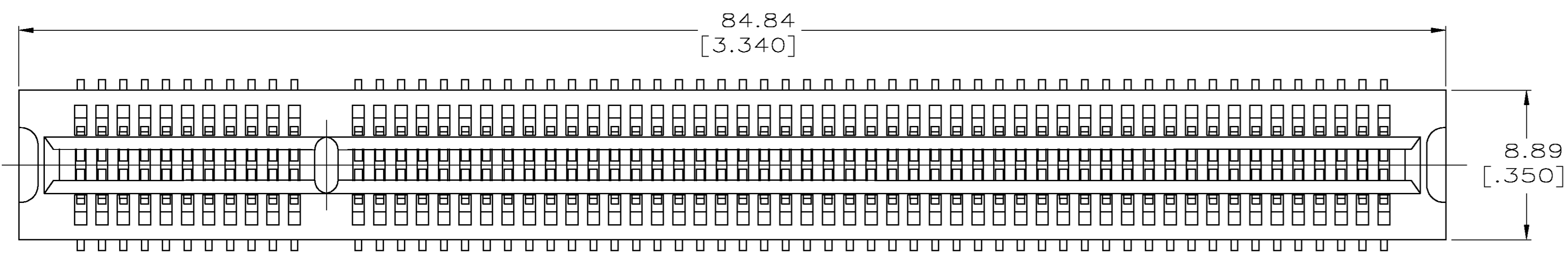


LOC		DIST		REVISIONS			
F	LTR	DESCRIPTION	DATE	DN	APVD		
B		REVISED PER EC 0515-0122-05	06 JUN 05	AWF	AWF		

- ① HOUSING: HIGH TEMPERATURE THERMOPLASTIC.
- ② CONTACT: PHOSPHOR BRONZE.
- ③ CONTACT FINISH: .000100 MIN NICKEL ALL OVER.  
.000030 MIN GOLD OVER NICKEL IN CONTACT AREA.  
.000100 MIN MATTE TIN OVER NICKEL ON SOLDER TAILS.
- ④ METAL HOLD DOWN: BRASS
- ⑤ METAL HOLD DOWN FINISH: .000050 MIN NICKEL ALL OVER,  
.000150 MIN MATTE TIN ALL OVER.
- ⑥ DISTANCE FROM CONTACT POINT TO BOTTOM OF CARD SLOT.
- ⑦ AMP PART NUMBER, DATE CODE AND CSA LOGO MARKED IN APPROXIMATE AREA SHOWN.



SECTION L-L  
SCALE 8:1

1761842-1 AS SHOWN

THIS DRAWING IS A CONTROLLED DOCUMENT.		DN AL FRANTUM 30 MAR 05	Tyco Electronics Corporation Harrisburg, Pa 17105-3608
DIMENSIONS: mm		OK AL FRANTUM 30 MAR 05	
TOLERANCES UNLESS OTHERWISE SPECIFIED:		APVD	NAME
0 PLC ± -	PRODUCT SPEC	108-14034	CONNECTOR ASSEMBLY, 60 DUAL POSITION, .050 SERIEIS, STANDARD EDGE, SURFACE MOUNT
1 PLC ± -	APPLICATION SPEC	114-13148	SIZE CAGE CODE DRAWING NO RESTRICTED TO
2 PLC ± 0.13[.005]	WEIGHT	A1 00779 C=1761842	SCALE 5:1 SHEET 1 OF 2 REV B
3 PLC ± -	CUSTOMER DRAWING		
4 PLC ± -			
ANGLES ± 2			
FINISH			



# Mouser Electronics

Authorized Distributor

Click to View Pricing, Inventory, Delivery & Lifecycle Information:

[TE Connectivity:](#)

[1761842-1](#)