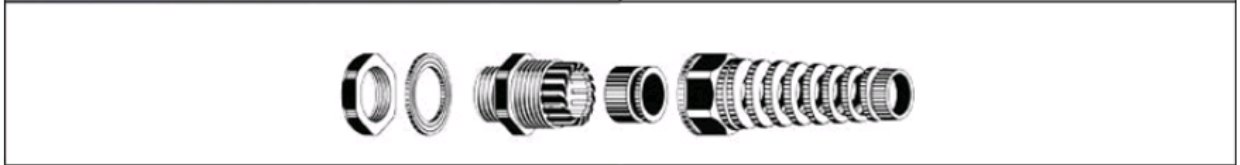
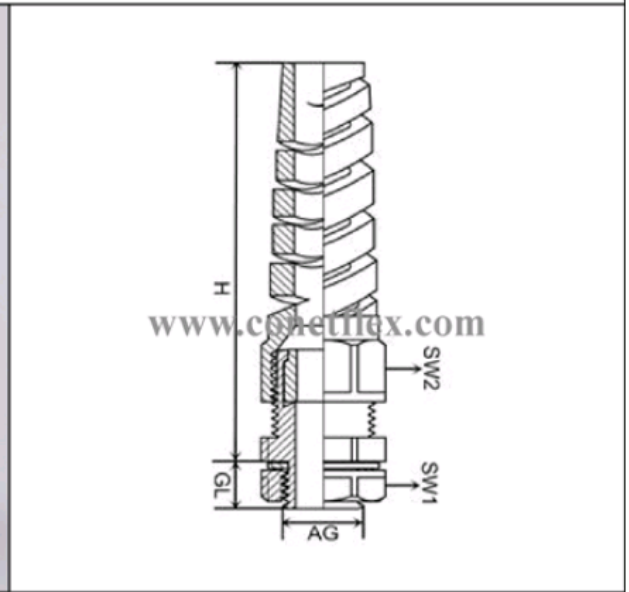


A 型耐扭尼龙电缆接头 A Type Strain Relief Nylon Cable Gland



产品信息

材料: UL 认可的尼龙 PA66
 防水圈: 三元乙丙耐候橡胶
 垫片(O 型圈): 三元乙丙耐候橡胶
 防火等级: UL94V-2 (可定做 V0 防火等级)
 保护等级: IP68
 工作温度: -40℃ 至 100℃
 颜色种类: 黑色, 灰色, 其他颜色可定做

Product Information

Material: UL approved Nylon PA66
Hermetic Seal: Weather resistant EPDM Rubber
Washer(O Ring): Weather resistant EPDM Rubber
Fire Proof Degree: UL94V-2 (V0 customized)
Protection Degree: IP68
Working Temperature: -40℃ to 100℃
Color: Black(RAL9005), Grey(RAL7035), other colors as customized

技术参数 Technical Data

| 螺纹规格 Thread | 编号 Part No | 线缆范围 Cable Range | 螺纹外径 AG | 螺纹长度 GL | 结合长度 H | 扳手尺寸 SW1/SW2 |
|----------------|---------------|---------------------|------------|------------|-----------|-----------------|
| | | mm | mm | mm | mm | mm |
| M12 x 1.5 | 1005M1265 | 3-6.5 | 12 | 9 | 58 | 18/15 |
| M12 x 1.5 | 1005M1208 | 4-8 | 12 | 9 | 74 | 18/19 |
| M16 x 1.5 | 1005M1608 | 4-8 | 16 | 9 | 72 | 22/19 |
| M16 x 1.5 | 1005M1607 | 3-7 | 16 | 10 | 80 | 22/22 |
| M16 x 1.5 | 1005M1610 | 5-10 | 16 | 10 | 80 | 22/22 |
| M18 x 1.5 | 1005M1807 | 3-7 | 18 | 10 | 80 | 24/22 |
| M18 x 1.5 | 1005M1810 | 5-10 | 18 | 10 | 80 | 24/22 |
| M20 x 1.5 | 1005M2012 | 6-12 | 20 | 10.5 | 92 | 27/24 |
| M20 x 1.5 | 1005M2010 | 5-10 | 20 | 11 | 103 | 27/27 |
| M20 x 1.5 | 1005M2014 | 10-14 | 20 | 11 | 103 | 27/27 |
| M25 x 1.5 | 1005M2513 | 7-13 | 25 | 12 | 105 | 33/33 |
| M25 x 1.5 | 1005M2518 | 13-18 | 25 | 12 | 105 | 33/33 |

| 螺纹规格 Thread | 编号 Part No | 线缆范围 Cable Range | 螺纹外径 AG | 螺纹长度 GL | 结合长度 H | 扳手尺寸 SW1/SW2 |
|----------------|---------------|---------------------|------------|------------|-----------|-----------------|
| | | mm | mm | mm | mm | mm |
| PG7 | 1005PG765 | 3-6.5 | 12.5 | 9 | 58 | 17/15 |
| PG7 | 1005PG708 | 4-8 | 12.5 | 9 | 74 | 17/19 |
| PG9 | 1005PG955 | 3-5.5 | 15.2 | 9 | 74 | 22/19 |
| PG9 | 1005PG908 | 4-8 | 15.2 | 9 | 74 | 22/19 |
| PG11 | 1005PG1107 | 3-7 | 18.6 | 10 | 80 | 24/22 |
| PG11 | 1005PG1110 | 5-10 | 18.6 | 10 | 80 | 24/22 |
| PG13.5 | 1005PG13.509 | 5-9 | 20.4 | 10.5 | 96 | 27/24 |
| PG13.5 | 1005PG13.512 | 6-12 | 20.4 | 10.5 | 96 | 27/24 |
| PG16 | 1005PG1610 | 5-10 | 22.5 | 11 | 103 | 30/27 |
| PG16 | 1005PG1614 | 10-14 | 22.5 | 11 | 103 | 30/27 |
| PG21 | 1005PG2113 | 7-13 | 28.3 | 12 | 105 | 36/33 |
| PG21 | 1005PG2118 | 13-18 | 28.3 | 12 | 105 | 36/33 |
| 螺纹规格 Thread | 编号 Part No | 线缆范围 Cable Range | 螺纹外径 AG | 螺纹长度 GL | 结合长度 H | 扳手尺寸 SW1/SW2 |
| | | mm | mm | mm | mm | mm |
| G3/8" | 1005G3/807 | 3-7 | 16.6 | 10 | 80 | 22/22 |
| G3/8" | 1005G3/810 | 5-10 | 16.6 | 10 | 80 | 22/22 |
| G1/2" | 1005G1/209 | 5-9 | 20.9 | 10 | 96 | 27/24 |
| G1/2" | 1005G1/212 | 6-12 | 20.9 | 10 | 96 | 27/24 |
| G3/4" | 1005G3/413 | 7-13 | 26.4 | 12 | 103 | 36/33 |
| G3/4" | 1005G3/418 | 13-18 | 26.4 | 12 | 103 | 36/33 |
| 螺纹规格 Thread | 编号 Part No | 线缆范围 Cable Range | 螺纹外径 AG | 螺纹长度 GL | 结合长度 H | 扳手尺寸 SW1/SW2 |
| | | mm | mm | mm | mm | mm |
| NPT3/8" | 1005NPT3/807 | 3-7 | 17 | 10 | 80 | 22/22 |
| NPT3/8" | 1005NPT3/810 | 5-10 | 17 | 10 | 80 | 22/22 |
| NPT1/2" | 1005NPT1/209 | 5-9 | 21.2 | 10 | 96 | 27/24 |
| NPT1/2" | 1005NPT1/212 | 6-12 | 21.2 | 10 | 96 | 27/24 |
| NPT3/4" | 1005NPT3/413 | 7-13 | 26.5 | 15 | 103 | 36/33 |
| NPT3/4" | 1005NPT3/418 | 13-18 | 26.5 | 15 | 103 | 36/33 |