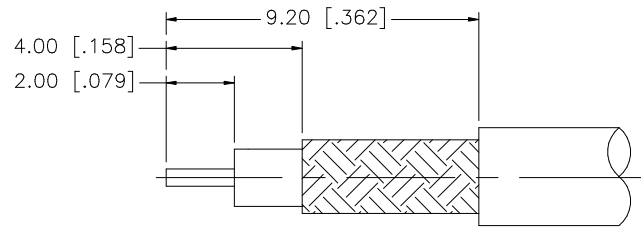
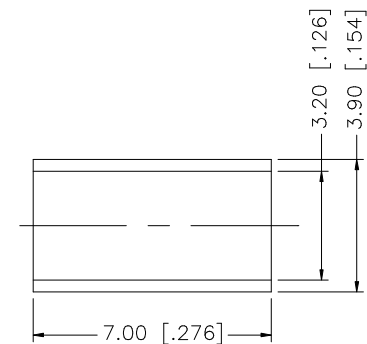
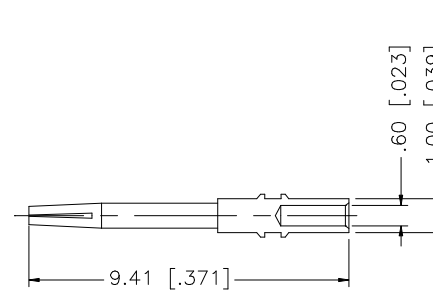
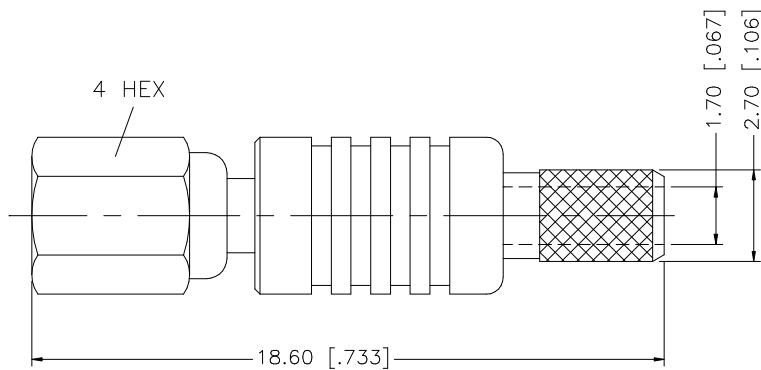


REV.	DATE	DESCRIPTION
NC	01/29/07	INITIAL RELEASE



RECOMMENDED  
CABLE STRIPPING DIM'S



NOTE:

1. CRIMPED FERRULE HEX CRIMP SIZE .128"
2. CONTACT PIN TO SOLDER

REV.	DATE	DESCRIPTION
8		
7		
6		
5		
4		
3	CONTACT PIN	BER. COPPER
2	INSULATOR	TEFLON
1	BODY	BRASS
	DESCRIPTION	MATERIAL
		FINISH
		QTY
<p>UNLESS OTHERWISE SPECIFIED DIMENSIONS ARE IN MILLIMETERS. DIMENSIONS IN [ ] ARE IN INCHES AND FOR CUSTOMER REFERENCE ONLY.</p> <p>UNLESS OTHERWISE SPECIFIED TOLERANCES FOR MILLIMETERS ARE:  0.5 - 8mm ± 0.20mm  8 - 30mm ± 0.40mm  30 - 120mm ± 0.50mm</p> <p>UNLESS OTHERWISE SPECIFIED TOLERANCES FOR INCHES ARE:  .020 - .315 = ± 0.007"  .315 - 1.180 = ± 0.015"  1.180 - 4.724 = ± 0.020"</p> <p>DO NOT SCALE DRAWING</p>		
APPROVALS		DATE
DRAWN	G.R.S.	01/29/07
CHECKED		
ISSUED		
SHEET	1 OF 1	
CAD FILE		
C:/153/153100.DWG		
<p><b>Amphenol Connex</b></p>		
PART DESCRIPTION		
SSMC CRIMP PLUG (FOR RG-174/U, 188A/U, 316/U)		
PART NO.		
153100		
DWG. NO.	153100.DWG	REV. NC
SIZE	A	SCALE NA