

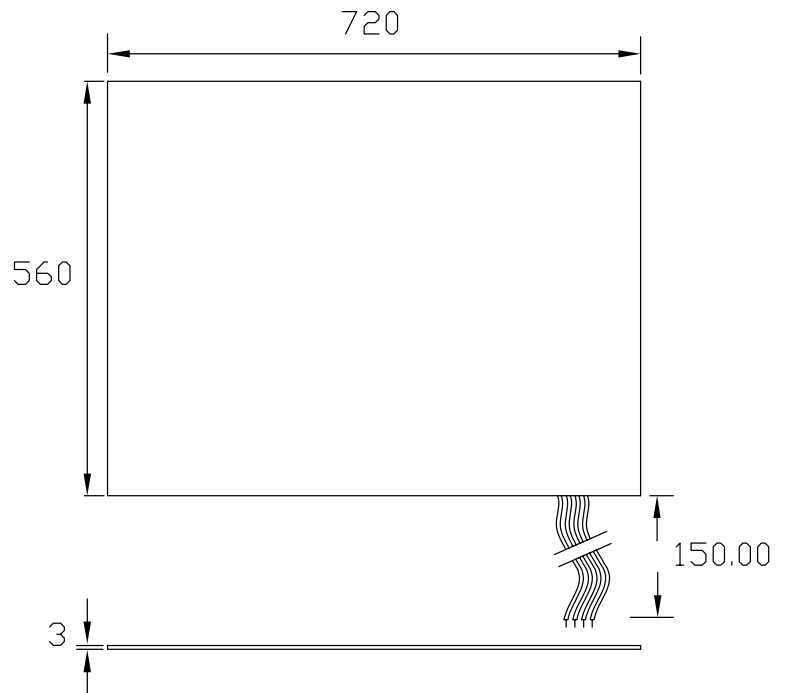


ENGLISH

Datasheet

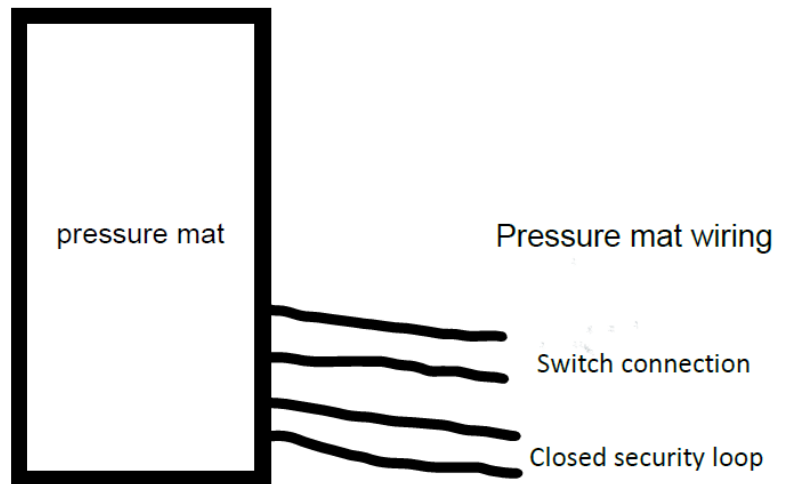
Stock No: 9184769

RS PRO Large pressure mat, 720 x 560 x 3mm



Specifications

- Normally open with supervisory loop
- 25Kg over 50mm² actuation pressure
- Maximum switching voltage 25 V/DC
- Maximum switching current 0.25 Amps DC (Resistive)
- Carry current Max 0.25 Amps DC (Resistive)
- Maximum power 10 W/VA
- Ingress protection IP64 (Not waterproof)
- Contact resistance 1 Ohm (typical)
- Operating temperature -10° to +70° Celsius
- Seem welded PVC material
- 0.22mm² black PVC insulated cable



Installation note: To identify the wires please use a continuity meter.

With no load placed upon the mat, the two adjacent wires connected to the pressure mat switch surfaces will show an open circuit. The other two adjacent wires (security loop) will show as being a closed circuit.