

NOTES:

1. MATERIALS AND FINISHES:

- FERRULE - BRASS, WHITE BRONZE PLATING
- SPACER - PTFE, NATURAL
- CONTACT - PHOSPHOR BRONZE, GOLD PLATING
- BODY - BRASS, WHITE BRONZE PLATING
- INSULATOR - PTFE, NATURAL

2. ELECTRICAL:

- A. IMPEDANCE: 50 OHM
- B. FREQUENCY RANGE: 0-6 GHz
- C. VSWR (RETURN LOSS): 1.2 MAX. @ 0-4GHz
- D. D.W.V: 2500 VRMS, MIN.

3. MECHANICAL:

- A. DURABILITY: 500 CYCLES MIN.
- B. TEMPERATURE RANGE: -65°C TO +165°C

4. CRIMPED FERRULE HEX. CRIMP SIZE .255"

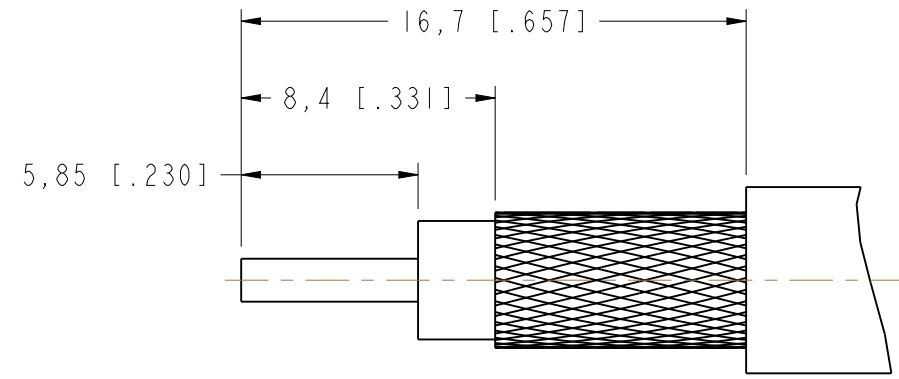
5. CRIMPED CONTACT PIN HEX. CRIMP SIZE .100" OR SOLDER

6. SHOWS CABLE ENTRY DIMENSIONS.

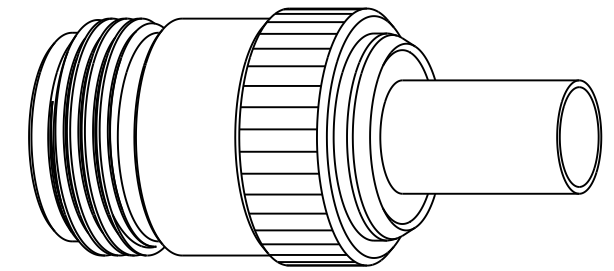
THIRD ANGLE PROJ.

REVISIONS

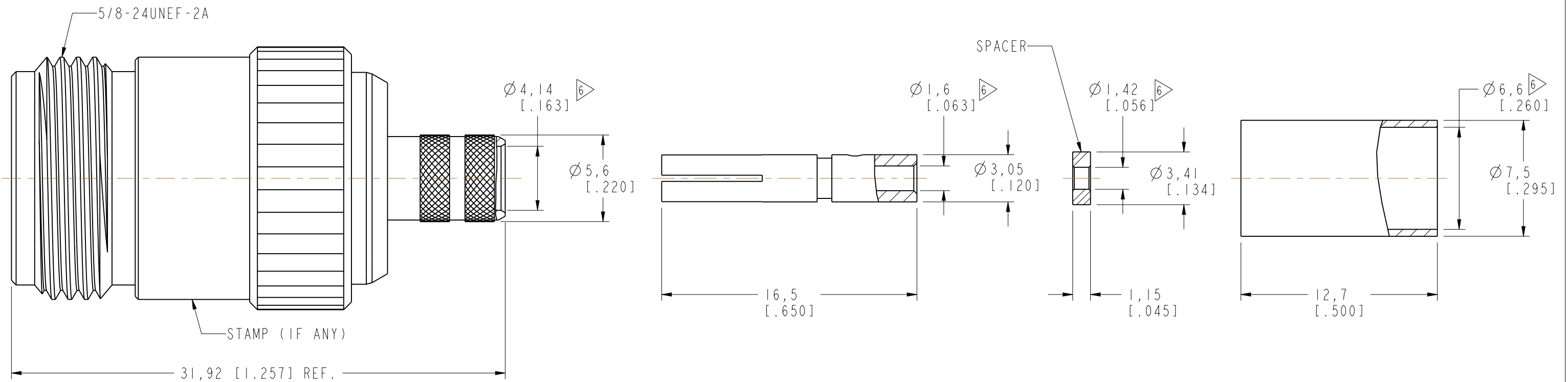
REV	DESCRIPTION	DATE	ECO	APPR
A	RELEASE TO MFG.	25-Mar-15	2887	BCG



RECOMMENDED
CABLE STRIPPING DIM'S



SCALE 2.000



CUSTOMER OUTLINE DRAWING

ALL OTHER SHEETS ARE FOR INTERNAL USE ONLY

UNLESS OTHERWISE SPECIFIED, DIMENSIONS ARE IN METRIC AND TOLERANCES ARE:
 <0.5mm ± 0.05mm 0.5 - 6mm ± 0.1mm 6 - 30mm ± 0.2mm 30 - 120mm ± 0.3mm ANGLES ± 1°

NOTICE - These drawings, specifications, or other data (1) are, and remain the property of Amphenol corp. (2) must be returned upon request; and (3) are confidential and not to be disclosed to any person other than those to whom they are given by Amphenol Corp. the furnishing of these drawings, specifications, or other data by Amphenol Corp., or to any other person to anyone for any purpose is not to be regarded by implication or otherwise in any manner licensing, granting rights to permitting such holder or any other person to manufacture, use or sell any product, process or design, patented or otherwise, that may in any way be related to or disclosed by said drawings, specifications, or other data.

MATERIAL	DRAWN M. ZHANG	DATE 26-Feb-15	TITLE N CRIMP JACK (FOR LMR-240 CABLE)		Amphenol Connex
REFERENCE EAR# 6467 N6121AI-AT5GP-LMR240-50 CONFIGURATION LEVEL: In Work	ENGINEER S. DUAN	DATE 26-Feb-15	DRAWING NO.		
FINISH	APPROVED B.C. GLEISSNER	DATE 25-Mar-15	SCALE: 4.0:1.0	SHEET 3 OF 3	ITEM NO.
	CAD FILE		DWG SIZE B	REV A	PART NO. 172394