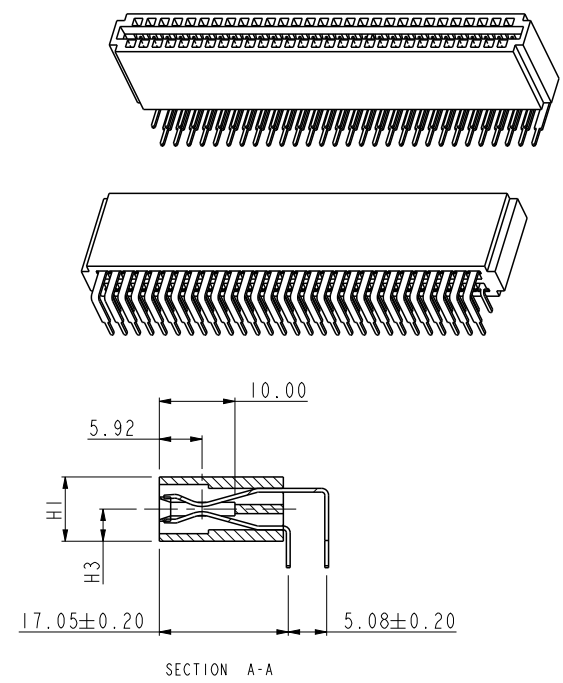
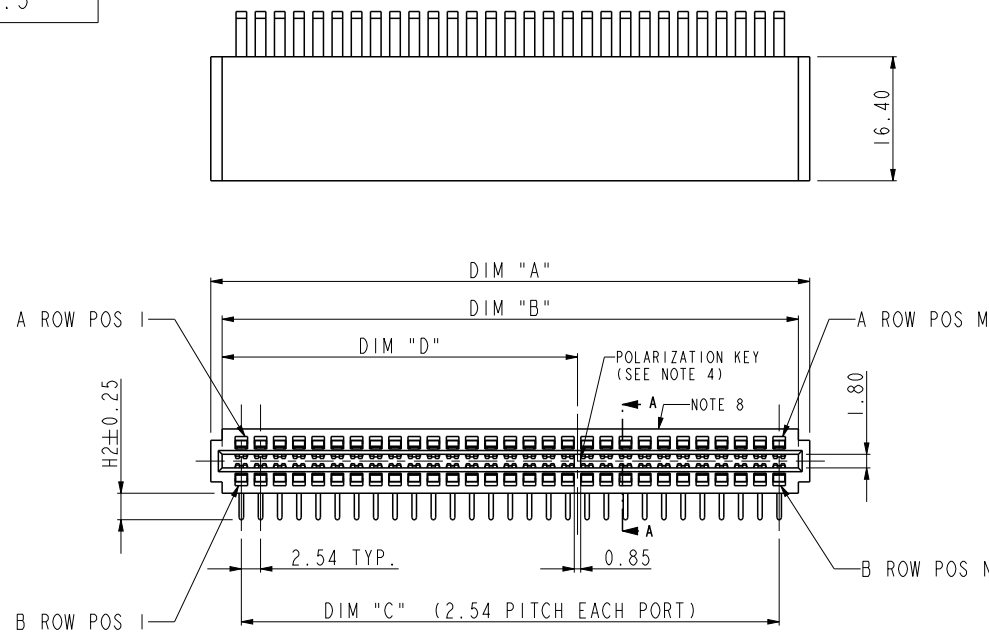


PRODUCT NO.
10035388-XXX_-
NOTE: 5



NOTES:

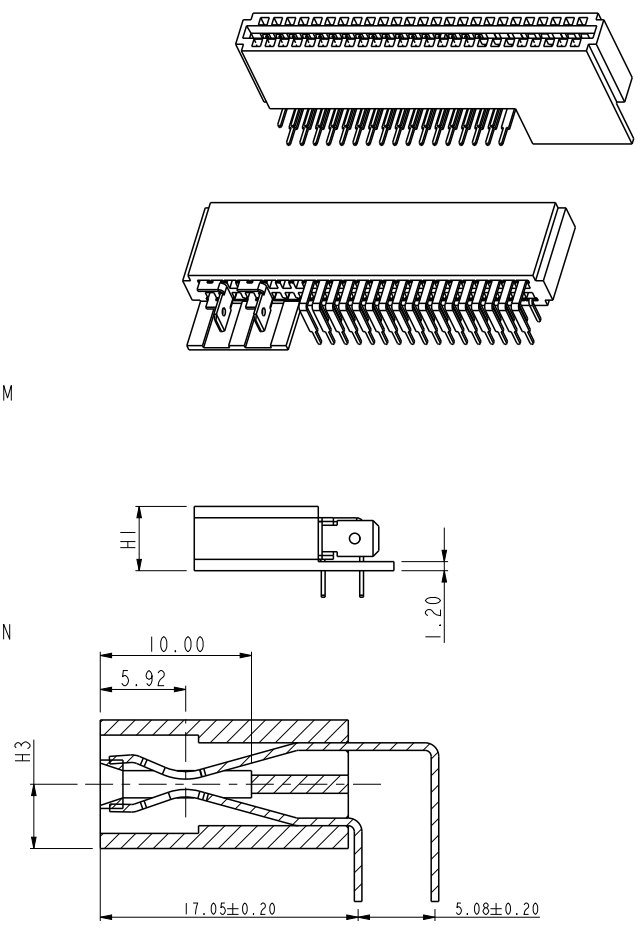
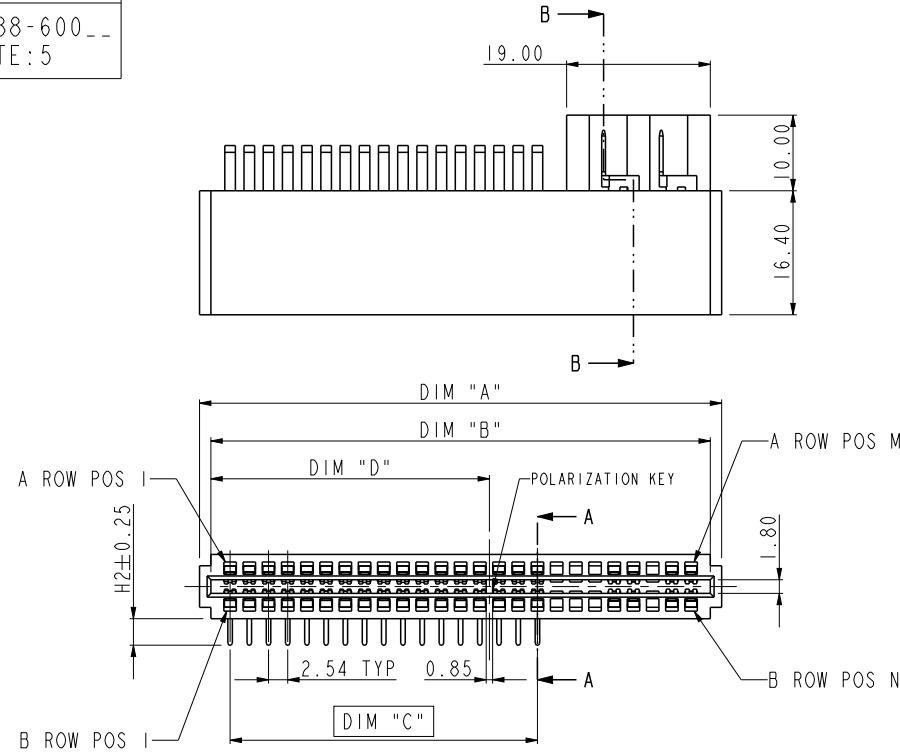
- MATERIAL:
HOUSING: HIGH TEMPERATURE THERMOPLASTIC, UL 94 V-0 RATED, BLACK.
TERMINAL: HIGH CONDUCTIVITY COPPER ALLOY.
- PRODUCT SPECIFICATION: GS-12-259.
- PACKAGE SPECIFICATION: GS-14-937
- THERE IS NO POLARIZATION KEY IN 10035388-102/102A/103/104/105/106/107/108/110/114/119/120/121/122/123/125/126/126A/202/203/204/205/206/207/500/700/800/802/902/903/904/905/909/910/911/912/913.
- PLATING SPEC:
10035388-XXX:
POWER PIN: CONTACT AREA - 30u" GOLD OVER 50u" NICKEL UNDER PLATED.
SOLDER TAIL - 100u" TIN/LEAD OVER 50u" NICKEL UNDER PLATED.
AC TERMINAL: 50u" NICKEL UNDER PLATED; 30u" GOLD ON CONTACT AREA.
10035388-XXXLF:
POWER PIN: CONTACT AREA - 30u" GOLD OVER 50u" NICKEL UNDER PLATED.
SOLDER TAIL - 100u" PURE MATTE TIN OVER 50u" NICKEL UNDER PLATED.
AC TERMINAL: 50u" NICKEL UNDER PLATED; 30u" GOLD ON CONTACT AREA.

- P/N 10035388-XXXLF MEETS EUROPEAN UNION DIRECTIVE AND OTHER COUNTRY REGULATIONS AS DESCRIBED IN GS-22-008.
- THE HOUSING WILL WITHSTAND EXPOSURE TO 260°C PEAK TEMPERATURE FOR 10 SECONDS IN A WAVE SOLDER APPLICATION WITH A CIRCUIT BOARD.
- PRODUCT MARKING ON HOUSING IN AREA SHOWN MEETS AFCI SPECIFICATION: GS-24-007.

| | | | | | | | | | | |
|---------------|----------|---------------------------------------|-------|------------|----------------|---------------------------|---------------------------------|-----------------------|--------------|----------|
| spec ref | | * | | dr | De-Ming Lu | 2014/08/06 | Amphenol Power Solutions | MM | scale | size |
| tolerance std | | TOLERANCES UNLESS OTHERWISE SPECIFIED | | eng | Ada Ye | 2022/01/14 | | ← | 1:1 | A4 |
| ISO 406 | | | | r vwr | - | - | | ecn no ELX-DG-43549-1 | | |
| ISO 1101 | | | | appr | Zheng, Pei-Min | 2022/01/17 | | rel level | | Released |
| surface | - linear | 0.X | ±0.5 | projection | title | POWER EDGE CARD CONNECTOR | dwg no | 10035388 | | rev |
| | | 0.XX | ±0.25 | | | | | cat. no. - | | |
| ISO 1302 | angular | 0° | ±2° | | product family | - | Product - Customer Drw | | sheet 1 of 7 | |

Creo File: APH-PWR-ACC; REV B; 2021-09-07

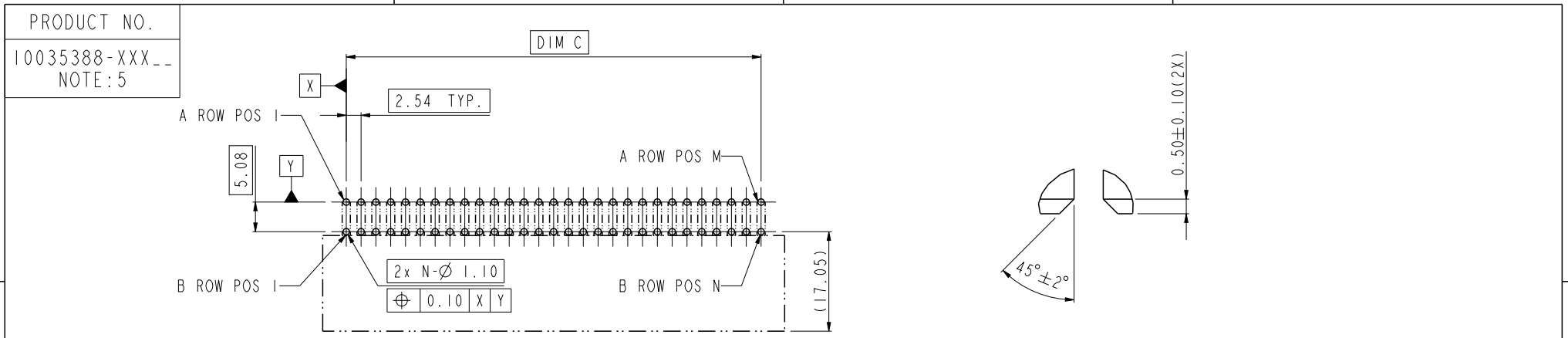
PRODUCT NO.
10035388-600__
NOTE: 5



NOTE:
(APPLY TO 10035388-600__ AS ADDITIONAL)
10. THE EMPTY POSITIONS ARE 18, 19, 20, 23.
11. THERE ARE 2 AC TERMINALS.

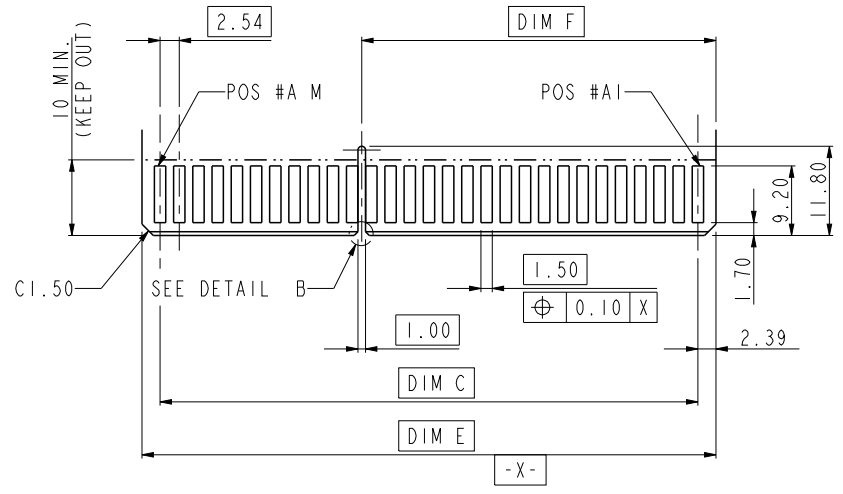
| | | | | | | | | | | |
|---------------------------------------|--|--------------------------|--|--|--|---|--|--------------------|---------|--------|
| spec ref * | | dr De-Ming Lu 2014/08/06 | | <h1 style="text-align: center;">Amphenol Power Solutions</h1> <p style="text-align: center;">A Division of Amphenol Corporation amphenol-icc.com</p> | | MM | | scale 1:1 | size A4 | |
| tolerance std | | eng Ada Ye 2022/01/14 | | | | ecn no ELX-DG-43549-1 | | rel level Released | | |
| ISO 406 ISO 1101 | | r vwr - | | | | appr Zheng, Pei-Min 2022/01/17 | | cat. no. 10035388 | | rev AS |
| TOLERANCES UNLESS OTHERWISE SPECIFIED | | projection | | title POWER EDGE CARD CONNECTOR WITHOUT SIGNAL ASSY | | product family - Product - Customer Drw | | sheet 2 of 7 | | |
| surface - | | linear | | 0.X ±0.5 | | angular | | 0° ±2° | | |
| ISO 1302 | | 0.XX ±0.25 | | 0.XXX ±0.10 | | 0° | | ±2° | | |

Creo File: APH-PWR-ACC_REV B_2021-09-07

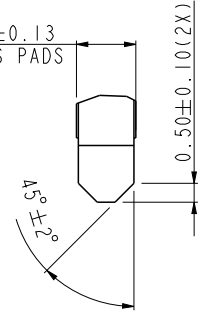
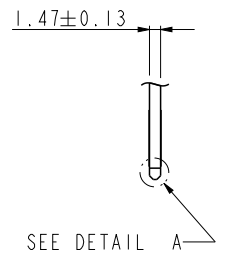


RECOMMENDED PCB LAYOUT

DETAIL B
SCALE 5:1



RECOMMENDED DAUGHTER CARD LAYOUT (TOP SIDE)


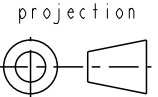


DETAIL A
SCALE 5:1

| | | | | | | | | | | | |
|---------------------|--|---------------------------------------|--|------------|----------------|---------------------------|--|------------------------|------------------|----------------|----------|
| spec ref | | * | | dr | De-Ming Lu | 2014/08/06 | <h1 style="margin: 0;">Amphenol Power Solutions</h1> | | MM | scale | size |
| tolerance std | | TOLERANCES UNLESS OTHERWISE SPECIFIED | | eng | Ada Ye | 2022/01/14 | | | ← | 1:1 | A4 |
| ISO 406 ISO 1101 | | | | rwr | - | - | | | ecn no | ELX-DG-43549-1 | |
| surface | | linear | | appr | Zheng, Pei-Min | 2022/01/17 | A Division of Amphenol Corporation | | amphenol-icc.com | rel level | Released |
| ISO 1302 | | angular | | projection | | title | | 10035388 | | rev | |
| | | 0.X ±0.5 | | ⊕ | | POWER EDGE CARD CONNECTOR | | cat. no. | | AS | |
| | | 0.XX ±0.25 | | - | | WITHOUT SIGNAL ASSY | | - | | - | |
| | | 0.XXX ±0.10 | | - | | product family | | Product - Customer Drw | | sheet 3 of 7 | |
| | | 0° ±2° | | - | | - | | - | | - | |

Creo File: APH-PWR-ACC; REV B; 2021-09-07

| | 1 | 2 | 3 | 4 | | | | | | | | | | | | | | | | | | | | | | | | | | | | | | | | | | | | | | | | | | | | | | | | | | | | | | | | | | | | | | | | | | | | | | | | | | | | | | | | | | |
|---|--------------------------------|--------|--------|--------|--------|--------|--------|------|------|------|---|----|----|---|---|---|---|---|---|---|-----|---|---|---|---|---|---|---|---|---|---|--|--|--|--|--|--|--|--|--|--|-----|--|--|--|--|--|--|--|--|--|--|--|--|--|--|--|--|--|--|--|--|----|--|--|--|--|--|--|--|--|--|--|-----|--|--|--|--|--|--|--|--|--|--|----|----|
| | PRAT NO. | DIM"A" | DIM"B" | DIM"C" | DIM"D" | DIM"E" | DIM"F" | H1 | H2 | H3 | PIN CONFIGURATION | M | N | | | | | | | | | | | | | | | | | | | | | | | | | | | | | | | | | | | | | | | | | | | | | | | | | | | | | | | | | | | | | | | | | | | | | | | | | |
| | 10035388-400 10035388-400LF | 61.42 | 58.42 | 53.34 | 29.21 | 58.12 | 29.06 | 8.50 | 3.50 | 4.25 | ALL LOADED | 22 | 22 | | | | | | | | | | | | | | | | | | | | | | | | | | | | | | | | | | | | | | | | | | | | | | | | | | | | | | | | | | | | | | | | | | | | | | | | | |
| A | 10035388-500 10035388-500LF | 76.66 | 73.66 | 68.58 | N/A | 73.36 | N/A | 8.50 | 3.50 | 4.25 | ALL LOADED | 28 | 28 | | | | | | | | | | | | | | | | | | | | | | | | | | | | | | | | | | | | | | | | | | | | | | | | | | | | | | | | | | | | | | | | | | | | | | | | | |
| | 10035388-600 10035388-600LF | 69.04 | 66.04 | 40.64 | 36.83 | 65.74 | 36.68 | 8.50 | 3.50 | 4.25 | AI <table border="1"><tr><td>P</td><td>P</td><td>P</td><td>P</td><td>P</td><td>P</td><td>P</td><td>P</td><td>P</td><td>P</td><td>P</td><td>P</td><td>P</td><td>P</td><td>P</td><td>P</td><td>P</td><td>P</td><td>P</td><td>P</td></tr><tr><td colspan="10"></td><td>A25</td><td colspan="10"></td></tr><tr><td colspan="10"></td><td>B1</td><td colspan="10"></td><td>B25</td><td colspan="10"></td></tr></table> | P | P | P | P | P | P | P | P | P | P | P | P | P | P | P | P | P | P | P | P | | | | | | | | | | | A25 | | | | | | | | | | | | | | | | | | | | | B1 | | | | | | | | | | | B25 | | | | | | | | | | | 25 | 25 |
| P | P | P | P | P | P | P | P | P | P | P | P | P | P | P | P | P | P | P | P | | | | | | | | | | | | | | | | | | | | | | | | | | | | | | | | | | | | | | | | | | | | | | | | | | | | | | | | | | | | | | | | | | | |
| | | | | | | | | | | A25 | | | | | | | | | | | | | | | | | | | | | | | | | | | | | | | | | | | | | | | | | | | | | | | | | | | | | | | | | | | | | | | | | | | | | | | | | | | | |
| | | | | | | | | | | B1 | | | | | | | | | | | B25 | | | | | | | | | | | | | | | | | | | | | | | | | | | | | | | | | | | | | | | | | | | | | | | | | | | | | | | | | | | | | | | | | |
| | 10035388-700 10035388-700LF | 86.82 | 83.82 | 78.74 | N/A | 83.52 | N/A | 8.50 | 3.50 | 4.25 | ALL LOADED | 32 | 32 | | | | | | | | | | | | | | | | | | | | | | | | | | | | | | | | | | | | | | | | | | | | | | | | | | | | | | | | | | | | | | | | | | | | | | | | | |
| | 10035388-800 10035388-800LF | 48.72 | 45.72 | 40.64 | N/A | 45.42 | N/A | 8.50 | 3.50 | 4.25 | ALL LOADED | 17 | 17 | | | | | | | | | | | | | | | | | | | | | | | | | | | | | | | | | | | | | | | | | | | | | | | | | | | | | | | | | | | | | | | | | | | | | | | | | |
| | 10035388-802 10035388-802LF | 48.72 | 45.72 | 40.64 | N/A | 45.42 | N/A | 8.50 | 3.50 | 4.25 | AI <table border="1"><tr><td>P</td><td>P</td><td>P</td><td>P</td><td>P</td><td>P</td><td>P</td><td>P</td><td>P</td><td>P</td><td>P</td><td>P</td><td>P</td><td>P</td><td>P</td><td>P</td><td>P</td><td>P</td><td>P</td><td>P</td></tr><tr><td colspan="10"></td><td>A17</td><td colspan="10"></td></tr><tr><td colspan="10"></td><td>B1</td><td colspan="10"></td><td>B17</td><td colspan="10"></td></tr></table> | P | P | P | P | P | P | P | P | P | P | P | P | P | P | P | P | P | P | P | P | | | | | | | | | | | A17 | | | | | | | | | | | | | | | | | | | | | B1 | | | | | | | | | | | B17 | | | | | | | | | | | 17 | 17 |
| P | P | P | P | P | P | P | P | P | P | P | P | P | P | P | P | P | P | P | P | | | | | | | | | | | | | | | | | | | | | | | | | | | | | | | | | | | | | | | | | | | | | | | | | | | | | | | | | | | | | | | | | | | |
| | | | | | | | | | | A17 | | | | | | | | | | | | | | | | | | | | | | | | | | | | | | | | | | | | | | | | | | | | | | | | | | | | | | | | | | | | | | | | | | | | | | | | | | | | |
| | | | | | | | | | | B1 | | | | | | | | | | | B17 | | | | | | | | | | | | | | | | | | | | | | | | | | | | | | | | | | | | | | | | | | | | | | | | | | | | | | | | | | | | | | | | | |
| | 10035388-900 10035388-900LF | 41.10 | 38.10 | 33.02 | 26.67 | 37.80 | 26.52 | 8.50 | 3.50 | 4.25 | ALL LOADED | 14 | 14 | | | | | | | | | | | | | | | | | | | | | | | | | | | | | | | | | | | | | | | | | | | | | | | | | | | | | | | | | | | | | | | | | | | | | | | | | |
| B | 10035388-903 10035388-903LF | 94.44 | 91.44 | 86.36 | N/A | 91.14 | N/A | 8.50 | 3.50 | 4.25 | AI <table border="1"><tr><td>P</td><td>P</td><td>P</td><td>P</td><td>P</td><td>P</td><td>P</td><td>P</td><td>P</td><td>P</td><td>P</td><td>P</td><td>P</td><td>P</td><td>P</td><td>P</td><td>P</td><td>P</td><td>P</td><td>P</td></tr><tr><td colspan="10"></td><td>A35</td><td colspan="10"></td></tr><tr><td colspan="10"></td><td>B1</td><td colspan="10"></td><td>B35</td><td colspan="10"></td></tr></table> | P | P | P | P | P | P | P | P | P | P | P | P | P | P | P | P | P | P | P | P | | | | | | | | | | | A35 | | | | | | | | | | | | | | | | | | | | | B1 | | | | | | | | | | | B35 | | | | | | | | | | | 35 | 35 |
| P | P | P | P | P | P | P | P | P | P | P | P | P | P | P | P | P | P | P | P | | | | | | | | | | | | | | | | | | | | | | | | | | | | | | | | | | | | | | | | | | | | | | | | | | | | | | | | | | | | | | | | | | | |
| | | | | | | | | | | A35 | | | | | | | | | | | | | | | | | | | | | | | | | | | | | | | | | | | | | | | | | | | | | | | | | | | | | | | | | | | | | | | | | | | | | | | | | | | | |
| | | | | | | | | | | B1 | | | | | | | | | | | B35 | | | | | | | | | | | | | | | | | | | | | | | | | | | | | | | | | | | | | | | | | | | | | | | | | | | | | | | | | | | | | | | | | |
| | 10035388-904 10035388-904LF | 94.44 | 91.44 | 86.36 | N/A | 91.14 | N/A | 8.50 | 3.50 | 4.25 | AI <table border="1"><tr><td>P</td><td>P</td><td>P</td><td>P</td><td>P</td><td>P</td><td>P</td><td>P</td><td>P</td><td>P</td><td>P</td><td>P</td><td>P</td><td>P</td><td>P</td><td>P</td><td>P</td><td>P</td><td>P</td><td>P</td></tr><tr><td colspan="10"></td><td>A35</td><td colspan="10"></td></tr><tr><td colspan="10"></td><td>B1</td><td colspan="10"></td><td>B35</td><td colspan="10"></td></tr></table> | P | P | P | P | P | P | P | P | P | P | P | P | P | P | P | P | P | P | P | P | | | | | | | | | | | A35 | | | | | | | | | | | | | | | | | | | | | B1 | | | | | | | | | | | B35 | | | | | | | | | | | 35 | 35 |
| P | P | P | P | P | P | P | P | P | P | P | P | P | P | P | P | P | P | P | P | | | | | | | | | | | | | | | | | | | | | | | | | | | | | | | | | | | | | | | | | | | | | | | | | | | | | | | | | | | | | | | | | | | |
| | | | | | | | | | | A35 | | | | | | | | | | | | | | | | | | | | | | | | | | | | | | | | | | | | | | | | | | | | | | | | | | | | | | | | | | | | | | | | | | | | | | | | | | | | |
| | | | | | | | | | | B1 | | | | | | | | | | | B35 | | | | | | | | | | | | | | | | | | | | | | | | | | | | | | | | | | | | | | | | | | | | | | | | | | | | | | | | | | | | | | | | | |
| | 10035388-905 10035388-905LF | 94.44 | 91.44 | 86.36 | N/A | 91.14 | N/A | 8.50 | 3.50 | 4.25 | ALL LOADED | 35 | 35 | | | | | | | | | | | | | | | | | | | | | | | | | | | | | | | | | | | | | | | | | | | | | | | | | | | | | | | | | | | | | | | | | | | | | | | | | |
| | 10035388-907 10035388-907LF | 53.80 | 50.80 | 45.72 | 26.27 | 50.50 | 26.52 | 8.50 | 3.50 | 4.25 | ALL LOADED | 19 | 19 | | | | | | | | | | | | | | | | | | | | | | | | | | | | | | | | | | | | | | | | | | | | | | | | | | | | | | | | | | | | | | | | | | | | | | | | | |
| | 10035388-908 10035388-908LF | 61.42 | 58.42 | 53.34 | 29.21 | 58.12 | 29.06 | 8.50 | 3.50 | 4.25 | AI <table border="1"><tr><td>P</td><td>P</td><td>P</td><td>P</td><td>P</td><td>P</td><td>P</td><td>P</td><td>P</td><td>P</td><td>P</td><td>P</td><td>P</td><td>P</td><td>P</td><td>P</td><td>P</td><td>P</td><td>P</td><td>P</td></tr><tr><td colspan="10"></td><td>A22</td><td colspan="10"></td></tr><tr><td colspan="10"></td><td>B1</td><td colspan="10"></td><td>B22</td><td colspan="10"></td></tr></table> | P | P | P | P | P | P | P | P | P | P | P | P | P | P | P | P | P | P | P | P | | | | | | | | | | | A22 | | | | | | | | | | | | | | | | | | | | | B1 | | | | | | | | | | | B22 | | | | | | | | | | | 22 | 22 |
| P | P | P | P | P | P | P | P | P | P | P | P | P | P | P | P | P | P | P | P | | | | | | | | | | | | | | | | | | | | | | | | | | | | | | | | | | | | | | | | | | | | | | | | | | | | | | | | | | | | | | | | | | | |
| | | | | | | | | | | A22 | | | | | | | | | | | | | | | | | | | | | | | | | | | | | | | | | | | | | | | | | | | | | | | | | | | | | | | | | | | | | | | | | | | | | | | | | | | | |
| | | | | | | | | | | B1 | | | | | | | | | | | B22 | | | | | | | | | | | | | | | | | | | | | | | | | | | | | | | | | | | | | | | | | | | | | | | | | | | | | | | | | | | | | | | | | |
| C | 10035388-909 10035388-909LF | 48.72 | 45.72 | 40.64 | N/A | 45.42 | N/A | 8.50 | 3.50 | 4.25 | AI <table border="1"><tr><td>P</td><td>P</td><td>P</td><td>P</td><td>P</td><td>P</td><td>P</td><td>P</td><td>P</td><td>P</td><td>P</td><td>P</td><td>P</td><td>P</td><td>P</td><td>P</td><td>P</td><td>P</td><td>P</td><td>P</td></tr><tr><td colspan="10"></td><td>A17</td><td colspan="10"></td></tr><tr><td colspan="10"></td><td>B1</td><td colspan="10"></td><td>B17</td><td colspan="10"></td></tr></table> | P | P | P | P | P | P | P | P | P | P | P | P | P | P | P | P | P | P | P | P | | | | | | | | | | | A17 | | | | | | | | | | | | | | | | | | | | | B1 | | | | | | | | | | | B17 | | | | | | | | | | | 17 | 17 |
| P | P | P | P | P | P | P | P | P | P | P | P | P | P | P | P | P | P | P | P | | | | | | | | | | | | | | | | | | | | | | | | | | | | | | | | | | | | | | | | | | | | | | | | | | | | | | | | | | | | | | | | | | | |
| | | | | | | | | | | A17 | | | | | | | | | | | | | | | | | | | | | | | | | | | | | | | | | | | | | | | | | | | | | | | | | | | | | | | | | | | | | | | | | | | | | | | | | | | | |
| | | | | | | | | | | B1 | | | | | | | | | | | B17 | | | | | | | | | | | | | | | | | | | | | | | | | | | | | | | | | | | | | | | | | | | | | | | | | | | | | | | | | | | | | | | | | |
| | 10035388-910 10035388-910LF | 94.44 | 91.44 | 86.36 | N/A | 91.14 | N/A | 8.50 | 3.50 | 4.25 | AI <table border="1"><tr><td>P</td><td>P</td><td>P</td><td>P</td><td>P</td><td>P</td><td>P</td><td>P</td><td>P</td><td>P</td><td>P</td><td>P</td><td>P</td><td>P</td><td>P</td><td>P</td><td>P</td><td>P</td><td>P</td><td>P</td></tr><tr><td colspan="10"></td><td>A35</td><td colspan="10"></td></tr><tr><td colspan="10"></td><td>B1</td><td colspan="10"></td><td>B35</td><td colspan="10"></td></tr></table> | P | P | P | P | P | P | P | P | P | P | P | P | P | P | P | P | P | P | P | P | | | | | | | | | | | A35 | | | | | | | | | | | | | | | | | | | | | B1 | | | | | | | | | | | B35 | | | | | | | | | | | 35 | 35 |
| P | P | P | P | P | P | P | P | P | P | P | P | P | P | P | P | P | P | P | P | | | | | | | | | | | | | | | | | | | | | | | | | | | | | | | | | | | | | | | | | | | | | | | | | | | | | | | | | | | | | | | | | | | |
| | | | | | | | | | | A35 | | | | | | | | | | | | | | | | | | | | | | | | | | | | | | | | | | | | | | | | | | | | | | | | | | | | | | | | | | | | | | | | | | | | | | | | | | | | |
| | | | | | | | | | | B1 | | | | | | | | | | | B35 | | | | | | | | | | | | | | | | | | | | | | | | | | | | | | | | | | | | | | | | | | | | | | | | | | | | | | | | | | | | | | | | | |
| | 10035388-911 10035388-911LF | 53.80 | 50.80 | 45.72 | N/A | 50.50 | N/A | 8.50 | 3.50 | 4.25 | ALL LOADED | 19 | 19 | | | | | | | | | | | | | | | | | | | | | | | | | | | | | | | | | | | | | | | | | | | | | | | | | | | | | | | | | | | | | | | | | | | | | | | | | |
| | 10035388-912 10035388-912LF | 41.10 | 38.10 | 33.02 | N/A | 37.80 | N/A | 8.50 | 3.50 | 4.25 | AI <table border="1"><tr><td>P</td><td>P</td><td>P</td><td>P</td><td>P</td><td>P</td><td>P</td><td>P</td><td>P</td><td>P</td><td>P</td><td>P</td><td>P</td><td>P</td><td>P</td><td>P</td><td>P</td><td>P</td><td>P</td><td>P</td></tr><tr><td colspan="10"></td><td>A14</td><td colspan="10"></td></tr><tr><td colspan="10"></td><td>B1</td><td colspan="10"></td><td>B14</td><td colspan="10"></td></tr></table> | P | P | P | P | P | P | P | P | P | P | P | P | P | P | P | P | P | P | P | P | | | | | | | | | | | A14 | | | | | | | | | | | | | | | | | | | | | B1 | | | | | | | | | | | B14 | | | | | | | | | | | 14 | 14 |
| P | P | P | P | P | P | P | P | P | P | P | P | P | P | P | P | P | P | P | P | | | | | | | | | | | | | | | | | | | | | | | | | | | | | | | | | | | | | | | | | | | | | | | | | | | | | | | | | | | | | | | | | | | |
| | | | | | | | | | | A14 | | | | | | | | | | | | | | | | | | | | | | | | | | | | | | | | | | | | | | | | | | | | | | | | | | | | | | | | | | | | | | | | | | | | | | | | | | | | |
| | | | | | | | | | | B1 | | | | | | | | | | | B14 | | | | | | | | | | | | | | | | | | | | | | | | | | | | | | | | | | | | | | | | | | | | | | | | | | | | | | | | | | | | | | | | | |

| | | | | | | | | |
|---------------|---------------------------------------|-------|----------------|---|---|------------------------------------|------------------|-----------|
| spec ref | * | dr | De-Ming Lu | 2014/08/06 |  | MM | scale | size |
| tolerance std | TOLERANCES UNLESS OTHERWISE SPECIFIED | eng | Ada Ye | 2022/01/14 | | ← | 1:1 | A4 |
| ISO 406 | | r vwr | - | - | | ec n no | ELX-DG-43549-1 | |
| ISO 1101 | | appr | Zheng, Pei-Min | 2022/01/17 | | A Division of Amphenol Corporation | amphenol-icc.com | rel level |
| surface | linear | 0.X | ±0.5 |  | POWER EDGE CARD CONNECTOR WITHOUT SIGNAL ASSY | 10035388 | rev AS | |
| | | 0.XX | ±0.25 | | | | | |
| | | 0.XXX | ±0.10 | | | | | |
| ISO 1302 | angular | 0° | ±2° | product family | - | Product - Customer Drw | sheet 5 of 7 | |

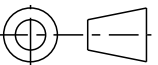
Creo Title:APH-PWR-ACC;REV B;2021-03-07

| | PRAT NO. | DIM"A" | DIM"B" | DIM"C" | DIM"D" | DIM"E" | DIM"F" | H1 | H2 | H3 | PIN CONFIGURATION | M | N |
|---|--------------------------------|--------|--------|--------|--------|--------|--------|------|------|------|--------------------|----|----|
| A | 10035388-107 10035388-107LF | 69.04 | 66.04 | 60.96 | N/A | 65.74 | N/A | 8.50 | 3.50 | 4.25 | A1 A25 B1 B25 | 25 | 25 |
| | 10035388-913 10035388-913LF | 25.86 | 22.86 | 17.78 | N/A | 22.56 | N/A | 8.50 | 3.50 | 4.25 | ALL LOADED | 8 | 8 |
| | 10035388-902 10035388-902LF | 94.44 | 91.44 | 86.36 | N/A | 91.14 | N/A | 8.50 | 3.50 | 4.25 | A1 A35 B1 B35 | 35 | 35 |
| B | 10035388-108 10035388-108LF | 69.04 | 66.04 | 60.96 | N/A | 65.74 | N/A | 8.50 | 3.50 | 4.25 | A1 A25 B1 B25 | 25 | 25 |
| | 10035388-206 10035388-206LF | 84.28 | 81.28 | 76.20 | N/A | 80.98 | N/A | 8.50 | 3.50 | 4.25 | A1 A31 B1 B31 | 31 | 31 |
| | 10035388-110 10035388-110LF | 69.04 | 66.04 | 60.96 | N/A | 65.74 | N/A | 8.50 | 3.50 | 4.25 | A1 A25 B1 B25 | 25 | 25 |
| C | 10035388-204 10035388-204LF | 81.74 | 78.74 | 73.66 | N/A | 78.44 | N/A | 8.50 | 3.50 | 4.25 | ALL LOADED | 30 | 30 |
| | 10035388-114 10035388-114LF | 41.10 | 38.10 | 33.02 | N/A | 37.80 | N/A | 8.50 | 3.50 | 4.25 | ALL LOADED | 14 | 14 |
| | 10035388-119 10035388-119LF | 94.44 | 91.44 | 86.36 | N/A | 91.14 | N/A | 8.50 | 3.50 | 4.25 | A1 A35 B1 B35 | 35 | 35 |
| D | 10035388-120 10035388-120LF | 69.04 | 66.04 | 60.96 | N/A | 65.74 | N/A | 8.50 | 3.50 | 4.25 | A1 A25 B1 B25 | 25 | 25 |
| | 10035388-121 10035388-121LF | 48.72 | 45.72 | 40.64 | N/A | 45.42 | N/A | 8.50 | 3.50 | 4.25 | A1 A17 B1 B17 | 17 | 17 |
| | 10035388-122 10035388-122LF | 76.66 | 73.66 | 68.58 | N/A | 73.36 | N/A | 8.50 | 3.50 | 4.25 | A1 A28 B1 B28 | 28 | 28 |
| E | 10035388-123 10035388-123LF | 69.04 | 66.04 | 60.69 | N/A | 65.74 | N/A | 8.50 | 3.50 | 4.25 | A1 A25 B1 B25 | 25 | 25 |
| | 10035388-125 10035388-125LF | 41.10 | 38.10 | 33.02 | N/A | 37.80 | N/A | 8.50 | 3.50 | 4.25 | A1 A14 B1 B14 | 14 | 14 |
| | 10035388-126 10035388-126LF | 41.10 | 38.10 | 33.02 | N/A | 37.80 | N/A | 8.50 | 3.50 | 4.25 | A1 A14 B1 B14 | 14 | 14 |
| | 10035388-207 10035388-207LF | 81.74 | 78.74 | 73.66 | N/A | 78.44 | N/A | 8.50 | 3.50 | 4.25 | A1 A30 B1 B30 | 30 | 30 |

| | | | | | | | | | | | | | | | | | | | | | |
|---------------|---|----------------|----------------|------------------------|---|-----------|----------------|------|-------|-------|---------|----|-----|------------|--|-------|---------------------------|----------|----------|-----|----|
| spec ref | * | dr | De-Ming Lu | 2014/08/06 | <h1>Amphenol Power Solutions</h1> <p>A Division of Amphenol Corporation amphenol-icc.com</p> | MM | scale | size | | | | | | | | | | | | | |
| tolerance std | TOLERANCES UNLESS OTHERWISE SPECIFIED | eng | Ada Ye | 2022/01/14 | | ← | 1:1 | A4 | | | | | | | | | | | | | |
| ISO 406 | | r vwr | - | - | | ec n no | ELX-DG-43549-1 | | | | | | | | | | | | | | |
| ISO 1101 | | appr | Zheng, Pei-Min | 2022/01/17 | | rel level | Released | | | | | | | | | | | | | | |
| ISO 1302 | <table border="1"> <tr> <td>linear</td> <td>0.X</td> <td>±0.5</td> </tr> <tr> <td></td> <td>0.XX</td> <td>±0.25</td> </tr> <tr> <td></td> <td>0.XXX</td> <td>±0.10</td> </tr> <tr> <td>angular</td> <td>0°</td> <td>±2°</td> </tr> </table> | linear | 0.X | ±0.5 | | 0.XX | ±0.25 | | 0.XXX | ±0.10 | angular | 0° | ±2° | projection | | title | POWER EDGE CARD CONNECTOR | cat. no. | 10035388 | rev | AS |
| linear | 0.X | ±0.5 | | | | | | | | | | | | | | | | | | | |
| | 0.XX | ±0.25 | | | | | | | | | | | | | | | | | | | |
| | 0.XXX | ±0.10 | | | | | | | | | | | | | | | | | | | |
| angular | 0° | ±2° | | | | | | | | | | | | | | | | | | | |
| | | product family | - | Product - Customer Drw | sheet 6 of 7 | | | | | | | | | | | | | | | | |

Creo File:APH-PWR-ACC;REV B;2021-09-07

| PRAT NO. | DIM"A" | DIM"B" | DIM"C" | DIM"D" | DIM"E" | DIM"F" | H1 | H2 | H3 | PIN CONFIGURATION | M | N | | | | | | | | | | | | |
|--|--------|--------|--------|--------|--------|--------|------|------|------|--|----|----|---|---|---|---|---|---|---|---|---|---|----|----|
| 10035388-126A 10035388-126ALF | 41.10 | 38.10 | 33.02 | N/A | 37.80 | N/A | 8.50 | 5.00 | 4.25 | A1 <table border="1"><tr><td>P</td><td>P</td><td>P</td><td>P</td><td>P</td><td>P</td></tr></table> A14 B1 <table border="1"><tr><td>P</td><td>P</td><td>P</td><td>P</td><td>P</td><td>P</td></tr></table> B14 | P | P | P | P | P | P | P | P | P | P | P | P | 14 | 14 |
| P | P | P | P | P | P | | | | | | | | | | | | | | | | | | | |
| P | P | P | P | P | P | | | | | | | | | | | | | | | | | | | |
| 10035388-400A 10035388-400ALF | 61.42 | 58.42 | 53.34 | 29.21 | 58.12 | 29.06 | 8.50 | 5.00 | 4.25 | ALL LOADED | 22 | 22 | | | | | | | | | | | | |
|  10035388-102A 10035388-102ALF | 69.04 | 66.04 | 60.96 | N/A | 65.74 | N/A | 8.50 | 5.00 | 4.25 | ALL LOADED | 25 | 25 | | | | | | | | | | | | |

| | | | | | | | | | | | | | |
|----------------------|--|---------------|--|--------------------------------------|--|--|--|--|--|-----------------|--|---|--|
| spec ref * | | dr De-Ming Lu | | 2014/08/06 | | <h1 style="text-align: center;">Amphenol Power Solutions</h1> | | MM | | scale 1:1 | | size A4 | |
| tolerance std | | eng Ada Ye | | 2022/01/14 | | | | ecn no ELX-DG-43549-1 | | | | | |
| ISO 406 ISO 1101 | | r vwr - | | - | | | | rel level Released | | | | | |
| surface - | | linear | | 0.X ±0.5 | | projection  | | title POWER EDGE CARD CONNECTOR WITHOUT SIGNAL ASSY | | dwg no 10035388 | | rev AS | |
| ISO 1302 | | angular | | 0.XXX ±0.25 0.XXX ±0.10 0° ±2° | | | | | | cat. no. - | | product family - Product - Customer Drw | |
| apppr Zheng, Pei-Min | | | | 2022/01/17 | | A Division of Amphenol Corporation amphenol-icc.com | | | | | | | |

Creo File:APH-PWR-ACC;REV B;2021-09-07