

LOW VOLTAGE VIDEO AMPLIFIER WITH LPF

■ GENERAL DESCRIPTION

The NJW1351 is a Low Voltage Video Amplifier with LPF circuit. By the internal charge pump circuit, output capacitor is unnecessary.

The NJW1351 features low power and small package, and is suitable for low power design on downsizing of portable video system and system with video output.

Moreover, the following voltage gain variations are arranged.

- NJW1350 (Gain=12dB)
- NJW1352 (Gain=9dB)
- NJW1353 (Gain=16dB)

■ FEATURES

- Operating Voltage 2.5 to 3.45V
- Output coupling capacitor-less
- 6dB amplifier
- Internal 75Ω Driver Circuit (2-system drive)
- 6th order LPF -38dB at 19MHz typ.
- Power Save Circuit
- Bi-CMOS Technology
- Package Outline

MSOP8(TVSP8)*, ESON8-U1, SON10
*MEET JEDEC MO-187-DA / THIN TYPE

■ PACKAGE OUTLINE



NJW1351RB1

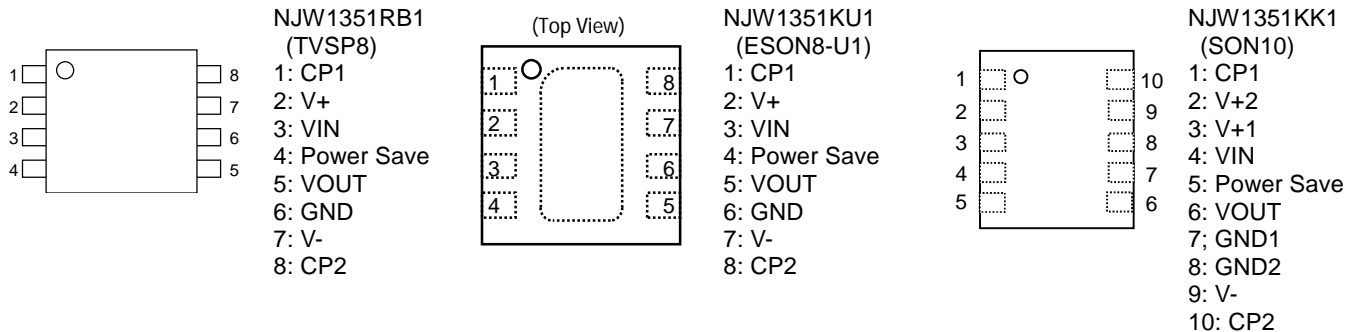


NJW1351KK1



NJW1351KU1

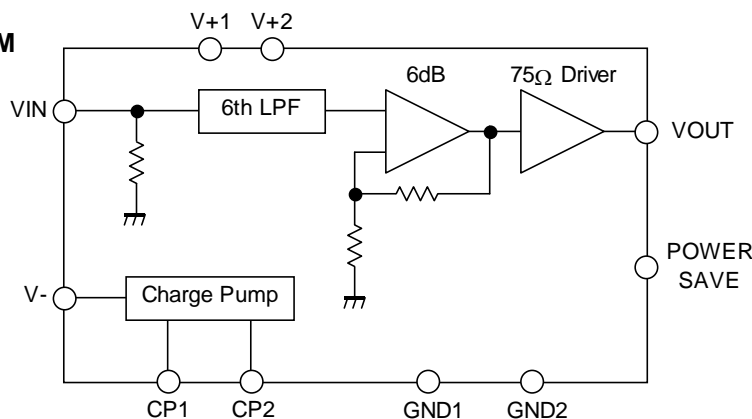
■ PIN CONFIGURATION



Exposed Pad at NJW1351KU1:

Connect the Exposed Pad on land of float, or connect to be the same potential as the IC of the V- terminal.

■ BLOCK DIAGRAM



(NOTE)

TVSP8, ESON8-U1: V+1 and V+2 are the same pins, and GND1 and GND2 are the same pins.

NJW1351

■ ABSOLUTE MAXIMUM RATINGS (Ta=25°C)

PARAMETER	SYMBOL	RATINGS	UNIT
Supply Voltage	V ⁺	3.55	V
Power Dissipation	P _D	MSOP8(TVSP8):320 SON10:250 ESON8-U1:905(Note1)	mW
Operating Temperature Range	Topr	-40 to +85	°C
Storage Temperature Range	Tstg	-55 to +125	°C

(Note1) Mounted on glass epoxy board. (101.5 x 114.5 x 1.6mm: based on EIA/JEDEC standard, 4Layers FR-4, with Exposed Pad)

■ RECOMMENDED OPERATING CONDITION (Ta=25°C)

PARAMETER	SYMBOL	TEST CONDITION	MIN.	TYP.	MAX.	UNIT
Operating Voltage	Vopr		2.5	-	3.45	V

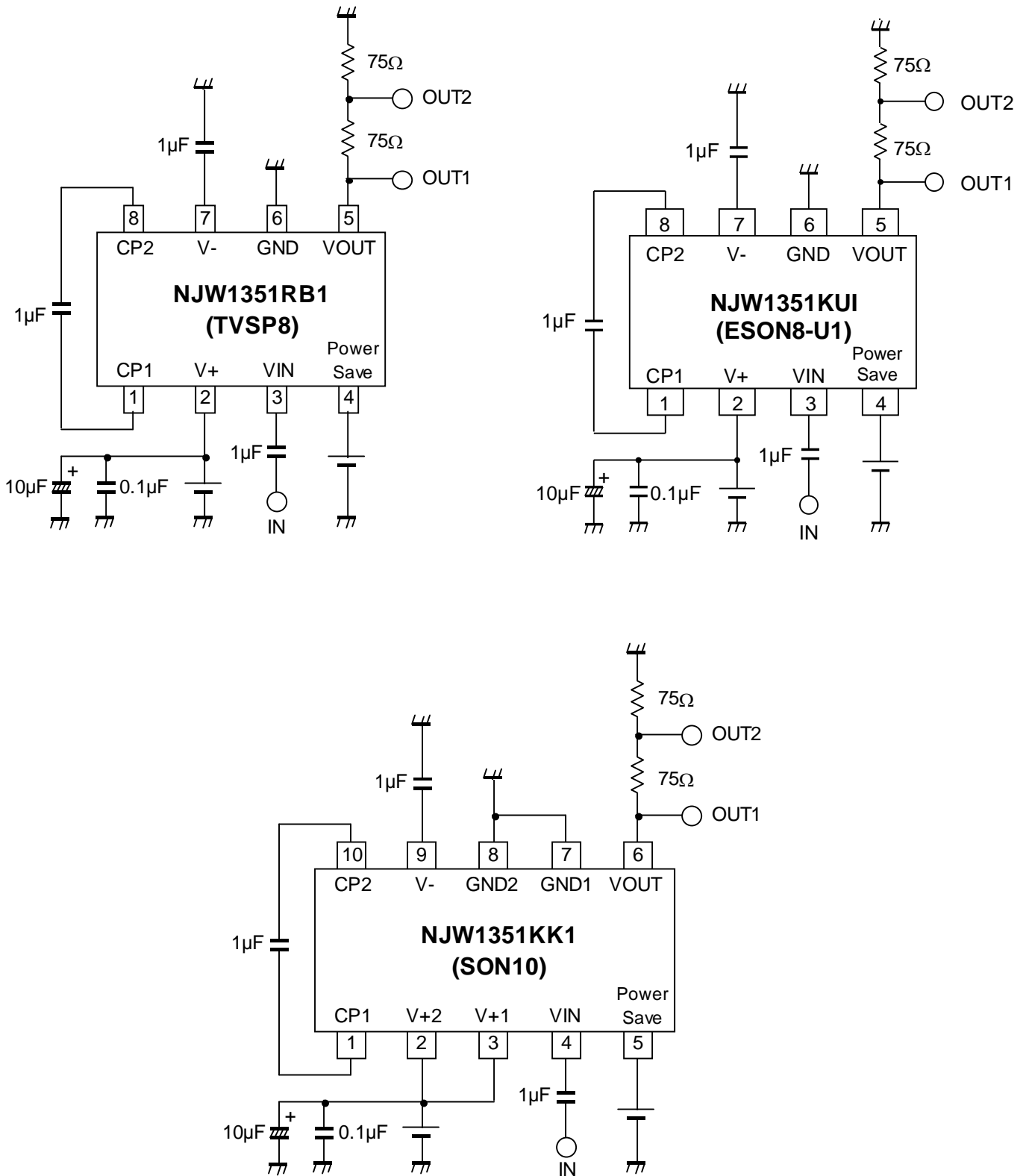
■ ELECTRICAL CHARACTERISTICS (V⁺=3.0V, R_L=150Ω, Ta=25°C)

PARAMETER	SYMBOL	TEST CONDITION	MIN.	TYP.	MAX.	UNIT
Operating Current	I _{CC}	No Signal	-	14.0	20.0	mA
Operating Current at Power Save	I _{save}	No Signal, Power Save Mode	-	0	1.0	μA
Maximum Output Voltage Swing	V _{om}	f=100kHz, THD=1%	4.5	5.2	-	V _{p-p}
Voltage Gain	G _v	V _{in} =100kHz, 1.0V _{p-p} , Input Sine Signal	6.0	6.4	6.8	dB
Low Pass Filter Characteristic	G _{fy} 4.5M	V _{in} =4.5MHz/100kHz, 1.0V _{p-p}	-0.75	-0.05	0.25	dB
	G _{fy} 8M	V _{in} =8MHz/100kHz, 1.0V _{p-p}	-7.0	-3.0	-1.0	
	G _{fy} 19M	V _{in} =19MHz/100kHz, 1.0V _{p-p}	-	-38	-23	
Differential Gain	DG	V _{in} =1.0V _{p-p} , 10step Video Signal	-	0.5	-	%
Differential Phase	DP	V _{in} =1.0V _{p-p} , 10step Video Signal	-	0.5	-	deg
S/N Ratio	SN _v	100kHz to 6MHz, V _{in} =1.0V _{p-p} 100% White Video Signal, R _L =75Ω	-	+70	-	dB
Switching Noise Level	N _{swpl}	R _L =75Ω, 10% White Video Signal input	-	4.0	7.0	mV _{p-p}
2nd. Distortion	H _v	V _{in} =1.0V _{p-p} , Sine Signal , 3.58MHz, R _L =75Ω	-	-60	-	dB
SW Change Voltage High Level	V _{thH}		1.25	-	V ⁺	V
SW Change Voltage Low Level	V _{thL}		0	-	0.45	

■ CONTROL TERMINAL

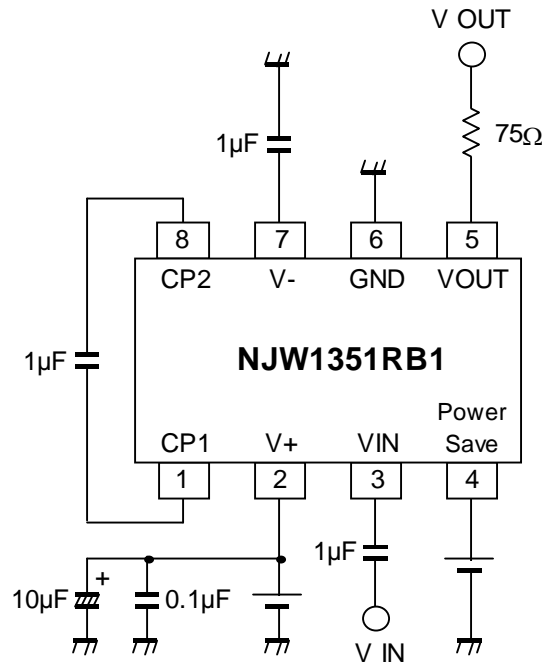
PARAMETER	STATUS	NOTE
Power Save	H	Power Save: OFF
	L	Power Save: ON (Mute)
	OPEN	Power Save: ON (Mute)

■ TEST CIRCUIT

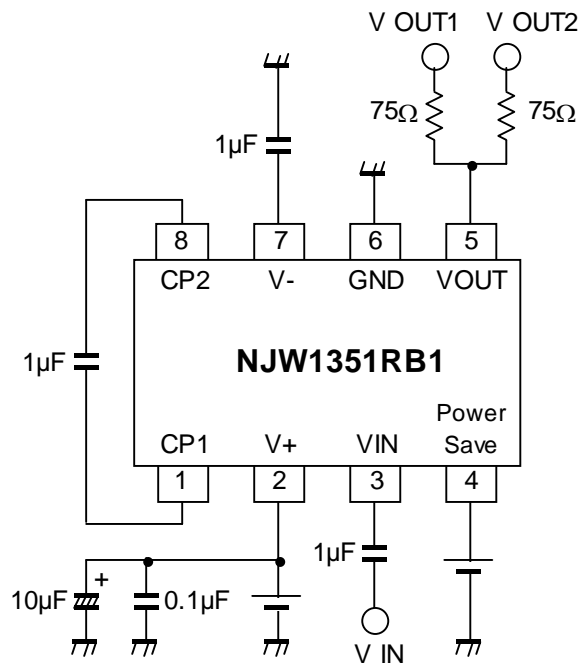


APPLICATION CIRCUIT (TVSP8,ESON8-U1)

(1) Standard circuit



(2) Two-line driving circuit



■ PIN FUNCTION (TVSP8,ESON8-U1)

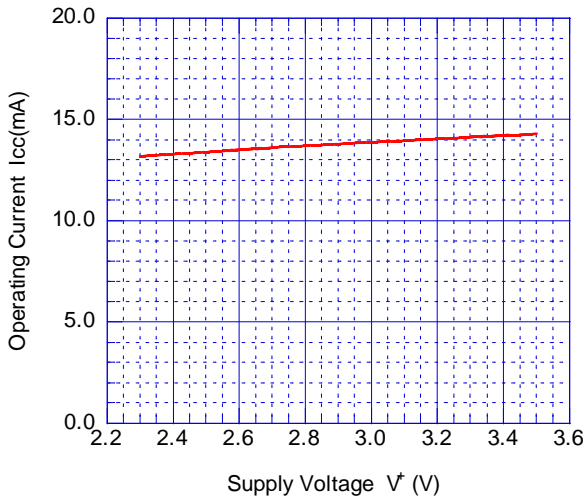
PIN NO.	PIN NAME	INSIDE EQUIVALENT CIRCUIT
1	CP1	
2	V ⁺	-
3	Vin	
4	Power Save	
5	Vout	
6	GND	-
7	V ⁻	-
8	CP2	

■ PIN FUNCTION(SON10)

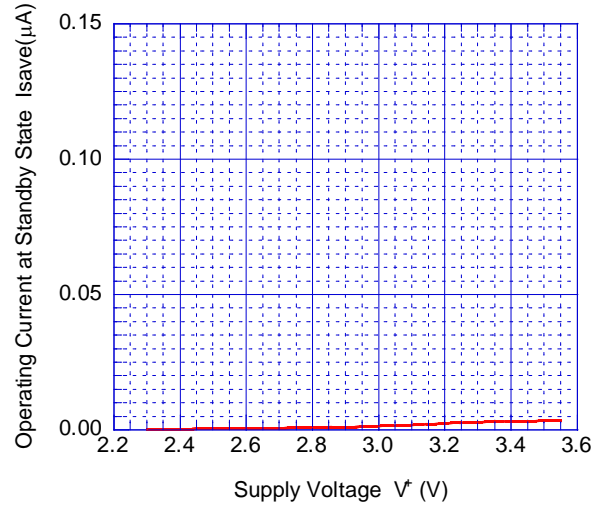
PIN NO.	PIN NAME	INSIDE EQUIVALENT CIRCUIT
1	CP1	
2,3	V ⁺ 2,V ⁺ 1	-
4	Vin	
5	Power Save	
6	Vout	
7,8	GND1,GND2	-
9	V ⁻	-
10	CP2	

■ TYPICAL CHARACTERISTICS

Operating Current vs. Supply Voltage

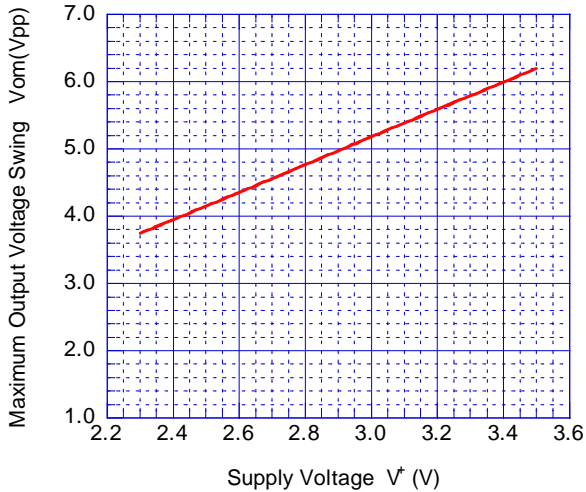


Operating Current at Standby State vs. Supply Voltage



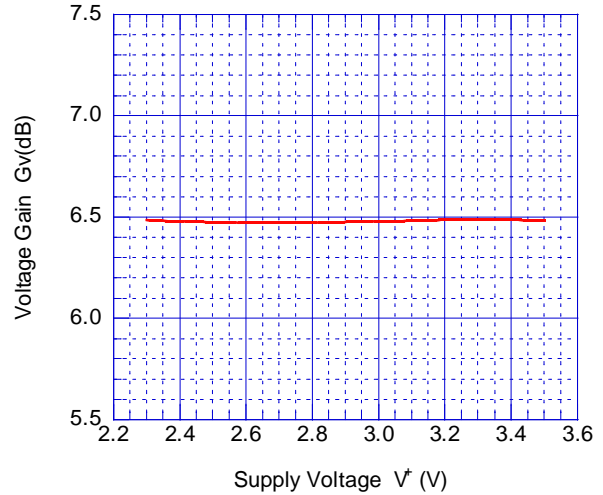
Maximum Output Voltage Swing vs. Supply Voltage

Total Harmonic Distortion=1%, 100kHz



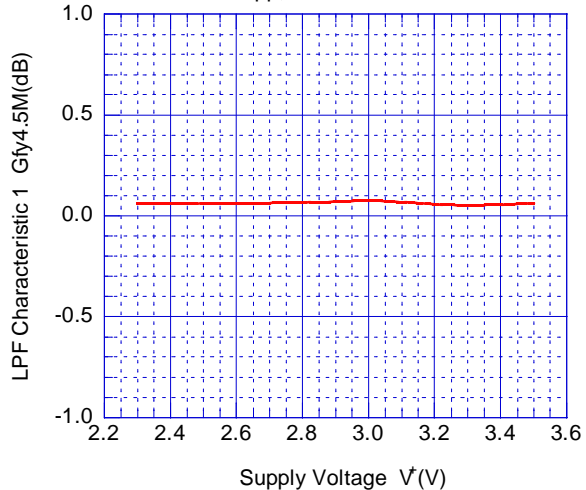
Voltage Gain vs. Supply Voltage

1.0Vpp, 100kHz sinewave signal input



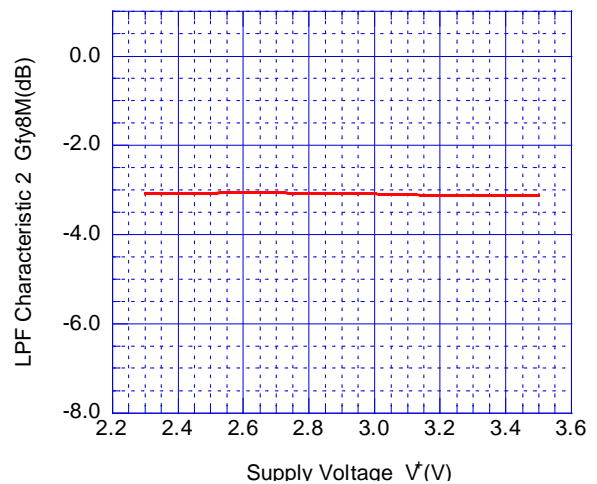
Low Pass Filter Characteristic 1 vs. Supply Voltage

1.0Vpp, 4.5MHz/100kHz



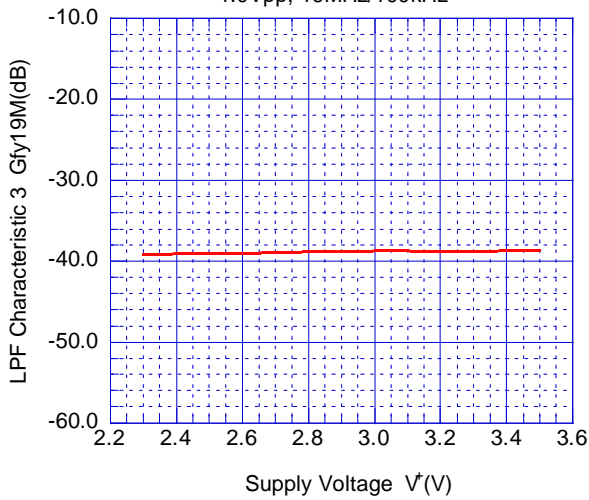
Low Pass Filter Characteristic 2 vs. Supply Voltage

1.0Vpp, 8MHz/100kHz

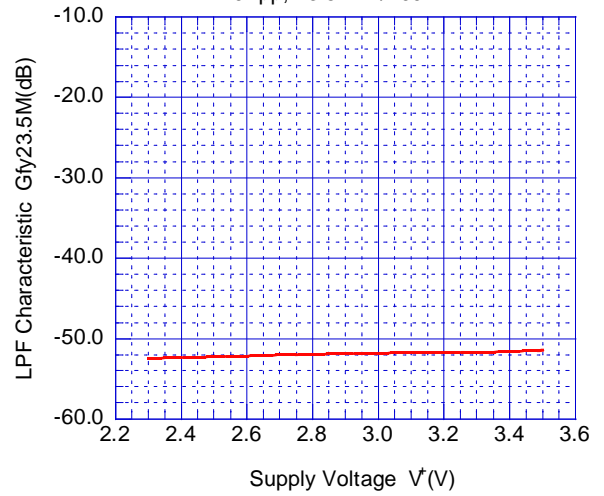


TYPICAL CHARACTERISTICS

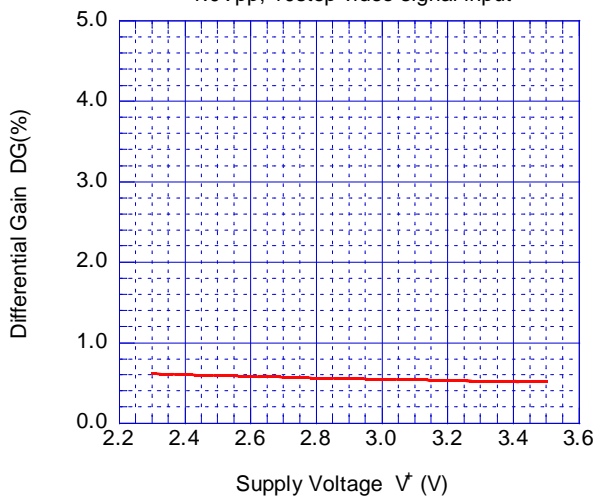
Low Pass Filter Characteristic 3 vs. Supply Voltage
1.0Vpp, 19MHz/100kHz



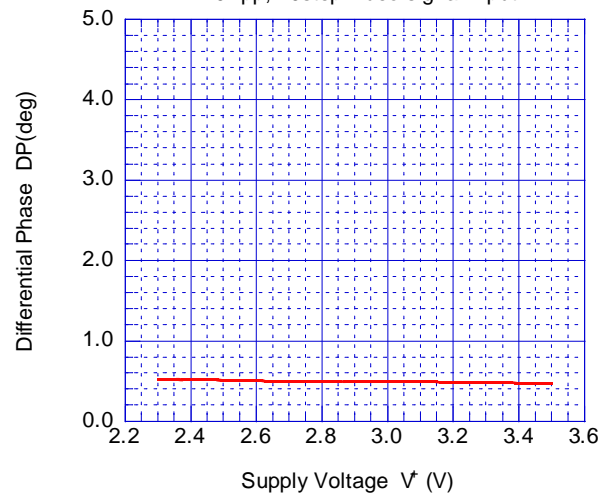
Low Pass Filter Characteristic vs. Supply Voltage
1.0Vpp, 23.5MHz/100kHz



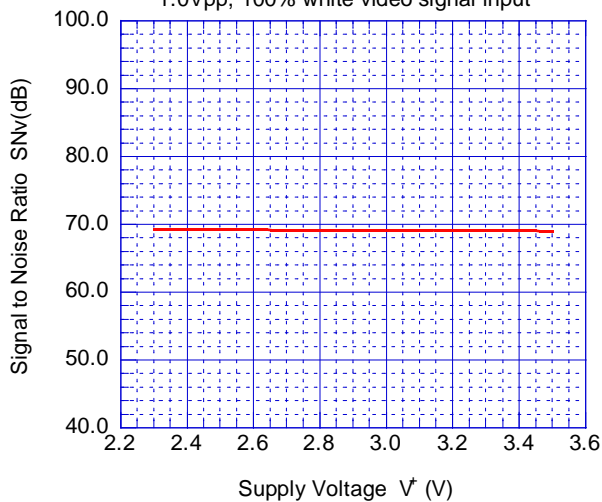
Differential Gain vs. Supply Voltage
1.0Vpp, 10step video signal input



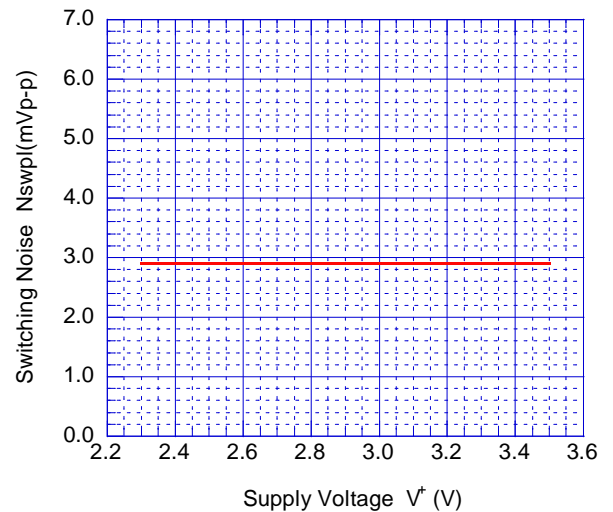
Differential Phase vs. Supply Voltage
1.0Vpp, 10step video signal input



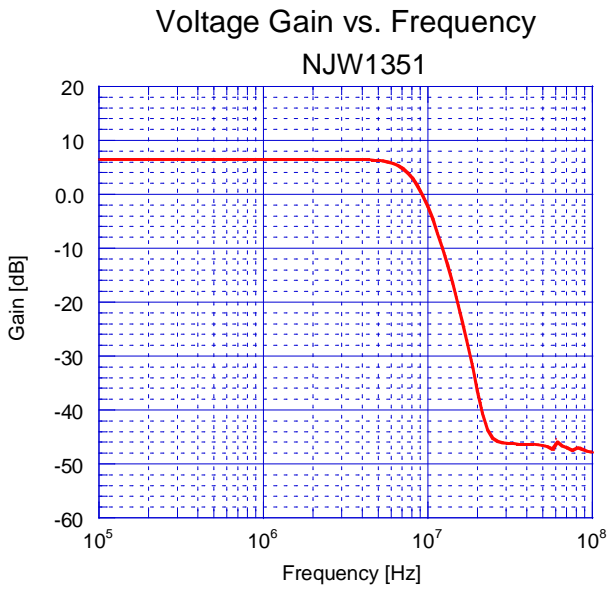
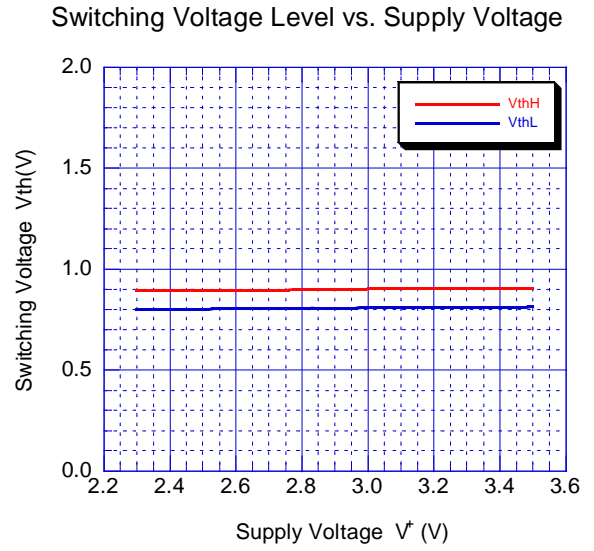
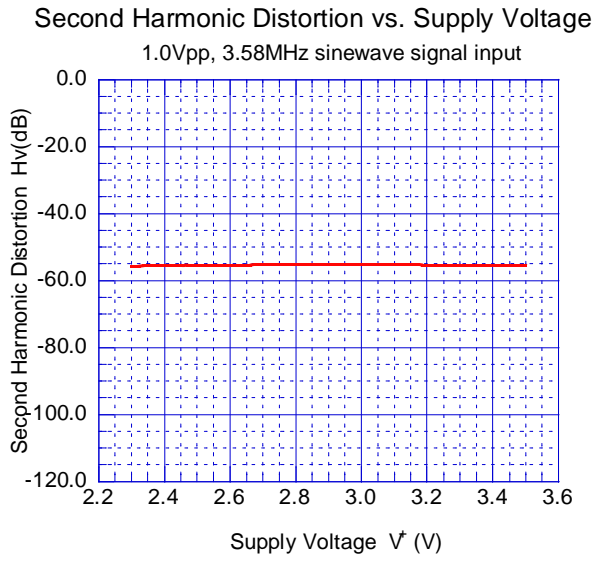
Signal to Noise Ratio vs. Supply Voltage
1.0Vpp, 100% white video signal input



Switching Noise Level vs. Supply Voltage

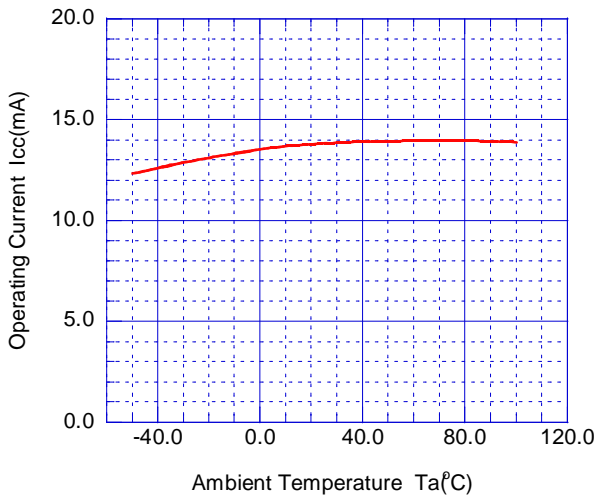


TYPICAL CHARACTERISTICS

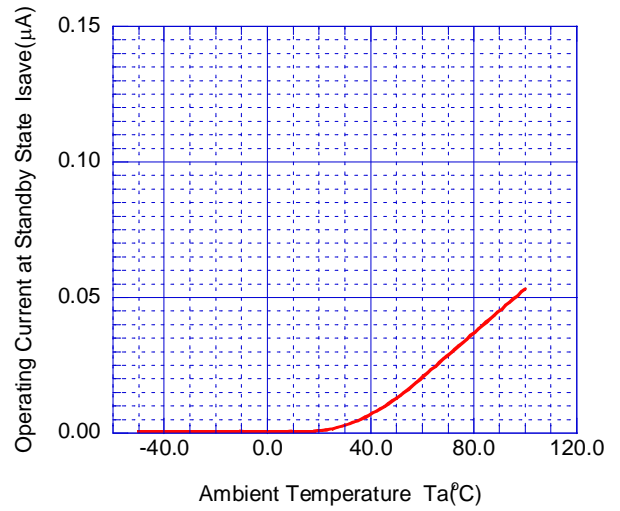


TYPICAL CHARACTERISTICS

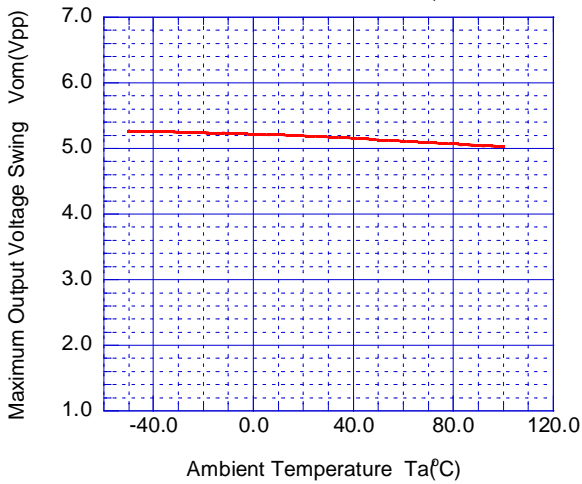
Operating Current vs. Temperature



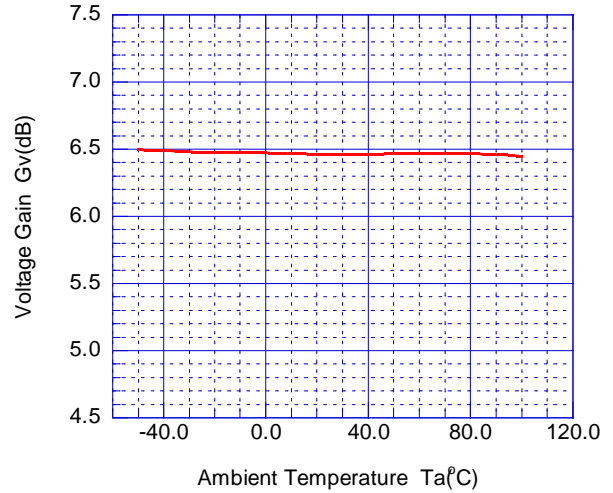
Operating Current at Standby State vs. Temperature



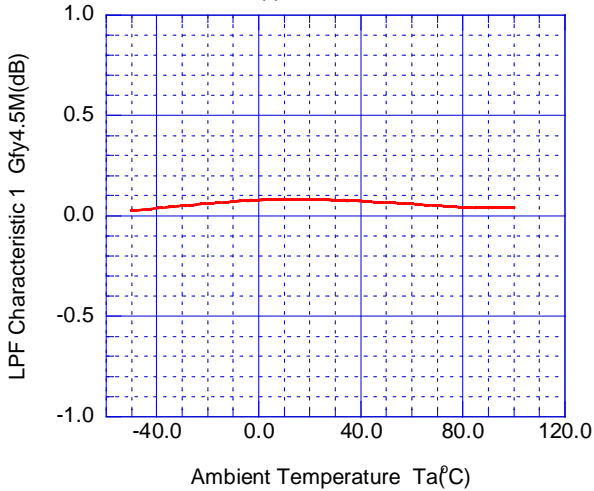
Maximum Output Voltage Swing vs. Temperature
Total Harmonic Distortion=1%, 100kHz



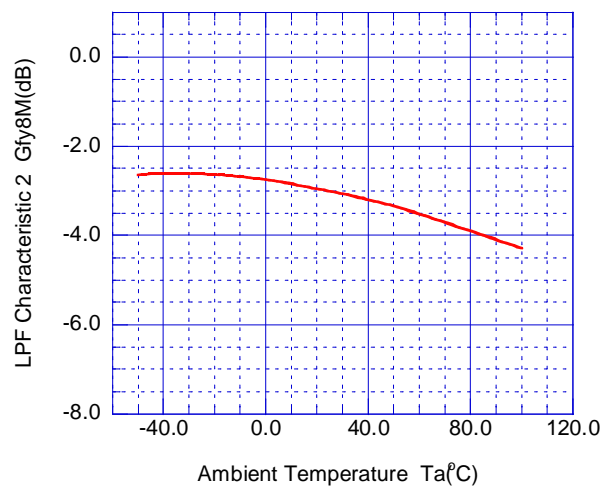
Voltage Gain vs. Temperature
1.0Vpp, 100kHz sinewave signal input



Low Pass Filter Characteristic 1 vs. Temperature
1.0Vpp, 4.5MHz/100kHz



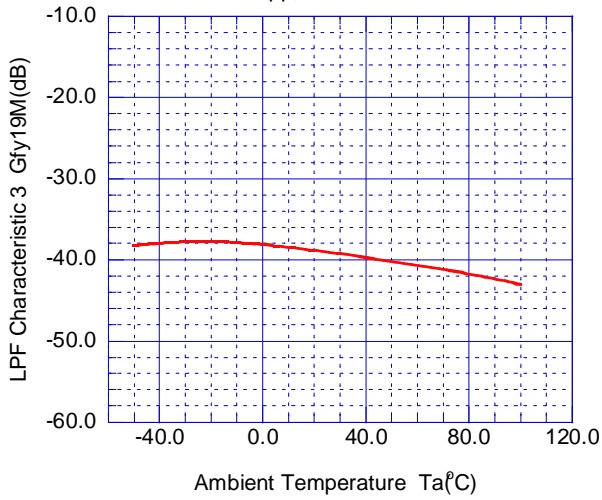
Low Pass Filter Characteristic 2 vs. Temperature
1.0Vpp, 8MHz/100kHz



TYPICAL CHARACTERISTICS

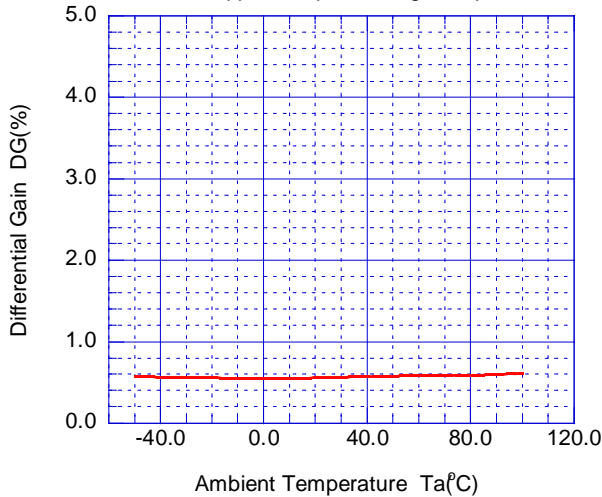
Low Pass Filter Characteristic 3 vs. Temperature

1.0Vpp, 19MHz/100kHz



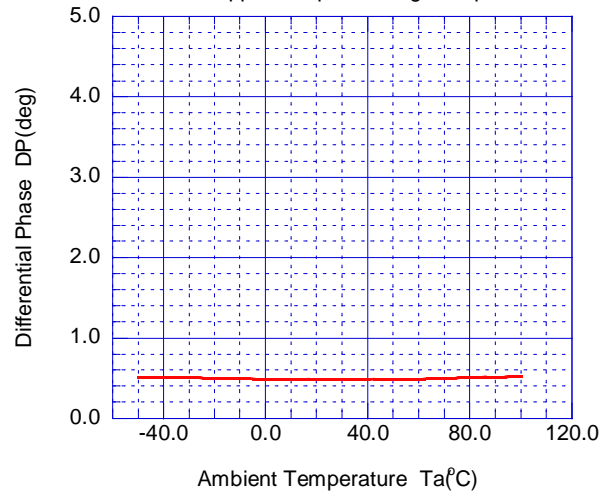
Differential Gain vs. Temperature

1.0Vpp, 10step video signal input



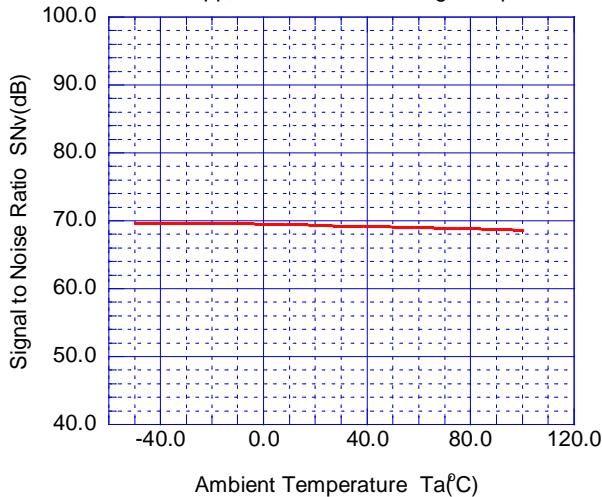
Differential Phase vs. Temperature

0.5Vpp, 10step video signal input

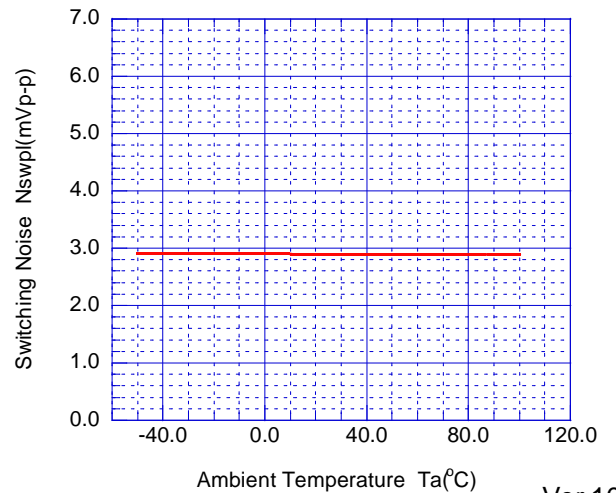


Signal to Noise Ratio vs. Temperature

1.0Vpp, 100% white video signal input



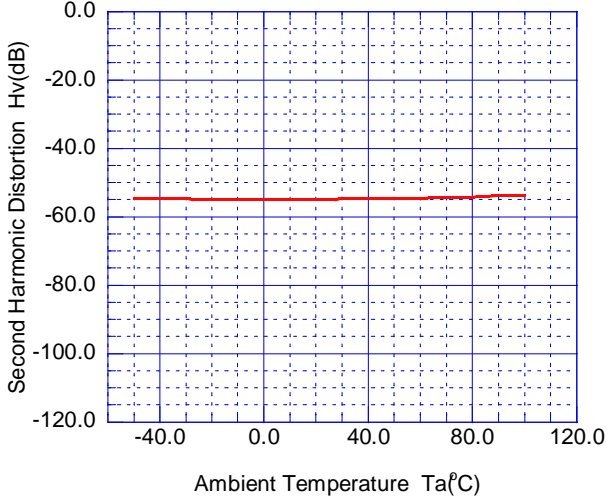
Switching Noise Level vs. Temperature



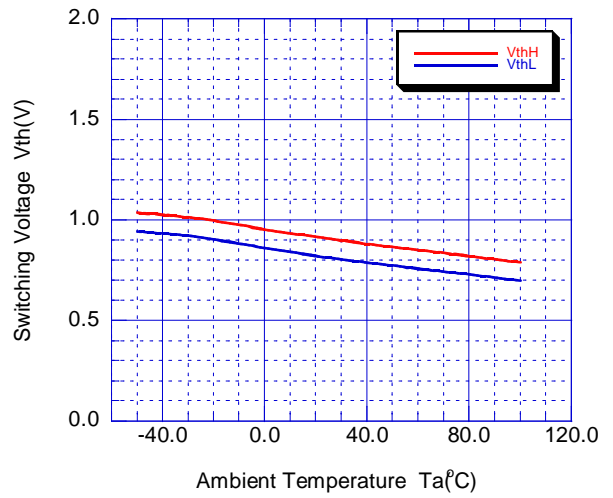
Ver.10

TYPICAL CHARACTERISTICS

Second Harmonic Distortion vs. Temperature
1.0Vpp, 3.58MHz sinewave signal input



Switching Voltage Level vs. Temperature



[CAUTION]
The specifications on this databook are only given for information, without any guarantee as regards either mistakes or omissions. The application circuits in this databook are described only to show representative usages of the product and not intended for the guarantee or permission of any right including the industrial rights.

Mouser Electronics

Authorized Distributor

Click to View Pricing, Inventory, Delivery & Lifecycle Information:

[Nisshinbo Micro Devices:](#)

[NJW1351RB1-TE1](#) [NJW1351KU1-TE3](#)