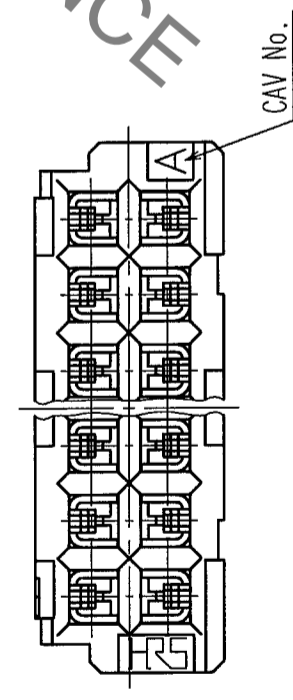
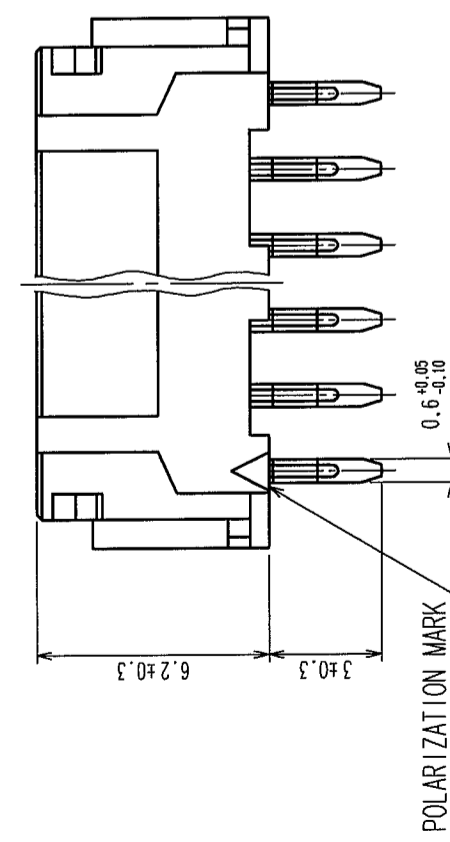
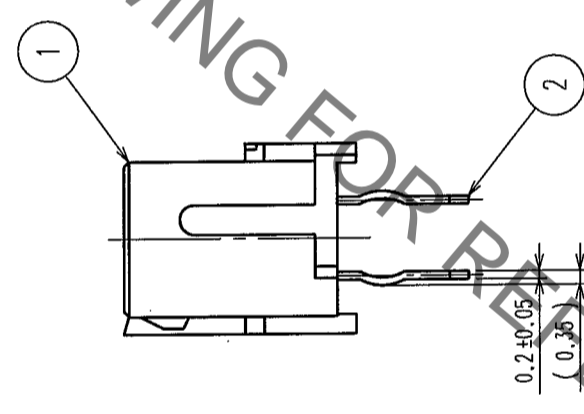
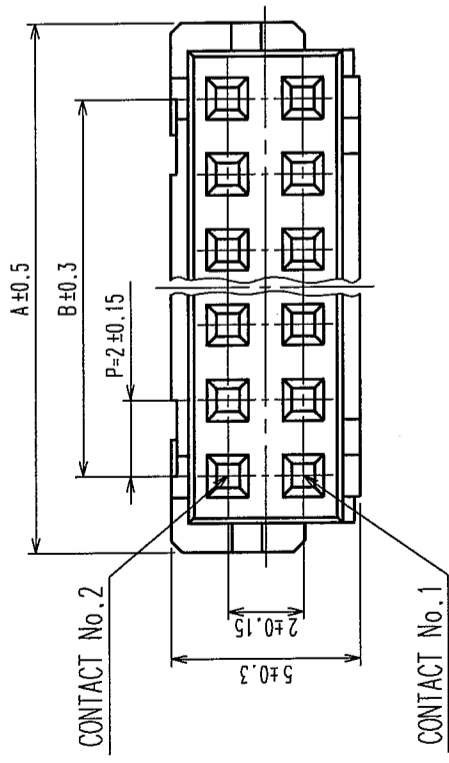


| 5     | 6                        | 7  | 8    |      |
|-------|--------------------------|----|------|------|
| COUNT | DESCRIPTION OF REVISIONS | BY | CHKD | DATE |
| △     |                          |    |      |      |
| △     |                          |    |      |      |
| △     |                          |    |      |      |



| CODE No.      | PART No.           | NUMBER OF CONTACT | A    | B    |
|---------------|--------------------|-------------------|------|------|
| 543-0553-9-05 | DF11-6DS-2DSA(05)  | 6                 | 8.0  | 4.0  |
| 543-0554-4-05 | DF11-8DS-2DSA(05)  | 8                 | 10.0 | 6.0  |
| 543-0555-4-05 | DF11-10DS-2DSA(05) | 10                | 12.0 | 8.0  |
| 543-0556-7-05 | DF11-12DS-2DSA(05) | 12                | 14.0 | 10.0 |
| 543-0557-0-05 | DF11-14DS-2DSA(05) | 14                | 16.0 | 12.0 |
| 543-0558-2-05 | DF11-16DS-2DSA(05) | 16                | 18.0 | 14.0 |
| 543-0559-5-05 | DF11-18DS-2DSA(05) | 18                | 20.0 | 16.0 |
| 543-0560-4-05 | DF11-20DS-2DSA(05) | 20                | 22.0 | 18.0 |
| 543-0561-7-05 | DF11-22DS-2DSA(05) | 22                | 24.0 | 20.0 |
| 543-0562-0-05 | DF11-24DS-2DSA(05) | 24                | 26.0 | 22.0 |
| 543-0563-2-05 | DF11-26DS-2DSA(05) | 26                | 28.0 | 24.0 |
| 543-0564-5-05 | DF11-28DS-2DSA(05) | 28                | 30.0 | 26.0 |
| 543-0565-8-05 | DF11-30DS-2DSA(05) | 30                | 32.0 | 28.0 |
| 543-0566-0-05 | DF11-32DS-2DSA(05) | 32                | 34.0 | 30.0 |

NOTES 1:RECOMMENDED PC BOARD HOLE DIAMETER  $\phi 0.8^{+0.1}_{-0}$   
 2:THE DIMENSION OF PROSITY OF KINK  $\phi 0.8^{+0.05}_{-0}$

| 1                             | POLYAMIDE                | UL94V-0, BLACK                | 2                       | BRASS                | TIN PLATED 2μ m min |
|-------------------------------|--------------------------|-------------------------------|-------------------------|----------------------|---------------------|
| NO.                           | MATERIAL                 | FINISH, REMARKS               | NO.                     | MATERIAL             | FINISH, REMARKS     |
| CODE NO. (OLD)                | DRAWN                    |                               | DESIGNED                | CHECKED              | RELEASED            |
|                               | F. Matsuki<br>'04.03.30  |                               | H. Umemura<br>'04.03.30 | J. Chua<br>'04.03.31 |                     |
| DRAWING NO.<br>EDC3-162401-01 |                          | PART NO.<br>DF11-*DS-2DSA(05) |                         |                      |                     |
| SCALE<br>5 : 1                |                          |                               | CODE NO.<br>CL543-      |                      |                     |
| UNITS<br>mm                   | HIROSE ELECTRIC CO., LTD |                               |                         |                      |                     |

|    |  |  |  |
|----|--|--|--|
| TO |  |  |  |
|----|--|--|--|

# Mouser Electronics

Authorized Distributor

Click to View Pricing, Inventory, Delivery & Lifecycle Information:

[Hirose Electric:](#)

[DF11-12DS-2DSA\(05\)](#)