

612NHH DC Axial Fan

25mm compact low profile fan with high air flow value and minimum noise level. The DC drive employs an electronically commutated external rotor motor with high efficiency. Drive electronics is completely integrated into the fan hub.



Features

- Electronic protection against reverse polarity, blocking and overloading.
- Extremely low EMI.
- Electrical connection via 3 leads AWG 24, TR 64.

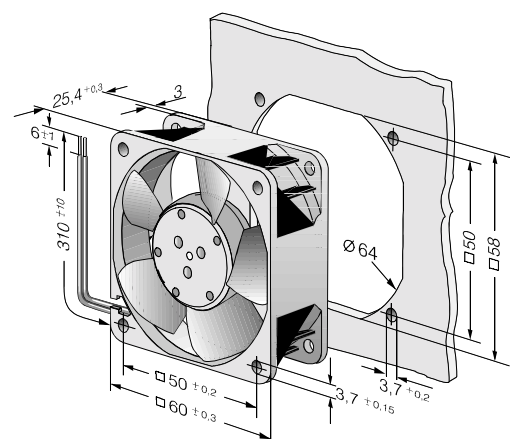
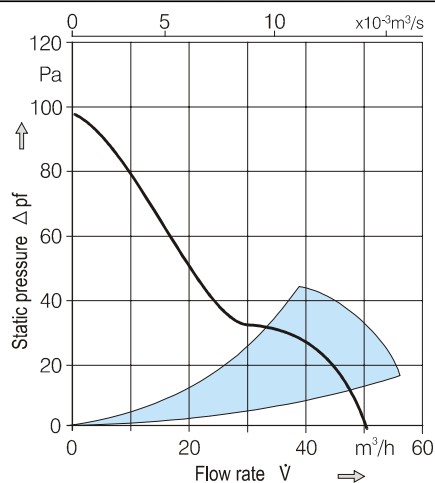
DBPe and DBPe registered

General Data

Nominal voltage	V DC	12
Voltage range	V DC	8...13,2
Nominal speed	min ⁻¹	6350
Max. flow rate	m ³ /h	51
Max. flow rate	CFM	30
Noise free air	dB(A)	41
Current consumption	mA	182
Power consumption	W	2,2
Permanent ambient temperature	°C	-20 ... +70
At max. voltage		
Service life (70 °C)	h	30.000
Service life (40 °C)	h	60.000
Approvals	UL, CSA, VDE	
Fan housing / impeller	PBTP / PA 6.6	
Bearing system	Ball bearing	
Mass	g	85

All data are mean values at nominal voltage.

Subject to technical change.



Mouser Electronics

Authorized Distributor

Click to View Pricing, Inventory, Delivery & Lifecycle Information:

[ebm-papst:](#)

[612NHH](#)